

D-110-40 ✓ ACTIVE

RAYCHEM

TE Internal #: 625134-000

Splices, 28 AWG Wire Size, .08 mm<sup>2</sup> Wire Size, Blue, Length .2 in [5.08 mm], Package, Open, Solid Wire, Discrete Wire, Fully Insulated

[View on TE.com >](#)



Terminals & Splices > Splices



Wire Size: .08 mm<sup>2</sup>

Sealable: No

Compatible Insulation Diameter Range: .53 mm [.021 in]

Primary Product Color: Blue

## Features

### Product Type Features

Sealable	No
Compatible With Discrete Wire Type	Solid

### Configuration Features

Compatible With Wire & Cable Type	Discrete Wire
-----------------------------------	---------------

### Body Features

Insulation Material	Heat Shrink Radiation-Crosslinked Modified Polyvinylidene Fluoride
Product Weight	1 g
Primary Product Color	Blue

### Contact Features

Barrel Type	Open
-------------	------

### Termination Features

Termination Method to Wire & Cable	Solder
------------------------------------	--------

### Mechanical Attachment

Wire Insulation Support	Without
-------------------------	---------

### Dimensions

Wire Size	.08 mm <sup>2</sup>
Compatible Insulation Diameter Range	.53 mm[.021 in]
Product Length	5.08 mm[.2 in]



### Usage Conditions

Insulation Option	Fully Insulated
-------------------	-----------------

### Industry Standards

Government Qualified Splice	No
-----------------------------	----

### Packaging Features

Packaging Quantity	500
Packaging Method	Package

### Product Compliance

[For compliance documentation, visit the product page on TE.com>](#)

EU RoHS Directive 2011/65/EU	Not Compliant
EU ELV Directive 2000/53/EC	Not Compliant
China RoHS 2 Directive MIIT Order No 32, 2016	Restricted Materials Above Threshold
EU REACH Regulation (EC) No. 1907/2006	Current ECHA Candidate List: JAN 2024 (240) Candidate List Declared Against: JAN 2024 (240) SVHC > Threshold: Pb (37% in Solder) <b>Article Safe Usage Statements:</b> Do not eat, drink or smoke when using this product. Wash thoroughly after handling. Recycle if possible and dispose of the article by following all applicable governmental regulations relevant to your geographic location.
Halogen Content	Low Bromine/Chlorine - Br and Cl < 900 ppm per homogenous material. Also BFR /CFR/PVC Free
Solder Process Capability	Not applicable for solder process capability

#### Product Compliance Disclaimer

This information is provided based on reasonable inquiry of our suppliers and represents our current actual knowledge based on the information they provided. This information is subject to change. The part numbers that TE has identified as EU RoHS compliant have a maximum concentration of 0.1% by weight in homogenous materials for lead, hexavalent chromium, mercury, PBB, PBDE, DBP, BBP, DEHP, DIBP, and 0.01% for cadmium, or qualify for an exemption to these limits as defined in the Annexes of Directive 2011/65/EU (RoHS2). Finished electrical and electronic equipment products will be CE marked as required by Directive 2011/65/EU. Components may not be CE marked. Additionally, the part numbers that TE has identified as EU ELV compliant have a maximum concentration of 0.1% by weight in homogenous materials for lead, hexavalent chromium, and mercury, and 0.01% for cadmium, or qualify for an exemption to these limits as defined in the Annexes of Directive 2000/53/EC (ELV). Regarding the REACH Regulation, the information TE provides on SVHC in articles for this part number is based on the latest European Chemicals Agency (ECHA) 'Guidance on requirements for substances in articles' posted at this URL: <https://echa.europa.eu/guidance-documents/guidance-on-reach>

### Compatible Parts

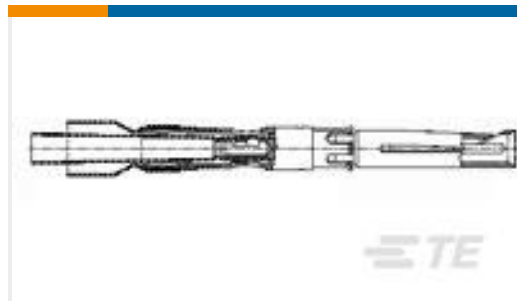


TE Part # EG8162-000  
HL1920E-230V-EURO

## Customers Also Bought



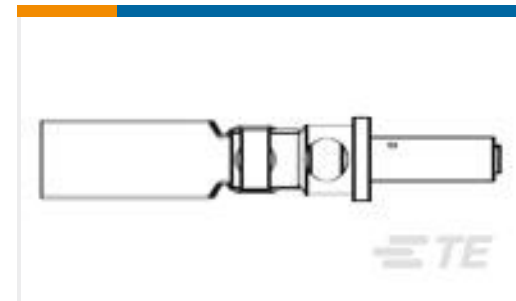
TE Part # 8-2176070-4  
3521 30K 1% 2W



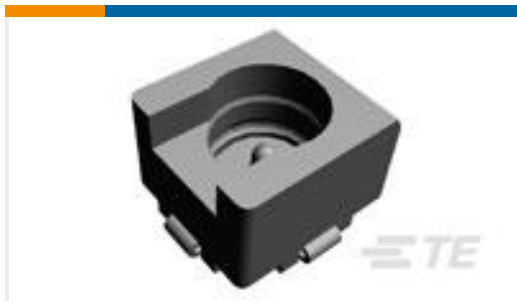
TE Part # 601036-000  
D-602-45



TE Part # 1625854-3  
0603 PROBE PAD



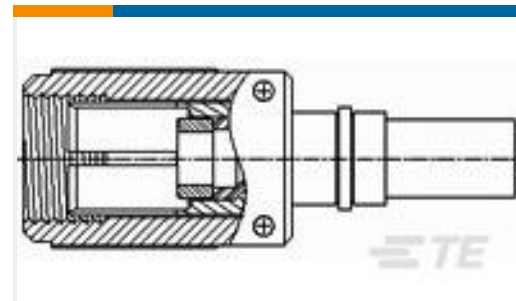
TE Part # 601035-000  
D-602-44



TE Part # 1055692-1  
2367 5016 54 OSMT PLUG,2500/RL



TE Part # CB3127-000  
D-1744-03-LF



TE Part # 228389-000  
DK-621-0411



TE Part # 751921-000  
AT099-26



TE Part # 321828  
TERMINAL,SOLIS R 14-12 10

## Documents

### Product Drawings

[D-110-40](#)

English

### Datasheets & Catalog Pages

[1654025\\_Sec8\\_B-155\\_CWT\\_D-110\\_D-1744](#)

English