



Wire Protection & Management > Interconnect Devices > SolderSleeve Shield Terminators



Operating Temperature (Max): 150 °C

Expanded Inside Diameter (Min): 4.57 mm [.18 in]

Recovered Inside Diameter (Max): 2.54 mm [.1 in]

Pre-Installed Lead: No

Wire Temperature (Max): 125 °C

Features

Configuration Features

Pre-Installed Lead	No
--------------------	----

Dimensions

Expanded Inside Diameter (Min)	4.57 mm [.18 in]
Recovered Inside Diameter (Max)	2.54 mm [.1 in]

Usage Conditions

Operating Temperature (Max)	150 °C
Wire Temperature (Max)	125 °C

Product Compliance

[For compliance documentation, visit the product page on TE.com>](#)

EU RoHS Directive 2011/65/EU	Not Compliant
EU ELV Directive 2000/53/EC	Not Compliant
China RoHS 2 Directive MIIT Order No 32, 2016	Restricted Materials Above Threshold
EU REACH Regulation (EC) No. 1907/2006	Current ECHA Candidate List: JUNE 2024 (241) Candidate List Declared Against: JAN 2024 (240) SVHC > Threshold: Pb (37% in Solder)

Article Safe Usage Statements:
Do not eat, drink or smoke when using this product. Wash thoroughly after handling. Recycle if possible and dispose of the article by following all applicable governmental regulations relevant to your geographic location.



Halogen Content	Low Bromine/Chlorine - Br and Cl < 900 ppm per homogenous material. Also BFR /CFR/PVC Free
Solder Process Capability	Not applicable for solder process capability

Product Compliance Disclaimer

This information is provided based on reasonable inquiry of our suppliers and represents our current actual knowledge based on the information they provided. This information is subject to change. The part numbers that TE has identified as EU RoHS compliant have a maximum concentration of 0.1% by weight in homogenous materials for lead, hexavalent chromium, mercury, PBB, PBDE, DBP, BBP, DEHP, DIBP, and 0.01% for cadmium, or qualify for an exemption to these limits as defined in the Annexes of Directive 2011/65/EU (RoHS2). Finished electrical and electronic equipment products will be CE marked as required by Directive 2011/65/EU. Components may not be CE marked. Additionally, the part numbers that TE has identified as EU ELV compliant have a maximum concentration of 0.1% by weight in homogenous materials for lead, hexavalent chromium, and mercury, and 0.01% for cadmium, or qualify for an exemption to these limits as defined in the Annexes of Directive 2000/53/EC (ELV). Regarding the REACH Regulation, the information TE provides on SVHC in articles for this part number is based on the latest European Chemicals Agency (ECHA) 'Guidance on requirements for substances in articles' posted at this URL: <https://echa.europa.eu/guidance-documents/guidance-on-reach>

Compatible Parts

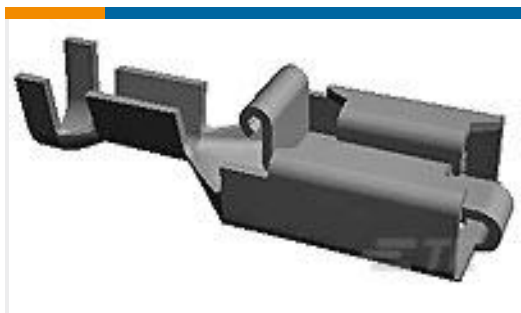


TE Part # EG8162-000
HL1920E-230V-EURO

Customers Also Bought



TE Part #1577626-1
TERMINAL RT PIDG PEEK STRATO 20 AWG



TE Part #1-160773-0
PL 250 REC TERMINAL 20-15 NIPPB LP



TE Part #1577620-1
TERMINAL RT PIDG PEEK STRATO 24-22 AWG



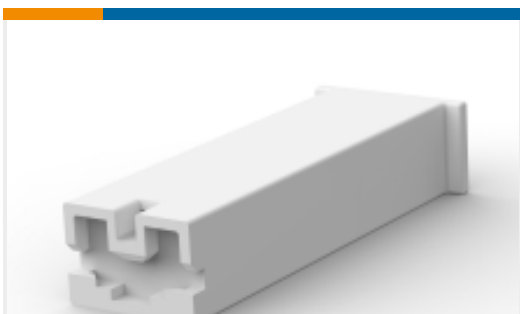
TE Part #1546551-4
4P, STRAIGHT, SIDE ENTRY, 3.5MM



TE Part #1-163035-0
6P.MATE-N-LOK HSG



TE Part #323170
TERMINAL,SOLIS R HR 6 1/4



TE Part #928083-1
PL 187 REC HSG 1P NYLON NAT



TE Part #ZPF0000000000001880
174-0014-20



Documents

Product Drawings

D-101-31

English

Product Specifications

Product Specification

English