

SETR12AI-TINEL-LOCK-RING

✓ ACTIVE

RAYCHEM

TE Internal #: CZ3660-000

Screened Backshells & Adapters, Tinel-Lock Ring, 36 Single

[View on TE.com >](#)



Connectors > Connector Backshells & Adapters > Screened Backshells & Adapters



Termination Device Type: **Tinel-Lock Ring**

Braid Type: **36 Single**

Features

Product Type Features

Termination Device Type	Tinel-Lock Ring
-------------------------	-----------------

Configuration Features

Braid Type	36 Single
------------	-----------

Product Compliance

[For compliance documentation, visit the product page on TE.com>](#)

EU RoHS Directive 2011/65/EU	Compliant
EU ELV Directive 2000/53/EC	Compliant
China RoHS 2 Directive MIIT Order No 32, 2016	No Restricted Materials Above Threshold
EU REACH Regulation (EC) No. 1907/2006	Current ECHA Candidate List: JAN 2023 (233) Candidate List Declared Against: JUNE 2022 (224) Does not contain REACH SVHC
Halogen Content	Low Halogen - Br, Cl, F, I < 900 ppm per homogenous material. Also BFR/CFR/PVC Free
Solder Process Capability	Not applicable for solder process capability

Product Compliance Disclaimer

This information is provided based on reasonable inquiry of our suppliers and represents our current actual knowledge based on the information they provided. This information is subject to change. The part numbers that TE has identified as EU RoHS compliant have a maximum concentration of 0.1% by weight in homogenous materials for lead, hexavalent chromium, mercury, PBB, PBDE, DBP, BBP, DEHP, DIBP, and 0.01% for cadmium, or qualify for an exemption to these limits as defined in the Annexes of Directive 2011/65/EU (RoHS2). Finished electrical and electronic equipment products will be CE marked as required by Directive 2011/65/EU. Components may not be CE marked. Additionally, the part numbers that TE has identified as EU ELV compliant have a maximum concentration of 0.1% by weight in homogenous materials for lead, hexavalent chromium, and mercury, and 0.01% for cadmium, or qualify for an exemption to these limits as defined in the Annexes of Directive 2000/53/EC (ELV). Regarding the REACH Regulation, the information TE provides

on SVHC in articles for this part number is based on the latest European Chemicals Agency (ECHA) 'Guidance on requirements for substances in articles' posted at this URL: <https://echa.europa.eu/guidance-documents/guidance-on-reach>

Compatible Parts



TE Part # 173643-000
RH-3960-1-TINEL-KIT-120V



TE Part # EM4242-000
STXR40SJ90-1412AI



TE Part # EL9975-000
STXR54AC90-1212AI



TE Part # AAG3706-00
TXR40AZ00-1412AI



TE Part # AAF2639-00
TXR40AZ45-1412AI



TE Part # AAF2636-00
TXR40AZ45-2012AI



TE Part # AAG4530-00
TXR54AZ00-1812AI



TE Part # AAG4535-00
TXR54AZ00-3212AI



TE Part # EP0833-000
TXR58AB90-2012AI

Customers Also Bought



TE Part #DT04-2P
REC, 2P, GRY, N



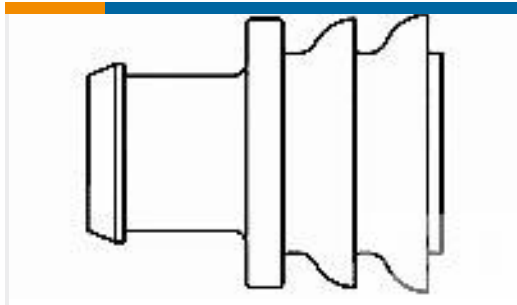
TE Part #W2S
DEUTSCH DT Wedgelocks



TE Part #0460-202-16141
DEUTSCH Solid Contacts



TE Part #282104-1
AMP SUPERSEAL 1.5MM,
CONNECTOR HOUSING



TE Part #281934-2
SINGLE WIRE SEAL



TE Part #DT06-2S
PLG, 2P, GRY, N



TE Part #114017-ZZ
SEALING PLUG, SIZE 12/16, WHT

Documents

Product Drawings

[SETR12AI-SIDE-ENTRY-TINEL-LOCK-RING](#)

English

Datasheets & Catalog Pages

[Circular Backshells](#)

English

Product Specifications

[General Information Package for Tinel-Lock Adapters](#)

English

[Assembly Guide for Raychem Side Entry Tinel-Lock Rings, Heat Recoverable for Braid Termination](#)

English