

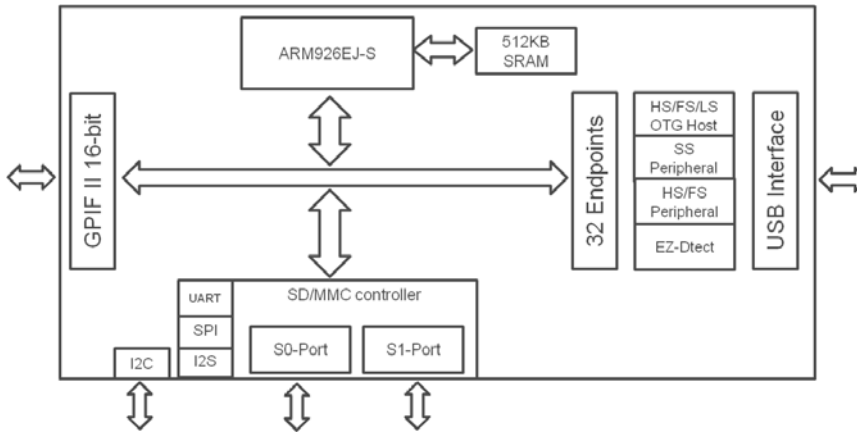
## Features

- Universal serial bus (USB) integration
  - USB 3.0 and USB 2.0 peripherals compliant with USB 3.0 specification 1.0
  - 5-Gbps USB 3.0 PHY compliant with PIPE 3.0
  - High-speed On-The-Go (HS-OTG) host and peripheral compliant with OTG Supplement Version 2.0
  - Thirty-two physical endpoints
  - Support for battery charging Spec 1.1 and accessory charger adaptor (ACA) detection
- General Programmable Interface (GPIF<sup>™</sup> II)
  - Programmable 100-MHz GPIF II enables connectivity to a wide range of external devices
  - 8- and 16-bit data bus
  - As many as 16 configurable control signals
- Mass storage support
  - SD 3.0 (SDXC) UHS-1
  - eMMC 4.41
  - Two ports that can support memory card sizes up to 2TB
  - Built-in RAID with support for RAID0 and RAID1
- System I/O expansion with two secure digital I/O (SDIO 3.0) ports
- Support for USB-attached storage (UAS), mass-storage class (MSC), human interface device (HID), full, and Turbo-MTP<sup>™</sup>
- Fully accessible 32-bit CPU
  - ARM926EJ core with 200-MHz operation
  - 512-KB or 256-KB embedded SRAM
- Additional connectivity to the following peripherals
  - I<sup>2</sup>C master controller at 1 MHz
  - I<sup>2</sup>S master (transmitter only) at sampling frequencies of 32 kHz, 44.1 kHz, and 48 kHz
  - UART support of up to 4 Mbps
  - SPI master at 33 MHz
- Selectable clock input frequencies
  - 19.2, 26, 38.4, and 52 MHz
- 19.2-MHz crystal input support
- Ultra low-power in core power-down mode
  - Less than 60  $\mu$ A with VBATT on
  - 20  $\mu$ A with VBATT off
- Independent power domains for core and I/O
  - Core operation at 1.2 V
  - I<sup>2</sup>S, UART, and SPI operation at 1.8 to 3.3 V
  - I<sup>2</sup>C operation at 1.2 V
- 10-mm  $\times$  10-mm, 0.8-mm pitch Pb-free ball grid array (BGA) package
- EZ-USB<sup>®</sup> software and development kit (DVK) for easy code development

## Applications

- Digital video camcorders
- Digital still cameras
- Printers
- Scanners
- Video capture cards
- Test and measurement equipment
- Surveillance cameras
- Personal navigation devices
- Medical imaging devices
- Video IP phones
- Portable media players
- Industrial cameras
- RAID controller
- USB Disk on Module

**Logic Block Diagram**



**Contents**

<b>Functional Overview</b> .....	<b>4</b>	<b>Configuration Options</b> .....	<b>15</b>
Application Examples .....	4	<b>Digital I/Os</b> .....	<b>15</b>
<b>USB Interface</b> .....	<b>5</b>	<b>GPIOs</b> .....	<b>15</b>
OTG .....	5	<b>System-level ESD</b> .....	<b>15</b>
ReNumeration .....	6	<b>Pin Description</b> .....	<b>16</b>
EZ-Dtect .....	6	<b>Absolute Maximum Ratings</b> .....	<b>20</b>
VBUS Overvoltage Protection .....	6	<b>Operating Conditions</b> .....	<b>20</b>
Carkit UART Mode .....	6	<b>DC Specifications</b> .....	<b>20</b>
<b>Host Processor Interface (P-Port)</b> .....	<b>7</b>	<b>AC Timing Parameters</b> .....	<b>22</b>
GPIF II .....	7	GPIF II Timing .....	22
Slave FIFO interface .....	7	Asynchronous SRAM Timing .....	25
Asynchronous SRAM .....	7	ADMux Timing for Asynchronous Access .....	28
Asynchronous Address/Data Multiplexed .....	8	Synchronous ADMux Timing .....	30
Synchronous ADMux Interface .....	8	Slave FIFO Interface .....	33
Processor MMC (PMMC) Slave Interface .....	8	Synchronous Slave FIFO .....	
<b>CPU</b> .....	<b>9</b>	Write Sequence Description .....	34
<b>Storage Port (S-Port)</b> .....	<b>9</b>	Asynchronous Slave FIFO .....	
SD/MMC Clock Stop .....	9	Read Sequence Description .....	35
SD_CLK Output Clock Stop .....	9	Asynchronous Slave FIFO .....	
Card Insertion and Removal Detection .....	10	Write Sequence Description .....	36
Write Protection (WP) .....	10	Storage Port Timing .....	39
SDIO Interrupt .....	10	Serial Peripherals Timing .....	42
SDIO Read-Wait Feature .....	10	<b>Reset Sequence</b> .....	<b>47</b>
<b>JTAG Interface</b> .....	<b>10</b>	<b>Package Diagram</b> .....	<b>48</b>
<b>Other Interfaces</b> .....	<b>10</b>	<b>Ordering Information</b> .....	<b>49</b>
UART Interface .....	10	Ordering Code Definitions .....	49
I2C Interface .....	10	<b>Acronyms</b> .....	<b>50</b>
I2S Interface .....	10	<b>Document Conventions</b> .....	<b>50</b>
SPI Interface .....	10	Units of Measure .....	50
<b>Boot Options</b> .....	<b>11</b>	<b>Document History Page</b> .....	<b>51</b>
<b>Reset</b> .....	<b>11</b>	<b>Sales, Solutions, and Legal Information</b> .....	<b>52</b>
Hard Reset .....	11	Worldwide Sales and Design Support .....	52
Soft Reset .....	11	Products .....	52
<b>Clocking</b> .....	<b>11</b>	PSoC® Solutions .....	52
32-kHz Watchdog Timer Clock Input .....	12	Cypress Developer Community .....	52
<b>Power</b> .....	<b>12</b>	Technical Support .....	52
Power Modes .....	12		

## Functional Overview

Cypress's EZ-USB FX3S is the next-generation USB 3.0 peripheral controller, providing integrated and flexible features. FX3S has a fully configurable, parallel, general programmable interface called GPIF II, which can connect to any processor, ASIC, or FPGA. GPIF II is an enhanced version of the GPIF in FX2LP, Cypress's flagship USB 2.0 product. It provides easy and glueless connectivity to popular interfaces, such as asynchronous SRAM, asynchronous and synchronous address data multiplexed interfaces, and parallel ATA. FX3S has integrated the USB 3.0 and USB 2.0 physical layers (PHYs) along with a 32-bit ARM926EJ-S microprocessor for powerful data processing and for building custom applications. It implements an architecture that enables 185-Mbps data transfer from GPIF II to the USB interface.

FX3S features an integrated storage controller and can support up to two independent mass storage devices on its storage ports. It can support SD 3.0 and eMMC 4.41 memory cards. It can also support SDIO 3.0 on these ports. FX3 has built in RAID with support for RAID 0 and RAID 1 using either SD or eMMC.

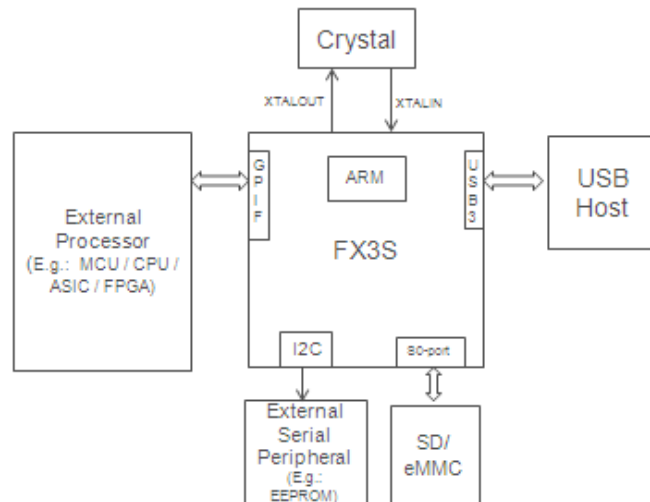
An integrated USB 2.0 OTG controller enables applications in which FX3S may serve dual roles; for example, EZ-USB FX3S may function as an OTG Host to MSC as well as HID-class devices. FX3S contains 512 KB or 256 KB of on-chip SRAM for code and data. EZ-USB FX3S also provides interfaces to connect to serial peripherals such as UART, SPI, I<sup>2</sup>C, and I2S. FX3S comes with application development tools. The software development kit comes with application examples for accelerating time to market.

FX3S complies with the USB 3.0 v1.0 specification and is also backward compatible with USB 2.0. It also complies with the Battery Charging Specification v1.1 and USB 2.0 OTG Specification v2.0.

### Application Examples

In a typical application (see Figure 1), FX3S functions as a coprocessor and connects to an external processor, which manages system-level functions. Figure 2 shows a typical application diagram when FX3S functions as the main processor.

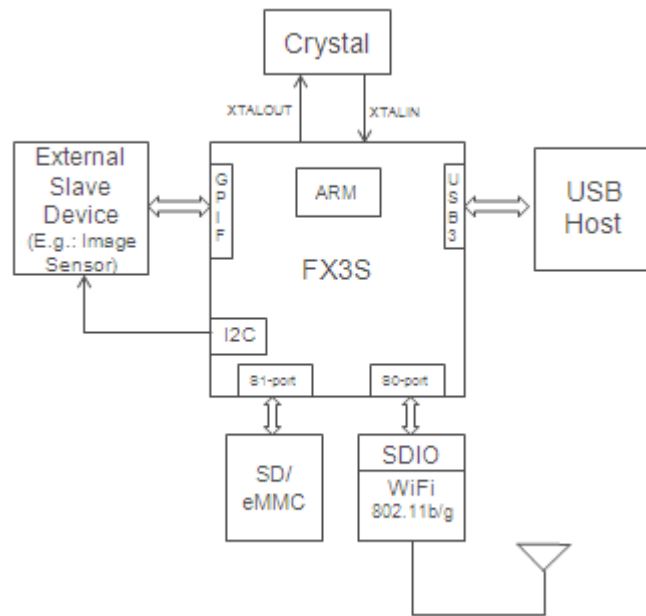
Figure 1. EZ-USB FX3S as a Coprocessor



**Note**

1. Assuming that GPIF II is configured for a 16-bit data bus (available with certain part numbers; see [Ordering Information](#) on page 49), synchronous interface operating at 100 MHz. This number also includes protocol overheads.

Figure 2. EZ-USB FX3S as Main Processor



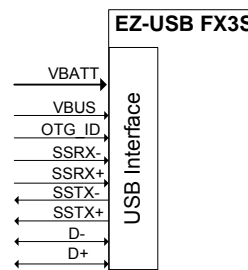
## USB Interface

FX3S complies with the following specifications and supports the following features:

- Supports USB peripheral functionality compliant with the USB 3.0 Specification Revision 1.0 and is also backward compatible with the USB 2.0 Specification.
- Complies with OTG Supplement Revision 2.0. It supports High-Speed, Full-Speed, and Low-Speed OTG dual-role device capability. As a peripheral, FX3S is capable of SuperSpeed, High-Speed, and Full-Speed. As a host, it is capable of High-Speed, Full-Speed, and Low-Speed.
- Supports CarKit Pass-Through UART functionality on USB D+/D- lines based on the CEA-936A specification.
- Supports up to 16 IN and 16 OUT endpoints.
- Supports the USB 3.0 Streams feature. It also supports USB Attached SCSI (UAS) device-class to optimize mass-storage access performance.
- As a USB peripheral, FX3S supports UAS, USB Video Class (UVC), Mass Storage Class (MSC), and Media Transfer Protocol (MTP) USB peripheral classes. As a USB peripheral, all other device classes are supported only in the pass-through mode when handled entirely by a host processor external to the device.
- As an OTG host, FX3S supports MSC and HID device classes.

**Note** When the USB port is not in use, disable the PHY and transceiver to save power.

Figure 3. USB Interface Signals



## OTG

FX3S is compliant with the OTG Specification Revision 2.0. In the OTG mode, FX3S supports both A and B device modes and supports Control, Interrupt, Bulk, and Isochronous data transfers.

FX3S requires an external charge pump (either standalone or integrated into a PMIC) to power VBUS in the OTG A-device mode.

The Target Peripheral List for OTG host implementation consists of MSC- and HID-class devices.

FX3S does not support Attach Detection Protocol (ADP).

**OTG Connectivity**

In OTG mode, FX3S can be configured to be an A, B, or dual-role device. It can connect to the following:

- ACA device
- Targeted USB peripheral
- SRP-capable USB peripheral
- HNP-capable USB peripheral
- OTG host
- HNP-capable host
- OTG device

**ReNumeration**

Because of FX3S’s soft configuration, one chip can take on the identities of multiple distinct USB devices.

When first plugged into USB, FX3S enumerates automatically with the Cypress Vendor ID (0x04B4) and downloads firmware and USB descriptors over the USB interface. The downloaded firmware executes an electrical disconnect and connect. FX3S enumerates again, this time as a device defined by the downloaded information. This patented two-step process, called ReNumeration, happens instantly when the device is plugged in.

**EZ-Dtect**

FX3S supports USB Charger and accessory detection (EZ-Dtect). The charger detection mechanism complies with the Battery Charging Specification Revision 1.1. In addition to supporting this version of the specification, FX3S also provides hardware support to detect the resistance values on the ID pin.

FX3S can detect the following resistance ranges:

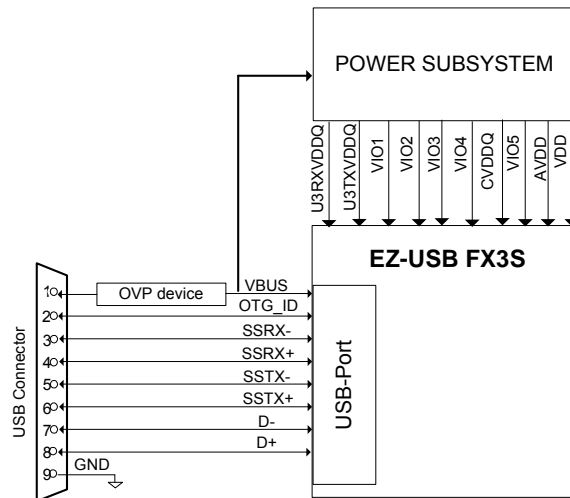
- Less than 10 Ω
- Less than 1 kΩ
- 65 kΩ to 72 kΩ
- 35 kΩ to 39 kΩ
- 99.96 kΩ to 104.4 kΩ (102 kΩ ± 2%)
- 119 kΩ to 132 kΩ
- Higher than 220 kΩ
- 431.2 kΩ to 448.8 kΩ (440 kΩ ± 2%)

FX3S’s charger detects a dedicated wall charger, Host/Hub charger, and Host/Hub.

**VBUS Overvoltage Protection**

The maximum input voltage on FX3S’s VBUS pin is 6 V. A charger can supply up to 9 V on VBUS. In this case, an external overvoltage protection (OVP) device is required to protect FX3S from damage on VBUS. Figure 4 shows the system application diagram with an OVP device connected on VBUS. Refer to Table for the operating range of VBUS and VBATT.

**Figure 4. System Diagram with OVP Device For VBUS**



**Carkit UART Mode**

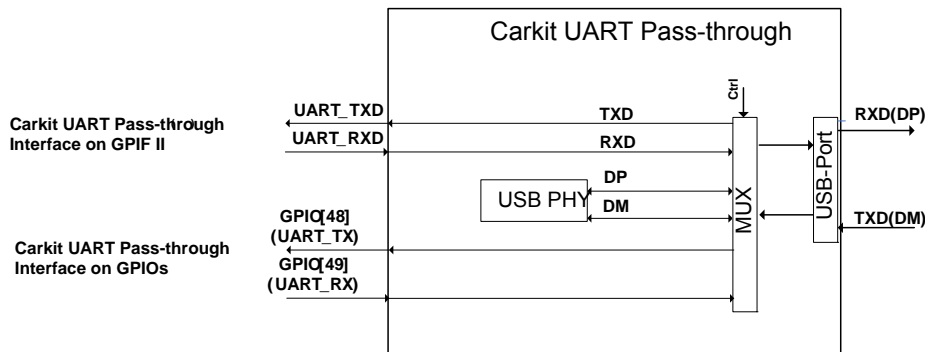
The USB interface supports the Carkit UART mode (UART over D+/D-) for non-USB serial data transfer. This mode is based on the CEA-936A specification.

In the Carkit UART mode, the output signaling voltage is 3.3 V. When configured for the Carkit UART mode, TXD of UART (output) is mapped to the D- line, and RXD of UART (input) is mapped to the D+ line.

In the Carkit UART mode, FX3S disables the USB transceiver and D+ and D- pins serve as pass-through pins to connect to the UART of the host processor. The Carkit UART signals may be routed to the GPIF II interface or to GPIO[48] and GPIO[49], as shown in Figure 5 on page 7.

In this mode, FX3S supports a rate of up to 9600 bps.

Figure 5. Carkit UART Pass-through Block Diagram



### Host Processor Interface (P-Port)

A configurable interface enables FX3S to communicate with various devices such as Sensor, FPGA, Host Processor, or a Bridge chip. FX3S supports the following P-Port interfaces.

- GPIF II (16-bit)
- Slave FIFO Interface
- 16-bit Asynchronous SRAM Interface
- 16-bit Asynchronous address/data multiplexed (ADMux) Interface
- 16-bit Synchronous address/data multiplexed (ADMux) Interface
- Processor MMC slave Interface compatible with MMC System specification, MMCA Technical Committee, Version 4.2 with eMMC 4.3 and 4.4 Pass-Through boot

The following sections describe these P-Port interfaces.

### GPIF II

The high-performance GPIF II interface enables functionality similar to, but more advanced than, FX2LP's GPIF and Slave FIFO interfaces.

The GPIF II is a programmable state machine that enables a flexible interface that may function either as a master or slave in industry-standard or proprietary interfaces. Both parallel and serial interfaces may be implemented with GPIF II.

Here are a list of GPIF II features:

- Functions as master or slave
- Provides 256 firmware programmable states
- Supports 8-bit and 16-bit parallel data bus
- Enables interface frequencies up to 100 MHz
- Supports 16 configurable control pins when a 16/8 data bus is used. All control pins can be either input/output or bi-directional.

GPIF II state transitions are based on control input signals. The control output signals are driven as a result of the GPIF II state transitions. The INT# output signal can be controlled by GPIF II. Refer to the GPIFII Designer tool. The GPIF II state machine's behavior is defined by a GPIF II descriptor. The GPIF II descriptor is designed such that the required interface

specifications are met. 8 kB of memory (separate from the 512 kB of embedded SRAM) is dedicated to the GPIF II waveform where the GPIF II descriptor is stored in a specific format.

Cypress's GPIF II Designer Tool enables fast development of GPIF II descriptors and includes examples for common interfaces.

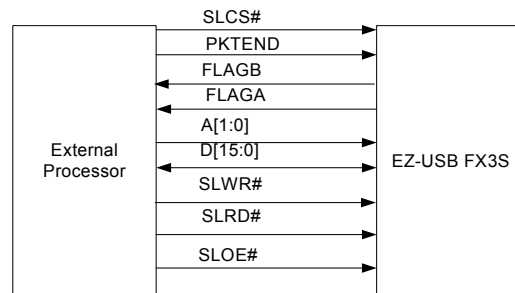
Example implementations of GPIF II are the asynchronous slave FIFO and synchronous slave FIFO interfaces.

### Slave FIFO interface

The Slave FIFO interface signals are shown in Figure 6. This interface allows an external processor to directly access up to four buffers internal to FX3S. Further details of the Slave FIFO interface are described on page 33.

**Note** Access to all 32 buffers is also supported over the slave FIFO interface. For details, contact Cypress Applications Support.

Figure 6. Slave FIFO Interface



Note: Multiple Flags may be configured.

### Asynchronous SRAM

This interface consists of standard asynchronous SRAM interface signals as shown in Figure 7 on page 8. This interface is used to access both the configuration registers and buffer memory of FX3S. Both single-cycle and burst accesses are supported by asynchronous interface signals.

The most significant address bit, A[7], determines whether the configuration registers or buffer memory are accessed. When the configuration registers are selected by asserting the address bit A[7], the address bus bits A[6:0] point to a configuration

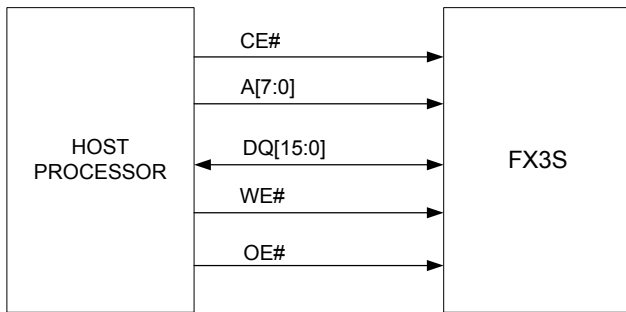
register. When A[7] is deasserted, the buffer memory is accessed as indicated by the P-Port DMA transfer register and the transfer size is determined by the P-Port DMA transfer size register.

Application processors with a DMA controller that use address auto-increment during DMA transfers, can override this by connecting any higher-order address line (such as A[15]/A[23]/A[31]) of the application processor to FX3S's A[7].

In the asynchronous SRAM mode, when reading from a buffer memory, FX3S supports two methods of reading out next data from the buffer. The next data may be read out on the rising edge of OE# or by toggling the least significant address bit A[0].

In this mode, the P-Port interface works with a 32.5-ns minimum access cycle providing an interface data rate of up to 61.5 MB per second.

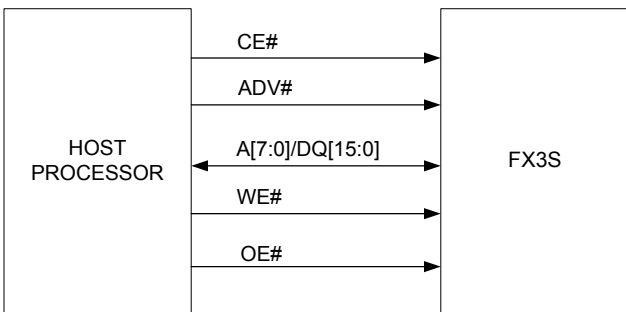
**Figure 7. Asynchronous SRAM Interface**



**Asynchronous Address/Data Multiplexed**

The physical ADMux memory interface consists of signals shown in Figure 8. This interface supports processors that implement a multiplexed address/data bus.

**Figure 8. ADMux Memory Interface**



FX3S's ADMux interface supports a 16-bit time-multiplexed address/data SRAM bus.

For read operations, assert both CE# and OE#.

For write operations, assert both CE# and WE#. OE# is "Don't Care" during a write operation (during both address and data phase of the write cycle). The input data is latched on the rising edge of WE# or CE#, whichever occurs first. Latch the addresses prior to the write operation by toggling Address Valid (ADV#).

Assert Address Valid (ADV#) during the address phase of the write operation, as shown in Figure 19 on page 28.

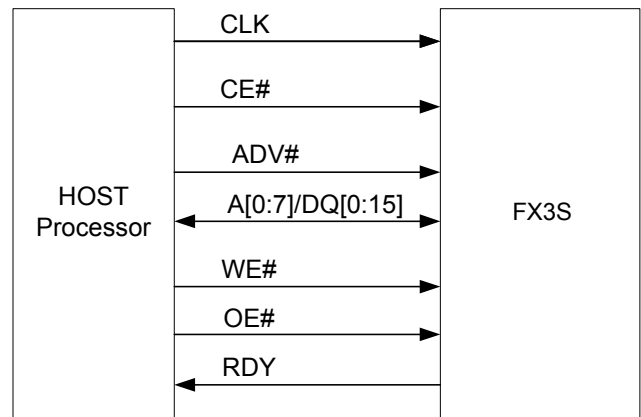
ADV# must be LOW during the address phase of a read/write operation. ADV# must be HIGH during the data phase of a read/write operation, as shown in Figure 18 and Figure 19 on page 28.

**Synchronous ADMux Interface**

FX3S's P-Port supports a synchronous address/data multiplexed interface. This operates at an interface frequency of up to 100 MHz and supports a 16-bit data bus.

The RDY output signal from the FX3S device indicates a data valid for read transfers and is acknowledged for write transfers.

**Figure 9. Synchronous ADMux Interface**



See the Synchronous ADMux Interface timing diagrams for details.

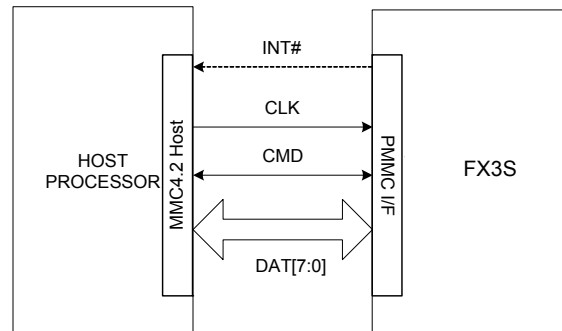
**Processor MMC (PMMC) Slave Interface**

FX3S supports an MMC slave interface on the P-Port. This interface is named "PMMC" to distinguish it from the S-Port MMC interface.

Figure 10 illustrates the signals used to connect to the host processor.

The PMMC interface's GO\_IRQ\_STATE command allows FX3S to communicate asynchronous events without requiring the INT# signal. The use of the INT# signal is optional.

**Figure 10. PMMC Interface Configuration**



The MMC slave interface features are as follows:

- Interface operations are compatible with the MMC-System Specification, MMCA Technical Committee, Version 4.2.
- Supports booting from an eMMC device connected to the S-Port. This feature is supported for eMMC devices operating up to 52-MHz SDR.
- Supports PMMC interface voltage ranges of 1.7 V to 1.95 V and 2.7 V to 3.6 V.
- Supports open drain (both drive and receive open drain signals) on CMD pin to allow GO\_IRQ\_STATE (CMD40) for PMMC.
- Interface clock-frequency range: 0 to 52 MHz.
- Supports 1-bit, 4-bit, or 8-bit mode of operation. This configuration is determined by the MMC initialization procedure.
- FX3S responds to standard initialization phase commands as specified for the MMC 4.2 slave device.
- PMMC mode MMC 4.2 command classes: Class 0 (Basic), Class 2 (Block read), and Class 4 (Block write), Class 9 (I/O).

FX3S supports the following PMMC commands:

- Class 0: Basic  
 CMD0, CMD1, CMD2, CMD3, CMD4, CMD6, CMD7, CMD8, CMD9, CMD10, CMD12, CMD13, CMD15, CMD19, CMD5 (wake-up support)
- Class 2: Block Read  
 CMD16, CMD17, CMD18, CMD23
- Class 4: Block Write  
 CMD16, CMD23, CMD24, CMD25
- Class 9: I-O  
 CMD39, CMD40

## CPU

FX3S has an on-chip 32-bit, 200-MHz ARM926EJ-S core CPU. The core has direct access to 16 kB of Instruction Tightly Coupled Memory (TCM) and 8 kB of Data TCM. The ARM926EJ-S core provides a JTAG interface for firmware debugging.

FX3S offers the following advantages:

- Integrates 512 KB of embedded SRAM for code and data and 8 KB of Instruction cache and Data cache.
- Implements efficient and flexible DMA connectivity between the various peripherals (such as, USB, GPIF II, I<sup>2</sup>S, SPI, UART), requiring firmware only to configure data accesses between peripherals, which are then managed by the DMA fabric.

- Allows easy application development on industry-standard development tools for ARM926EJ-S.

Examples of the FX3S firmware are available with the Cypress EZ-USB FX3S Development Kit. Software APIs that can be ported to an external processor are available with the Cypress EZ-USB FX3S Software Development Kit.

## Storage Port (S-Port)

FX3S has two independent storage ports (S0-Port and S1-Port). Both storage ports support the following specifications:

- MMC-system specification, MMCA Technical Committee, Version 4.41
- SD specification, Version 3.0
- SDIO host controller compliant with SDIO Specification Version 3.00

Both storage ports support the following features:

### SD/MMC Clock Stop

FX3S supports the stop clock feature, which can save power if the internal buffer is full when receiving data from the SD/MMC/SDIO.

### SD\_CLK Output Clock Stop

During the data transfer, the SD\_CLK clock can be enabled (on) or disabled (stopped) at any time by the internal flow control mechanism.

SD\_CLK output frequency is dynamically configurable using a clock divisor from a system clock. The clock choice for the divisor is user-configurable through a register. For example, the following frequencies may be configured:

- 400 kHz – For the SD/MMC card initialization
- 20 MHz – For a card with 0- to 20-MHz frequency
- 24 MHz – For a card with 0- to 26-MHz frequency
- 48 MHz – For a card with 0- to 52-MHz frequency (48-MHz frequency on SD\_CLK is supported when the clock input to FX3S is 19.2 MHz or 38.4 MHz)
- 52 MHz – For a card with 0- to 52-MHz frequency (52-MHz frequency on SD\_CLK is supported when the clock input to FX3S is 26 MHz or 52 MHz)
- 100 MHz – For a card with 0- to 100-MHz frequency

If the DDR mode is selected, data is clocked on both the rising and falling edge of the SD clock. DDR clocks run up to 52 MHz.

### Card Insertion and Removal Detection

FX3S supports the two-card insertion and removal detection mechanisms.

- Use of SD\_D[3] data: During system design, this signal must have an external 470-kΩ pull-down resistor connected to SD\_D[3]. SD cards have an internal 10-kΩ pull-up resistor. When the card is inserted or removed from the SD/MMC connector, the voltage level at the SD\_D[3] pin changes and triggers an interrupt to the CPU. The older generations of MMC cards do not support this card detection mechanism.
- Use of the S0/S1\_INS pin: Some SD/MMC connectors facilitate a micro switch for card insertion/removal detection. This micro switch can be connected to S0/S1\_INS. When the card is inserted or removed from the SD/MMC connector, it turns the micro switch on and off. This changes the voltage level at the pin that triggers the interrupt to the CPU. The card-detect micro switch polarity is assumed to be the same as the write-protect micro switch polarity. A low indicates that the card is inserted. This S0/S1\_INS pin is shared between the two S-Ports. Register configuration determines which port gets to use this pin. This pin is mapped to the S1VDDQ power domain; if S0VDDQ and S1VDDQ are at different voltage levels, this pin cannot be used as S1\_INS.

### Write Protection (WP)

The S0\_WP/S1\_WP (SD Write Protection) on S-Port is used to connect to the WP micro switch of SD/MMC card connector. This pin internally connects to a CPU-accessible GPIO for firmware to detect the SD card write protection.

### SDIO Interrupt

The SDIO interrupt functionality is supported as specified in the SDIO specification Version 2.00 (January 30, 2007).

### SDIO Read-Wait Feature

FX3S supports the optional read-wait and suspend-resume features as defined in the SDIO specification Version 2.00 (January 30, 2007).

### JTAG Interface

FX3S's JTAG interface has a standard five-pin interface to connect to a JTAG debugger in order to debug firmware through the CPU-core's on-chip-debug circuitry.

Industry-standard debugging tools for the ARM926EJ-S core can be used for the FX3S application development.

### Other Interfaces

FX3S supports the following serial peripherals:

- UART
- I<sup>2</sup>C
- I<sup>2</sup>S
- SPI

The SPI, UART, and I<sup>2</sup>S interfaces are multiplexed on the serial peripheral port.

### UART Interface

The UART interface of FX3S supports full-duplex communication. It includes the signals noted in Table 1.

Table 1. UART Interface Signals

Signal	Description
TX	Output signal
RX	Input signal
CTS	Flow control
RTS	Flow control

The UART is capable of generating a range of baud rates, from 300 bps to 4608 Kbps, selectable by the firmware. If flow control is enabled, then FX3S's UART only transmits data when the CTS input is asserted. In addition to this, FX3S's UART asserts the RTS output signal, when it is ready to receive data.

### I<sup>2</sup>C Interface

FX3S's I<sup>2</sup>C interface is compatible with the I<sup>2</sup>C Bus Specification Revision 3. This I<sup>2</sup>C interface is capable of operating only as I<sup>2</sup>C master; therefore, it may be used to communicate with other I<sup>2</sup>C slave devices. For example, FX3S may boot from an EEPROM connected to the I<sup>2</sup>C interface, as a selectable boot option.

FX3S's I<sup>2</sup>C Master Controller also supports multi-master mode functionality.

The power supply for the I<sup>2</sup>C interface is VIO5, which is a separate power domain from the other serial peripherals. This gives the I<sup>2</sup>C interface the flexibility to operate at a different voltage than the other serial interfaces.

The I<sup>2</sup>C controller supports bus frequencies of 100 kHz, 400 kHz, and 1 MHz. When VIO5 is 1.2 V, the maximum operating frequency supported is 100 kHz. When VIO5 is 1.8 V, 2.5 V, or 3.3 V, the operating frequencies supported are 400 kHz and 1 MHz. The I<sup>2</sup>C controller supports the clock-stretching feature to enable slower devices to exercise flow control.

The I<sup>2</sup>C interface's SCL and SDA signals require external pull-up resistors. The pull-up resistors must be connected to VIO5.

### I<sup>2</sup>S Interface

FX3S has an I<sup>2</sup>S port to support external audio codec devices. FX3S functions as I<sup>2</sup>S Master as transmitter only. The I<sup>2</sup>S interface consists of four signals: clock line (I2S\_CLK), serial data line (I2S\_SD), word select line (I2S\_WS), and master system clock (I2S\_MCLK). FX3S can generate the system clock as an output on I2S\_MCLK or accept an external system clock input on I2S\_MCLK.

The sampling frequencies supported by the I<sup>2</sup>S interface are 32 kHz, 44.1 kHz, and 48 kHz.

### SPI Interface

FX3S supports an SPI Master interface on the Serial Peripherals port. The maximum operation frequency is 33 MHz.

The SPI controller supports four modes of SPI communication (see SPI Timing Specification on page 45 for details on the modes) with the Start-Stop clock. This controller is a single-master controller with a single automated SSN control. It supports transaction sizes ranging from 4 bits to 32 bits.

## Boot Options

FX3S can load boot images from various sources, selected by the configuration of the PMODE pins. Following are the FX3S boot options:

- Boot from USB
- Boot from I<sup>2</sup>C
- Boot from SPI (SPI devices supported are M25P16 (16 Mbit), M25P80 (8 Mbit), and M25P40 (4 Mbit)) or their equivalents
- Boot from eMMC (S0-port)
- Boot from GPIF II ASync ADMux mode
- Boot from GPIF II Sync ADMux mode
- Boot from GPIF II ASync SRAM mode
- Boot from PMMC (P-Port)

**Table 2. FX3S Booting Options**

PMODE[2:0] <sup>[2]</sup>	Boot From
F00	Sync ADMux (16-bit)
F01	ASync ADMux (16-bit)
F10	PMMC Legacy
F11	USB boot
F0F	ASync SRAM (16-bit)
F1F	I <sup>2</sup> C, On Failure, USB Boot is Enabled
1FF	I <sup>2</sup> C only
0F1	SPI, On Failure, USB Boot is Enabled
000	S0-Port (eMMC) On failure, USB boot is enabled
100	S0-port (eMMC)

## Reset

### Hard Reset

A hard reset is initiated by asserting the Reset# pin on FX3S. The specific reset sequence and timing requirements are detailed in [Figure 31](#) on page 47 and [Table 18](#) on page 47. All I/Os are tristated during a hard reset.

### Soft Reset

In a soft reset, the processor sets the appropriate bits in the PP\_INIT control register. There are two types of Soft Reset:

- CPU Reset – The CPU Program Counter is reset. Firmware does not need to be reloaded following a CPU Reset.
- Whole Device Reset – This reset is identical to Hard Reset.
- The firmware must be reloaded following a Whole Device Reset.

## Clocking

FX3S allows either a crystal to be connected between the XTALIN and XTALOUT pins or an external clock to be connected at the CLKIN pin. The XTALIN, XTALOUT, CLKIN, and CLKIN\_32 pins can be left unconnected if they are not used.

Crystal frequency supported is 19.2 MHz, while the external clock frequencies supported are 19.2, 26, 38.4, and 52 MHz.

FX3S has an on-chip oscillator circuit that uses an external 19.2-MHz ( $\pm 100$  ppm) crystal (when the crystal option is used). An appropriate load capacitance is required with a crystal. Refer to the specification of the crystal used to determine the appropriate load capacitance. The FSLC[2:0] pins must be configured appropriately to select the crystal- or clock-frequency option. The configuration options are shown in [Table 3](#).

Clock inputs to FX3S must meet the phase noise and jitter requirements specified in [Table 4](#) on page 12.

The input clock frequency is independent of the clock and data rate of the FX3S core or any of the device interfaces (including P-Port and S-Port). The internal PLL applies the appropriate clock multiply option depending on the input frequency.

**Table 3. Crystal/Clock Frequency Selection**

FSLC[2]	FSLC[1]	FSLC[0]	Crystal/Clock Frequency
0	0	0	19.2-MHz crystal
1	0	0	19.2-MHz input CLK
1	0	1	26-MHz input CLK
1	1	0	38.4-MHz input CLK
1	1	1	52-MHz input CLK

**Note**

2. F indicates Floating.

**Table 4. FX3S Input Clock Specifications**

Parameter	Description	Specification		Units
		Min	Max	
Phase noise	100-Hz offset	–	–75	dB
	1- kHz offset	–	–104	dB
	10-kHz offset	–	–120	dB
	100-kHz offset	–	–128	dB
	1-MHz offset	–	–130	dB
Maximum frequency deviation		–	150	ppm
Duty cycle		30	70	%
Overshoot		–	3	%
Undershoot		–	–3	%
Rise time/fall time		–	3	ns

### 32-kHz Watchdog Timer Clock Input

FX3S includes a watchdog timer. The watchdog timer can be used to interrupt the ARM926EJ-S core, automatically wake up the FX3S in Standby mode, and reset the ARM926EJ-S core. The watchdog timer runs a 32-kHz clock, which may be optionally supplied from an external source on a dedicated FX3S pin.

The firmware can disable the watchdog timer.

Requirements for the optional 32-kHz clock input are listed in [Table 5](#).

**Table 5. 32-kHz Clock Input Requirements**

Parameter	Min	Max	Units
Duty cycle	40	60	%
Frequency deviation	–	±200	ppm
Rise time/fall time	–	200	ns

## Power

FX3S has the following power supply domains:

■ **IO\_VDDQ**: This is a group of independent supply domains for digital I/Os. The voltage level on these supplies is 1.8 V to 3.3 V. FX3S provides six independent supply domains for digital I/Os listed as follows (see [Pin Description](#) on page 16 for details on each of the power domain signals):

- VIO1: GPIF II I/O
- VIO2: S0-Port Supply
- VIO3: S1-Port Supply
- VIO4: S1-Port and Low Speed Peripherals (UART/SPI/I2S) Supply

- VIO5: I<sup>2</sup>C and JTAG (supports 1.2 V to 3.3 V)
- CVDDQ: Clock
- V<sub>DD</sub>: This is the supply voltage for the logic core. The nominal supply-voltage level is 1.2 V. This supplies the core logic circuits. The same supply must also be used for the following:
  - AVDD: This is the 1.2-V supply for the PLL, crystal oscillator, and other core analog circuits
  - U3TXVDDQ/U3RXVDDQ: These are the 1.2-V supply voltages for the USB 3.0 interface.
- VBATT/VBUS: This is the 3.2-V to 6-V battery power supply for the USB I/O and analog circuits. This supply powers the USB transceiver through FX3S's internal voltage regulator. VBATT is internally regulated to 3.3 V.

## Power Modes

FX3S supports the following power modes:

- Normal mode: This is the full-functional operating mode. The internal CPU clock and the internal PLLs are enabled in this mode.
  - Normal operating power consumption does not exceed the sum of I<sub>CC</sub> Core max and I<sub>CC</sub> USB max (see [Table](#) for current consumption specifications).
  - The I/O power supplies VIO2, VIO3, VIO4, and VIO5 can be turned off when the corresponding interface is not in use. VIO1 cannot be turned off at any time if the GPIF II interface is used in the application.
- Low-power modes (see [Table 6](#) on page 13):
  - Suspend mode with USB 3.0 PHY enabled (L1)
  - Suspend mode with USB 3.0 PHY disabled (L2)
  - Standby mode (L3)
  - Core power-down mode (L4)

**Table 6. Entry and Exit Methods for Low-Power Modes**

Low-Power Mode	Characteristics	Methods of Entry	Methods of Exit
Suspend Mode with USB 3.0 PHY Enabled (L1)	<ul style="list-style-type: none"> <li>■ The power consumption in this mode does not exceed <math>ISB_1</math></li> <li>■ USB 3.0 PHY is enabled and is in U3 mode (one of the suspend modes defined by the USB 3.0 specification). This one block alone is operational with its internal clock while all other clocks are shut down</li> <li>■ All I/Os maintain their previous state</li> <li>■ Power supply for the wakeup source and core power must be retained. All other power domains can be turned on/off individually</li> <li>■ The states of the configuration registers, buffer memory, and all internal RAM are maintained</li> <li>■ All transactions must be completed before FX3S enters Suspend mode (state of outstanding transactions are not preserved)</li> <li>■ The firmware resumes operation from where it was suspended (except when woken up by RESET# assertion) because the program counter does not reset</li> </ul>	<ul style="list-style-type: none"> <li>■ Firmware executing on ARM926EJ-S core can put FX3S into suspend mode. For example, on USB suspend condition, firmware may decide to put FX3S into suspend mode</li> <li>■ External Processor, through the use of mailbox registers, can put FX3S into suspend mode</li> </ul>	<ul style="list-style-type: none"> <li>■ D+ transitioning to low or high</li> <li>■ D- transitioning to low or high</li> <li>■ Impedance change on OTG_ID pin</li> <li>■ Resume condition on SSRX±</li> <li>■ Detection of VBUS</li> <li>■ Level detect on UART_CTS (programmable polarity)</li> <li>■ GPIF II interface assertion of CTL[0]</li> <li>■ Assertion of RESET#</li> </ul>
Suspend Mode with USB 3.0 PHY Disabled (L2)	<ul style="list-style-type: none"> <li>■ The power consumption in this mode does not exceed <math>ISB_2</math></li> <li>■ USB 3.0 PHY is disabled and the USB interface is in suspend mode</li> <li>■ The clocks are shut off. The PLLs are disabled</li> <li>■ All I/Os maintain their previous state</li> <li>■ USB interface maintains the previous state</li> <li>■ Power supply for the wakeup source and core power must be retained. All other power domains can be turned on/off individually</li> <li>■ The states of the configuration registers, buffer memory and all internal RAM are maintained</li> <li>■ All transactions must be completed before FX3S enters Suspend mode (state of outstanding transactions are not preserved)</li> <li>■ The firmware resumes operation from where it was suspended (except when woken up by RESET# assertion) because the program counter does not reset</li> </ul>	<ul style="list-style-type: none"> <li>■ Firmware executing on ARM926EJ-S core can put FX3S into suspend mode. For example, on USB suspend condition, firmware may decide to put FX3S into suspend mode</li> <li>■ External Processor, through the use of mailbox registers can put FX3S into suspend mode</li> </ul>	<ul style="list-style-type: none"> <li>■ D+ transitioning to low or high</li> <li>■ D- transitioning to low or high</li> <li>■ Impedance change on OTG_ID pin</li> <li>■ Resume condition on SSRX±</li> <li>■ Detection of VBUS</li> <li>■ Level detect on UART_CTS (programmable polarity)</li> <li>■ GPIF II interface assertion of CTL[0]</li> <li>■ Assertion of RESET#</li> </ul>

Table 6. Entry and Exit Methods for Low-Power Modes (continued)

Low-Power Mode	Characteristics	Methods of Entry	Methods of Exit
Standby Mode (L3)	<ul style="list-style-type: none"> <li>■ The power consumption in this mode does not exceed ISB3</li> <li>■ All configuration register settings and program/data RAM contents are preserved. However, data in the buffers or other parts of the data path, if any, is not guaranteed. Therefore, the external processor should take care that the data needed is read before putting FX3S into this Standby Mode</li> <li>■ The program counter is reset after waking up from Standby</li> <li>■ GPIO pins maintain their configuration</li> <li>■ Crystal oscillator is turned off</li> <li>■ Internal PLL is turned off</li> <li>■ USB transceiver is turned off</li> <li>■ ARM926EJ-S core is powered down. Upon wakeup, the core re-starts and runs the program stored in the program/data RAM</li> <li>■ Power supply for the wakeup source and core power must be retained. All other power domains can be turned on/off individually</li> </ul>	<ul style="list-style-type: none"> <li>■ Firmware executing on ARM926EJ-S core or external processor configures the appropriate register</li> </ul>	<ul style="list-style-type: none"> <li>■ Detection of VBUS</li> <li>■ Level detect on UART_CTS (Programmable Polarity)</li> <li>■ GPIF II interface assertion of CTL[0]</li> <li>■ Assertion of RESET#</li> </ul>
Core Power Down Mode (L4)	<ul style="list-style-type: none"> <li>■ The power consumption in this mode does not exceed ISB<sub>4</sub></li> <li>■ Core power is turned off</li> <li>■ All buffer memory, configuration registers, and the program RAM do not maintain state. After exiting this mode, reload the firmware</li> <li>■ In this mode, all other power domains can be turned on/off individually</li> </ul>	<ul style="list-style-type: none"> <li>■ Turn off V<sub>DD</sub></li> </ul>	<ul style="list-style-type: none"> <li>■ Reapply VDD</li> <li>■ Assertion of RESET#</li> </ul>

## Configuration Options

Configuration options are available for specific usage models. Contact Cypress Applications or Marketing for details.

## Digital I/Os

FX3S has internal firmware-controlled pull-up or pull-down resistors on all digital I/O pins. An internal 50-kΩ resistor pulls the pins high, while an internal 10-kΩ resistor pulls the pins low to prevent them from floating. The I/O pins may have the following states:

- Tristated (High-Z)
- Weak pull-up (via internal 50 kΩ)
- Pull-down (via internal 10 kΩ)
- Hold (I/O hold its value) when in low-power modes
- The JTAG TDI, TMC, and TRST# signals have fixed 50-kΩ internal pull-ups, and the TCK signal has a fixed 10-kΩ pull-down resistor.

All unused I/Os should be pulled high by using the internal pull-up resistors. All unused outputs should be left floating. All I/Os can be driven at full-strength, three-quarter strength, half-strength, or quarter-strength. These drive strengths are configured separately for each interface.

## GPIOs

EZ-USB enables a flexible pin configuration both on the GPIF II and the serial peripheral interfaces. Any unused control pins (except CTL[15]) on the GPIF II interface can be used as GPIOs.

Similarly, any unused pins on the serial peripheral interfaces may be configured as GPIOs. See the [Pin Description](#) on page 16 for pin configuration options.

All GPIF II and GPIO pins support an external load of up to 16 pF for every pin.

## EMI

FX3S meets EMI requirements outlined by FCC 15B (USA) and EN55022 (Europe) for consumer electronics. FX3S can tolerate reasonable EMI, conducted by the aggressor, outlined by these specifications and continue to function as expected.

## System-level ESD

FX3S has built-in ESD protection on the D+, D-, and GND pins on the USB interface. The ESD protection levels provided on these ports are:

- ±2.2-KV human body model (HBM) based on JESD22-A114 Specification
- ±6-KV contact discharge and ±8-KV air gap discharge based on IEC61000-4-2 level 3A
- ± 8-KV Contact Discharge and ±15-KV Air Gap Discharge based on IEC61000-4-2 level 4C.

This protection ensures the device continues to function after ESD events up to the levels stated in this section.

The SSRX+, SSRX-, SSTX+, and SSTX- pins only have up to ±2.2-KV HBM internal ESD protection.

Figure 11. FX3S Ball Map (Top View)

	1	2	3	4	5	6	7	8	9	10	11
A	U3VSSQ	U3RXVDDQ	SSRXM	SSRXP	SSTXP	SSTXM	AVDD	VSS	DP	DM	NC
B	VIO4	FSLC[0]	R_USB3	FSLC[1]	U3TXVDDQ	CVDDQ	AVSS	VSS	VSS	VDD	TRST#
C	GPIO[54]	GPIO[55]	VDD	GPIO[57]	RESET#	XTALIN	XTALOUT	R_USB2	OTG_ID	TDO	VIO6
D	GPIO[50]	GPIO[51]	GPIO[52]	GPIO[53]	GPIO[56]	CLKIN_32	CLKIN	VSS	I2C_GPIO[58]	I2C_GPIO[59]	O[60]
E	GPIO[47]	VSS	VIO3	GPIO[49]	GPIO[48]	FSLC[2]	TDI	TMS	VDD	VBATT	VBUS
F	VIO2	GPIO[45]	GPIO[44]	GPIO[41]	GPIO[46]	TCK	GPIO[2]	GPIO[5]	GPIO[1]	GPIO[0]	VDD
G	VSS	GPIO[42]	GPIO[43]	GPIO[30]	GPIO[25]	GPIO[22]	GPIO[21]	GPIO[15]	GPIO[4]	GPIO[3]	VSS
H	VDD	GPIO[39]	GPIO[40]	GPIO[31]	GPIO[29]	GPIO[26]	GPIO[20]	GPIO[24]	GPIO[7]	GPIO[6]	VIO1
J	GPIO[38]	GPIO[36]	GPIO[37]	GPIO[34]	GPIO[28]	GPIO[16]	GPIO[19]	GPIO[14]	GPIO[9]	GPIO[8]	VDD
K	GPIO[35]	GPIO[33]	VSS	VSS	GPIO[27]	GPIO[23]	GPIO[18]	GPIO[17]	GPIO[13]	GPIO[12]	GPIO[10]
L	VSS	VSS	VSS	GPIO[32]	VDD	VSS	VDD	INT#	VIO1	GPIO[11]	VSS

Pin Description

FX3S Pin Description									
Pin	Power Domain	I/O	Name	P-Port					
				GPIF II Interface	Slave FIFO Interface	PMMC	Async SRAM	Async ADMux	SyncADMux
F10	VIO1	I/O	GPIO[0]	DQ[0]	DQ[0]	MMC_D0	DQ[0]	DQ[0]/A[0]	DQ[0]/A[0]
F9	VIO1	I/O	GPIO[1]	DQ[1]	DQ[1]	MMC_D1	DQ[1]	DQ[1]/A[1]	DQ[1]/A[1]
F7	VIO1	I/O	GPIO[2]	DQ[2]	DQ[2]	MMC_D2	DQ[2]	DQ[2]/A[2]	DQ[2]/A[2]
G10	VIO1	I/O	GPIO[3]	DQ[3]	DQ[3]	MMC_D3	DQ[3]	DQ[3]/A[3]	DQ[3]/A[3]
G9	VIO1	I/O	GPIO[4]	DQ[4]	DQ[4]	MMC_D4	DQ[4]	DQ[4]/A[4]	DQ[4]/A[4]
F8	VIO1	I/O	GPIO[5]	DQ[5]	DQ[5]	MMC_D5	DQ[5]	DQ[5]/A[5]	DQ[5]/A[5]
H10	VIO1	I/O	GPIO[6]	DQ[6]	DQ[6]	MMC_D6	DQ[6]	DQ[6]/A[6]	DQ[6]/A[6]
H9	VIO1	I/O	GPIO[7]	DQ[7]	DQ[7]	MMC_D7	DQ[7]	DQ[7]/A[7]	DQ[7]/A[7]
J10	VIO1	I/O	GPIO[8]	DQ[8]	DQ[8]	GPIO	DQ[8]	DQ[8]/A[8]	DQ[8]/A[8]
J9	VIO1	I/O	GPIO[9]	DQ[9]	DQ[9]	GPIO	DQ[9]	DQ[9]/A[9]	DQ[9]/A[9]
K11	VIO1	I/O	GPIO[10]	DQ[10]	DQ[10]	GPIO	DQ[10]	DQ[10]/A[10]	DQ[10]/A[10]
L10	VIO1	I/O	GPIO[11]	DQ[11]	DQ[11]	GPIO	DQ[11]	DQ[11]/A[11]	DQ[11]/A[11]
K10	VIO1	I/O	GPIO[12]	DQ[12]	DQ[12]	GPIO	DQ[12]	DQ[12]/A[12]	DQ[12]/A[12]
K9	VIO1	I/O	GPIO[13]	DQ[13]	DQ[13]	GPIO	DQ[13]	DQ[13]/A[13]	DQ[13]/A[13]
J8	VIO1	I/O	GPIO[14]	DQ[14]	DQ[14]	GPIO	DQ[14]	DQ[14]/A[14]	DQ[14]/A[14]
G8	VIO1	I/O	GPIO[15]	DQ[15]	DQ[15]	GPIO	DQ[15]	DQ[15]/A[15]	DQ[15]/A[15]
J6	VIO1	I/O	GPIO[16]	PCLK	CLK	MMC_CLK	CLK	CLK	CLK
K8	VIO1	I/O	GPIO[17]	CTL[0]	SLCS#	GPIO	CE#	CE#	CE#
K7	VIO1	I/O	GPIO[18]	CTL[1]	SLWR#	MMC_CMD	WE#	WE#	WE#
J7	VIO1	I/O	GPIO[19]	CTL[2]	SLOE#	GPIO	OE#	OE#	OE#
H7	VIO1	I/O	GPIO[20]	CTL[3]	SLRD#	GPIO	DACK#	DACK#	DACK#
G7	VIO1	I/O	GPIO[21]	CTL[4]	FLAGA	GPIO	DRQ#	DRQ#	DRQ#
G6	VIO1	I/O	GPIO[22]	CTL[5]	FLAGB	GPIO	A[7]	GPIO	GPIO
K6	VIO1	I/O	GPIO[23]	CTL[6]	GPIO	GPIO	A[6]	GPIO	RDY
H8	VIO1	I/O	GPIO[24]	CTL[7]	PKTEND#	GPIO	A[5]	GPIO	GPIO
G5	VIO1	I/O	GPIO[25]	CTL[8]	GPIO	GPIO	A[4]	GPIO	GPIO
H6	VIO1	I/O	GPIO[26]	CTL[9]	GPIO	GPIO	A[3]	GPIO	GPIO
K5	VIO1	I/O	GPIO[27]	CTL[10]	GPIO	GPIO	A[2]	ADV#	ADV#
J5	VIO1	I/O	GPIO[28]	CTL[11]	A1	CARKIT_UART_RX	A[1]	GPIO	GPIO
H5	VIO1	I/O	GPIO[29]	CTL[12]	A0	CARKIT_UART_TX	A[0]	GPIO	GPIO
G4	VIO1	I/O	GPIO[30]	PMODE[0]	PMODE[0]	PMODE[0]	PMODE[0]	PMODE[0]	PMODE[0]
H4	VIO1	I/O	GPIO[31]	PMODE[1]	PMODE[1]	PMODE[1]	PMODE[1]	PMODE[1]	PMODE[1]
L4	VIO1	I/O	GPIO[32]	PMODE[2]	PMODE[2]	PMODE[2]	PMODE[2]	PMODE[2]	PMODE[2]
L8	VIO1	I/O	INT#	INT#/CTL[15]	CTL[15]	INT#	INT#	INT#	INT#
C5	CVDDQ	I	RESET#	RESET#	RESET#	RESET#	RESET#	RESET#	RESET#

FX3S Pin Description												
Pin	Power Domain	I/O	Name	S0-Port								
				8b MMC		SD+GPIO			GPIO			
K2	VIO2	I/O	GPIO[33]	S0_SD0		S0_SD0						GPIO
J4	VIO2	I/O	GPIO[34]	S0_SD1		S0_SD1						GPIO
K1	VIO2	I/O	GPIO[35]	S0_SD2		S0_SD2						GPIO
J2	VIO2	I/O	GPIO[36]	S0_SD3		S0_SD3						GPIO
J3	VIO2	I/O	GPIO[37]	S0_SD4		GPIO						GPIO
J1	VIO2	I/O	GPIO[38]	S0_SD5		GPIO						GPIO
H2	VIO2	I/O	GPIO[39]	S0_SD6		GPIO						GPIO
H3	VIO2	I/O	GPIO[40]	S0_SD7		GPIO						GPIO
F4	VIO2	I/O	GPIO[41]	S0_CMD		S0_CMD						GPIO
G2	VIO2	I/O	GPIO[42]	S0_CLK		S0_CLK						GPIO
G3	VIO2	I/O	GPIO[43]	S0_WP		S0_WP						GPIO
F3	VIO2	I/O	GPIO[44]	S0S1_INS		S0S1_INS						GPIO
F2	VIO2	I/O	GPIO[45]	MMC0_RST_OUT		GPIO						GPIO
				S1-Port								
				8b MMC	SD+UART	SD+SPI	SD+GPIO	GPIO	GPIO+UART+I2S	SD+I2S	UART+SPI+I2S	
F5	VIO3	I/O	GPIO[46]	S1_SD0	S1_SD0	S1_SD0	S1_SD0	GPIO	GPIO	S1_SD0	UART_RT S	
E1	VIO3	I/O	GPIO[47]	S1_SD1	S1_SD1	S1_SD1	S1_SD1	GPIO	GPIO	S1_SD1	UART_CT S	
E5	VIO3	I/O	GPIO[48]	S1_SD2	S1_SD2	S1_SD2	S1_SD2	GPIO	GPIO	S1_SD2	UART_TX	
E4	VIO3	I/O	GPIO[49]	S1_SD3	S1_SD3	S1_SD3	S1_SD3	GPIO	GPIO	S1_SD3	UART_RX	
D1	VIO3	I/O	GPIO[50]	S1_CMD	S1_CMD	S1_CMD	S1_CMD	GPIO	I2S_CLK	S1_CMD	I2S_CLK	
D2	VIO3	I/O	GPIO[51]	S1_CLK	S1_CLK	S1_CLK	S1_CLK	GPIO	I2S_SD	S1_CLK	I2S_SD	
D3	VIO3	I/O	GPIO[52]	S1_WP	S1_WP	S1_WP	S1_WP	GPIO	I2S_WS	S1_WP	I2S_WS	
D4	VIO4	I/O	GPIO[53]	S1_SD4	UART_RTS	SPI_SCK	GPIO	GPIO	UART_RTS	GPIO	SPI_SCK	
C1	VIO4	I/O	GPIO[54]	S1_SD5	UART_CTS	SPI_SSN	GPIO	GPIO	UART_CTS	I2S_CLK	SPI_SSN	
C2	VIO4	I/O	GPIO[55]	S1_SD6	UART_TX	SPI_MISO	GPIO	GPIO	UART_TX	I2S_SD	SPI_MISO	
D5	VIO4	I/O	GPIO[56]	S1_SD7	UART_RX	SPI_MOSI	GPIO	GPIO	UART_RX	I2S_WS	SPI_MOSI	
C4	VIO4	I/O	GPIO[57]	MMC1_RST_OUT	GPIO	GPIO	GPIO	GPIO	I2S_MCLK	I2S_MCLK	I2S_MCLK	

FX3S Pin Description				
Pin	Power Domain	I/O	Name	USB Port
C9	VBUS/ VBATT	I	OTG_ID	OTG_ID
A3	U3RX VDDQ	I	SSRXM	SSRX-
A4	U3RX VDDQ	I	SSRXP	SSRX+
A6	U3TX VDDQ	O	SSTXM	SSTX-
A5	U3TX VDDQ	O	SSTXP	SSTX+
A9	VBUS/ VBATT	I/O	DP	D+
A10	VBUS/ VBATT	I/O	DM	D-
A11			NC	No connect
<b>Crystal/Clocks</b>				
B2	CVDDQ	I	FSLC[0]	FSLC[0]
C6	AVDD	I/O	XTALIN	XTALIN
C7	AVDD	I/O	XTALOUT	XTALOUT
B4	CVDDQ	I	FSLC[1]	FSLC[1]
E6	CVDDQ	I	FSLC[2]	FSLC[2]
D7	CVDDQ	I	CLKIN	CLKIN
D6	CVDDQ	I	CLKIN_32	CLKIN_32
<b>I2C and JTAG</b>				
D9	VIO5	I/O	I2C_GPIO[5 8]	I2C_SCL
D10	VIO5	I/O	I2C_GPIO[5 9]	I2C_SDA
E7	VIO5	I	TDI	TDI
C10	VIO5	O	TDO	TDO
B11	VIO5	I	TRST#	TRST#
E8	VIO5	I	TMS	TMS
F6	VIO5	I	TCK	TCK
D11	VIO5	O	O[60]	Charger detect output

FX3S Pin Description				
Pin	Power Domain	I/O	Name	Power
E10		PWR	VBATT	
B10		PWR	VDD	
A1		PWR	U3VSSQ	
E11		PWR	VBUS	
D8		PWR	VSS	
H11		PWR	VIO1	
E2		PWR	VSS	
L9		PWR	VIO1	
G1		PWR	VSS	
F1		PWR	VIO2	
G11		PWR	VSS	
E3		PWR	VIO3	
L1		PWR	VSS	
B1		PWR	VIO4	
L6		PWR	VSS	
B6		PWR	CVDDQ	
B5		PWR	U3TXVDDQ	
A2		PWR	U3RXVDDQ	
C11		PWR	VIO5	
L11		PWR	VSS	
A7		PWR	AVDD	
B7		PWR	AVSS	
C3		PWR	VDD	
B8		PWR	VSS	
E9		PWR	VDD	
B9		PWR	VSS	
F11		PWR	VDD	
H1		PWR	VDD	
L7		PWR	VDD	
J11		PWR	VDD	
L5		PWR	VDD	
K4		PWR	VSS	
L3		PWR	VSS	
K3		PWR	VSS	
L2		PWR	VSS	
A8		PWR	VSS	
				<b>Precision Resistors</b>
C8	VBUS/ VBATT	I/O	R_usb2	Precision resistor for USB 2.0 (Connect a 6.04 k $\Omega$ $\pm$ 1% resistor between this pin and GND)
B3	U3TX VDDQ	I/O	R_usb3	Precision resistor for USB 3.0 (Connect a 200 $\Omega$ $\pm$ 1% resistor between this pin and GND)

## Absolute Maximum Ratings

Exceeding maximum ratings may shorten the useful life of the device.

Storage temperature ..... -65 °C to +150 °C

Ambient temperature with power supplied (Industrial) ..... -40 °C to +85 °C

Supply voltage to ground potential  
 $V_{DD}$ ,  $A_{VDDQ}$  ..... 1.25 V

$V_{IO1}$ ,  $V_{IO2}$ ,  $V_{IO3}$ ,  $V_{IO4}$ ,  $V_{IO5}$  ..... 3.6 V

$U3TX_{VDDQ}$ ,  $U3RX_{VDDQ}$  ..... 1.25 V

DC input voltage to any input pin .....  $V_{CC} + 0.3$

DC voltage applied to outputs in high Z state .....  $V_{CC} + 0.3$

( $V_{CC}$  is the corresponding I/O voltage)

Static discharge voltage ESD protection levels:

■ ± 2.2-KV HBM based on JESD22-A114

■ Additional ESD protection levels on D+, D-, and GND pins, and serial peripheral pins

■ ± 6-KV contact discharge, ± 8-KV air gap discharge based on IEC61000-4-2 level 3A, ± 8-KV contact discharge, and ± 15-KV air gap discharge based on IEC61000-4-2 level 4C

Latch-up current ..... > 200 mA

Maximum output short-circuit current for all I/O configurations. ( $V_{out} = 0$  V) ..... -100 mA

## Operating Conditions

$T_A$  (ambient temperature under bias)

Industrial ..... -40 °C to +85 °C

$V_{DD}$ ,  $A_{VDDQ}$ ,  $U3TX_{VDDQ}$ ,  $U3RX_{VDDQ}$

Supply voltage ..... 1.15 V to 1.25 V

$V_{BATT}$  supply voltage ..... 3.2 V to 6 V

$V_{IO1}$ ,  $V_{IO2}$ ,  $V_{IO3}$ ,  $V_{IO4}$ ,  $C_{VDDQ}$

Supply voltage ..... 1.7 V to 3.6 V

$V_{IO5}$  supply voltage ..... 1.15 V to 3.6 V

## DC Specifications

Parameter	Description	Min	Max	Units	Notes
$V_{DD}$	Core voltage supply	1.15	1.25	V	1.2-V typical
$A_{VDD}$	Analog voltage supply	1.15	1.25	V	1.2-V typical
$V_{IO1}$	GPIF II I/O power supply domain	1.7	3.6	V	1.8-, 2.5-, and 3.3-V typical
$V_{IO2}$	S0-Port power supply domain	1.7	3.6	V	1.8-, 2.5-, and 3.3-V typical
$V_{IO3}$	S1-Port power supply domain	1.7	3.6	V	1.8-, 2.5-, and 3.3-V typical
$V_{IO4}$	S1-Port and UART/SPI/I2S power supply domain	1.7	3.6	V	1.8-, 2.5-, and 3.3-V typical
$V_{BATT}$	USB voltage supply	3.2	6	V	3.7-V typical
$V_{BUS}$	USB voltage supply	4.0	6	V	5-V typical
$U3TX_{VDDQ}$	USB 3.0 1.2-V supply	1.15	1.25	V	1.2-V typical. A 22- $\mu$ F bypass capacitor is required on this power supply.
$U3RX_{VDDQ}$	USB 3.0 1.2-V supply	1.15	1.25	V	1.2-V typical. A 22- $\mu$ F bypass capacitor is required on this power supply.
$C_{VDDQ}$	Clock voltage supply	1.7	3.6	V	1.8-, 3.3-V typical
$V_{IO5}$	I <sup>2</sup> C and JTAG voltage supply	1.15	3.6	V	1.2-, 1.8-, 2.5-, and 3.3-V typical
$V_{IH1}$	Input HIGH voltage 1	$0.625 \times V_{CC}$	$V_{CC} + 0.3$	V	For $2.0 \text{ V} \leq V_{CC} \leq 3.6 \text{ V}$ (except USB port). $V_{CC}$ is the corresponding I/O voltage supply.
$V_{IH2}$	Input HIGH voltage 2	$V_{CC} - 0.4$	$V_{CC} + 0.3$	V	For $1.7 \text{ V} \leq V_{CC} \leq 2.0 \text{ V}$ (except USB port). $V_{CC}$ is the corresponding I/O voltage supply.
$V_{IL}$	Input LOW voltage	-0.3	$0.25 \times V_{CC}$	V	$V_{CC}$ is the corresponding I/O voltage supply.
$V_{OH}$	Output HIGH voltage	$0.9 \times V_{CC}$	-	V	$I_{OH}(\text{max}) = -100 \mu\text{A}$ tested at quarter drive strength. $V_{CC}$ is the corresponding I/O voltage supply.
$V_{OL}$	Output LOW voltage	-	$0.1 \times V_{CC}$	V	$I_{OL}(\text{min}) = +100 \mu\text{A}$ tested at quarter drive strength. $V_{CC}$ is the corresponding I/O voltage supply.

**DC Specifications** (continued)

Parameter	Description	Min	Max	Units	Notes
$I_{IX}$	Input leakage current for all pins except SSTXP/SSXM/SSRXP/SSRXM	-1	1	$\mu\text{A}$	All I/O signals held at $V_{DDQ}$ (For I/Os with a pull-up or pull-down resistor connected, the leakage current increases by $V_{DDQ}/R_{pu}$ or $V_{DDQ}/R_{PD}$ )
$I_{OZ}$	Output High-Z leakage current for all pins except SSTXP/SSXM/SSRXP/SSRXM	-1	1	$\mu\text{A}$	All I/O signals held at $V_{DDQ}$
$I_{CC}$ Core	Core and analog voltage operating current	-	200	mA	Total current through $A_{VDD}$ , $V_{DD}$
$I_{CC}$ USB	USB voltage supply operating current	-	60	mA	
$I_{SB1}$	Total suspend current during suspend mode with USB 3.0 PHY enabled (L1)	-	-	mA	Core current: 1.5 mA I/O current: 20 $\mu\text{A}$ USB current: 2 mA For typical PVT (typical silicon, all power supplies at their respective nominal levels at 25 °C.)
$I_{SB2}$	Total suspend current during suspend mode with USB 3.0 PHY disabled (L2)	-	-	mA	Core current: 250 $\mu\text{A}$ I/O current: 20 $\mu\text{A}$ USB current: 1.2 mA For typical PVT (Typical silicon, all power supplies at their respective nominal levels at 25 °C.)
$I_{SB3}$	Total standby current during standby mode (L3)	-	-	$\mu\text{A}$	Core current: 60 $\mu\text{A}$ I/O current: 20 $\mu\text{A}$ USB current: 40 $\mu\text{A}$ For typical PVT (typical silicon, all power supplies at their respective nominal levels at 25 °C.)
$I_{SB4}$	Total standby current during core power-down mode (L4)	-	-	$\mu\text{A}$	Core current: 0 $\mu\text{A}$ I/O current: 20 $\mu\text{A}$ USB current: 40 $\mu\text{A}$ For typical PVT (typical silicon, all power supplies at their respective nominal levels at 25 °C.)
$V_{RAMP}$	Voltage ramp rate on core and I/O supplies	0.2	50	V/ms	Voltage ramp must be monotonic
$V_N$	Noise level permitted on $V_{DD}$ and I/O supplies	-	100	mV	Max p-p noise level permitted on all supplies except $A_{VDD}$
$V_N$ $A_{VDD}$	Noise level permitted on $A_{VDD}$ supply	-	20	mV	Max p-p noise level permitted on $A_{VDD}$

## AC Timing Parameters

### GPIF II Timing

Figure 12. GPIF II Timing in Synchronous Mode

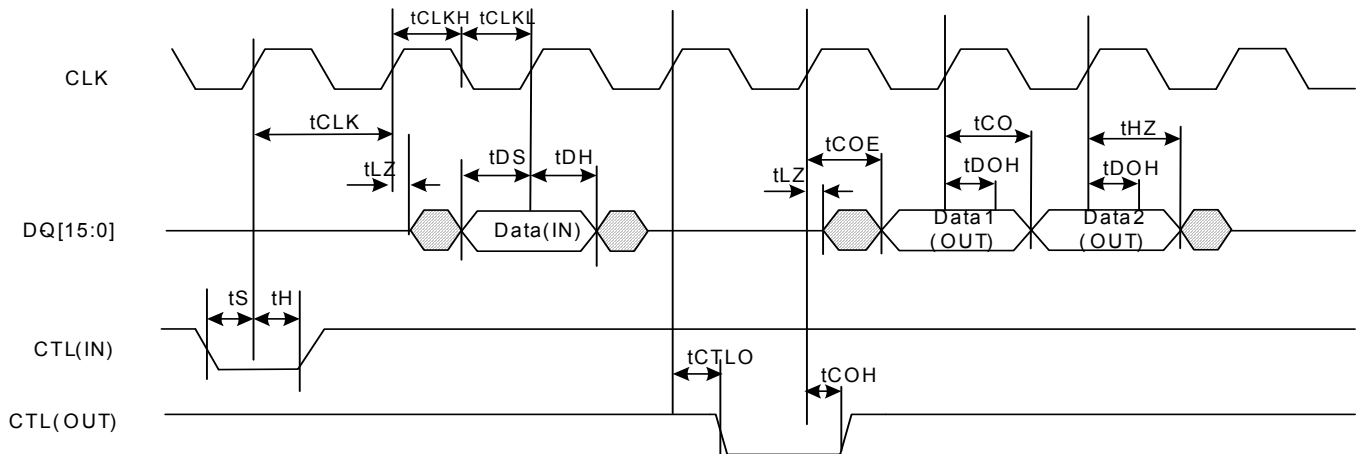


Table 7. GPIF II Timing Parameters in Synchronous Mode <sup>[3]</sup>

Parameter	Description	Min	Max	Units
Frequency	Interface clock frequency	–	100	MHz
$t_{CLK}$	Interface clock period	10	–	ns
$t_{CLKH}$	Clock high time	4	–	ns
$t_{CLKL}$	Clock low time	4	–	ns
$t_S$	CTL input to clock setup time (Sync speed = 1)	2	–	ns
$t_H$	CTL input to clock hold time (Sync speed = 1)	0.5	–	ns
$t_{DS}$	Data in to clock setup time (Sync speed = 1)	2	–	ns
$t_{DH}$	Data in to clock hold time (Sync speed = 1)	0.5	–	ns
$t_{CO}$	Clock to data out propagation delay when DQ bus is already in output direction (Sync speed = 1)	–	8	ns
$t_{COE}$	Clock to data out propagation delay when DQ lines change to output from tristate and valid data is available on the DQ bus (Sync speed = 1)	–	9	ns
$t_{CTLO}$	Clock to CTL out propagation delay (Sync speed = 1)	–	8	ns
$t_{DOH}$	Clock to data out hold	2	–	ns
$t_{COH}$	Clock to CTL out hold	0	–	ns
$t_{HZ}$	Clock to high-Z	–	8	ns
$t_{LZ}$	Clock to low-Z (Sync speed = 1)	0	–	ns
$t_{S\_ss0}$	CTL input/data input to clock setup time (Sync speed = 0)	5	–	ns
$t_{H\_ss0}$	CTL input/data input to clock hold time (Sync speed = 0)	2.5	–	ns
$t_{CO\_ss0}$	Clock to data out / CTL out propagation delay (sync speed = 0)	–	15	ns
$t_{LZ\_ss0}$	Clock to low-Z (sync speed = 0)	2	–	ns

**Note**

3. All parameters guaranteed by design and validated through characterization.

Figure 13. GPIF II Timing in Asynchronous Mode

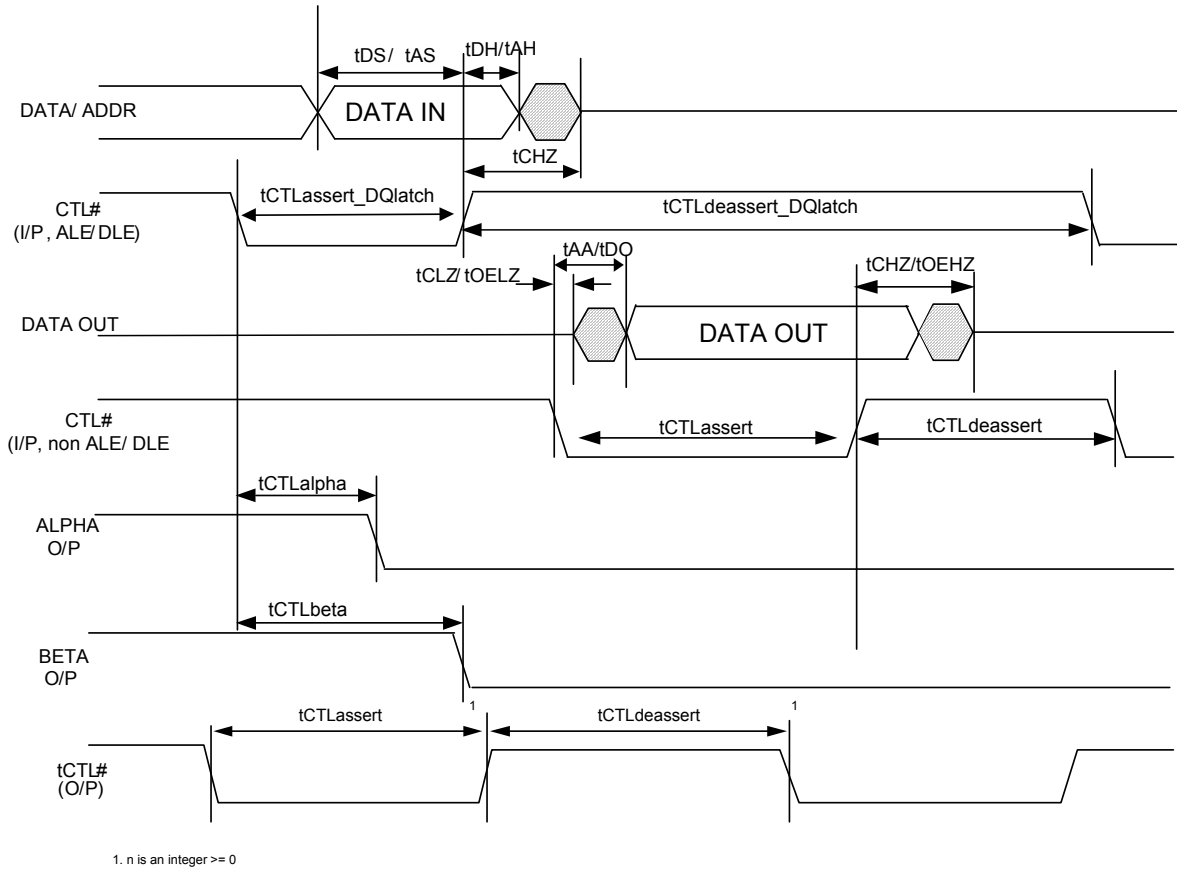
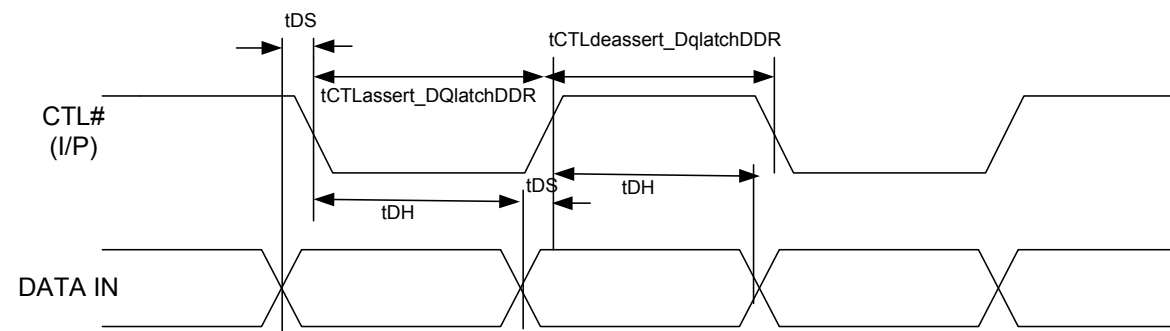


Figure 14. GPIF II Timing in Asynchronous DDR Mode



**Table 8. GPIF II Timing in Asynchronous Mode** <sup>[4]</sup>
**Note** The following parameters assume one state transition

Parameter	Description	Min	Max	Units
tDS	Data In to DLE setup time. Valid in DDR async mode.	2.3	–	ns
tDH	Data In to DLE hold time. Valid in DDR async mode.	2	–	ns
tAS	Address In to ALE setup time	2.3	–	ns
tAH	Address In to ALE hold time	2	–	ns
tCTLassert	CTL I/O asserted width for CTRL inputs without DQ input association and for outputs.	7	–	ns
tCTLdeassert	CTL I/O deasserted width for CTRL inputs without DQ input association and for outputs.	7	–	ns
tCTLassert_DQassert	CTL asserted pulse width for CTL inputs that signify DQ inputs valid at the asserting edge but do not employ in-built latches (ALE/DLE) for those DQ inputs.	20	–	ns
tCTLdeassert_DQassert	CTL deasserted pulse width for CTL inputs that signify DQ input valid at the asserting edge but do not employ in-built latches (ALE/DLE) for those DQ inputs.	7	–	ns
tCTLassert_DQdeassert	CTL asserted pulse width for CTL inputs that signify DQ inputs valid at the deasserting edge but do not employ in-built latches (ALE/DLE) for those DQ inputs.	7	–	ns
tCTLdeassert_DQdeassert	CTL deasserted pulse width for CTL inputs that signify DQ inputs valid at the deasserting edge but do not employ in-built latches (ALE/DLE) for those DQ inputs.	20	–	ns
tCTLassert_DQlatch	CTL asserted pulse width for CTL inputs that employ in-built latches (ALE/DLE) to latch the DQ inputs. In this non-DDR case, in-built latches are always close at the deasserting edge.	7	–	ns
tCTLdeassert_DQlatch	CTL deasserted pulse width for CTL inputs that employ in-built latches (ALE/DLE) to latch the DQ inputs. In this non-DDR case, in-built latches always close at the deasserting edge.	10	–	ns
tCTLassert_DQlatchDDR	CTL asserted pulse width for CTL inputs that employ in-built latches (DLE) to latch the DQ inputs in DDR mode.	10	–	ns
tCTLdeassert_DQlatchDDR	CTL deasserted pulse width for CTL inputs that employ in-built latches (DLE) to latch the DQ inputs in DDR mode.	10	–	ns
tAA	DQ/CTL input to DQ output time when DQ change or CTL change needs to be detected and affects internal updates of input and output DQ lines.	–	30	ns
tDO	CTL to data out when the CTL change merely enables the output flop update whose data was already established.	–	25	ns
tOELZ	CTL designated as OE to low-Z. Time when external devices should stop driving data.	0	–	ns
tOEHZ	CTL designated as OE to high-Z	8	8	ns
tCLZ	CTL (non-OE) to low-Z. Time when external devices should stop driving data.	0	–	ns
tCHZ	CTL (non-OE) to high-Z	30	30	ns
tCTLalpha	CTL to alpha change at output	–	25	ns
tCTLbeta	CTL to beta change at output	–	30	ns
tDST	Addr/data setup when DLE/ALE not used	2	–	ns
tDHT	Addr/data hold when DLE/ALE not used	20	–	ns

**Note**

4. All parameters guaranteed by design and validated through characterization.

Asynchronous SRAM Timing

Figure 15. Non-multiplexed Asynchronous SRAM Read Timing

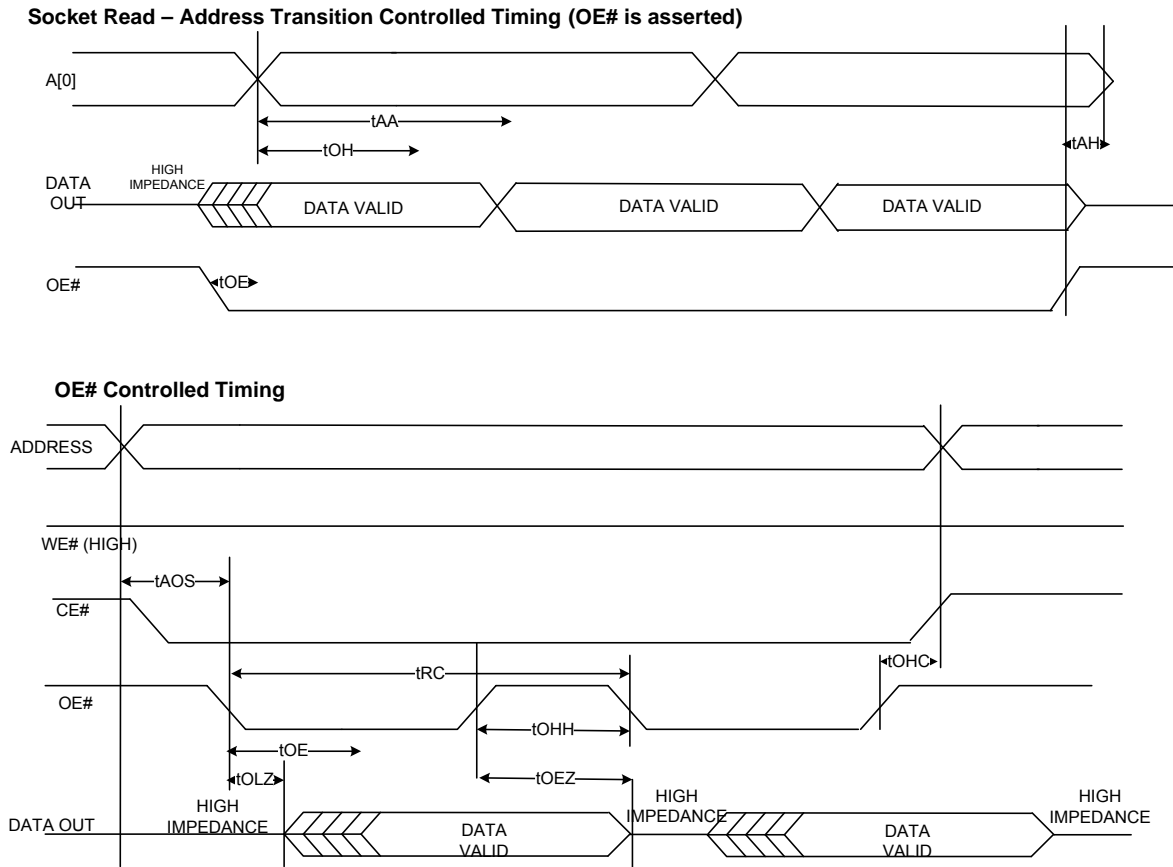
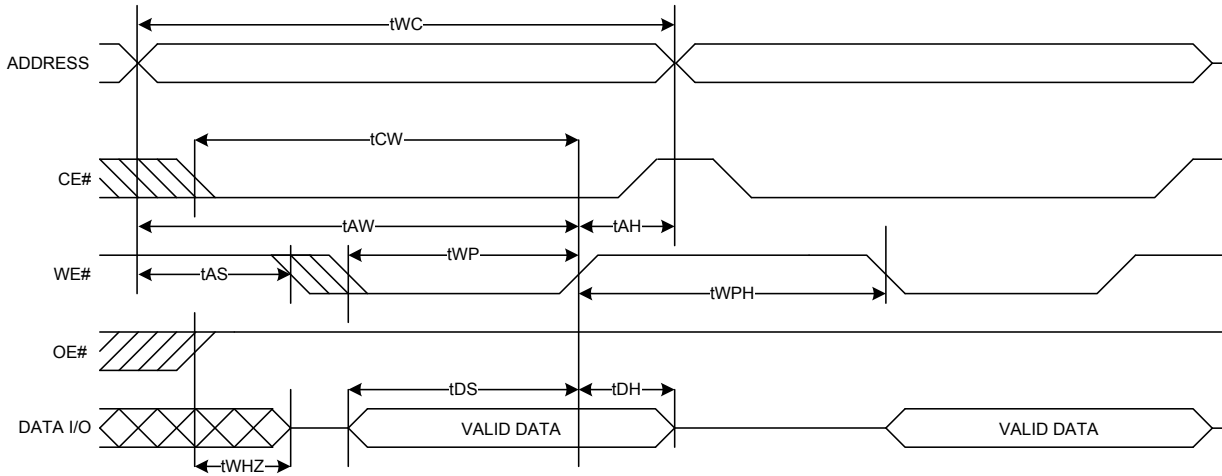


Figure 16. Non-multiplexed Asynchronous SRAM Write Timing (WE# and CE# Controlled)

Write Cycle 1 WE# Controlled, OE# High During Write



Write Cycle 2 CE# Controlled, OE# High During Write

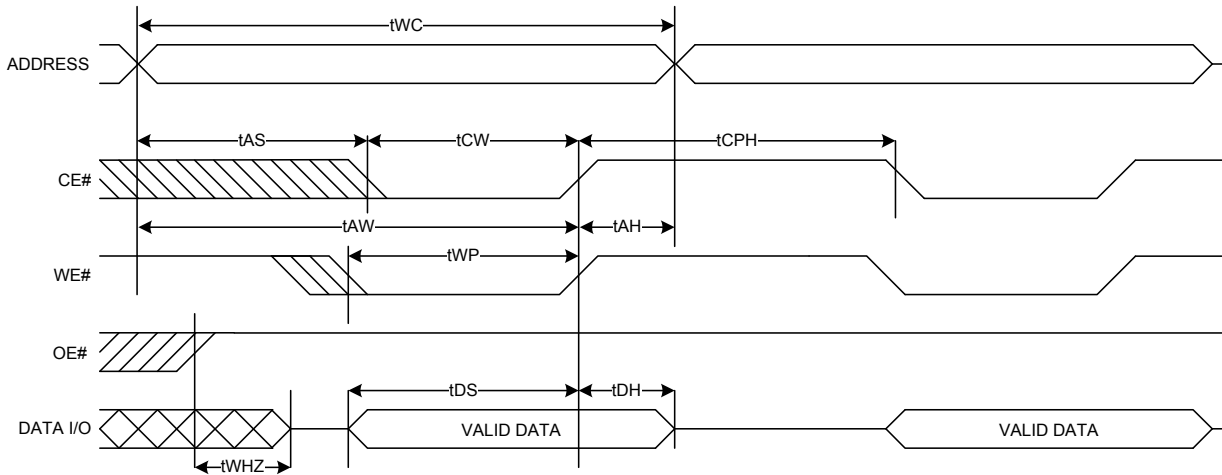
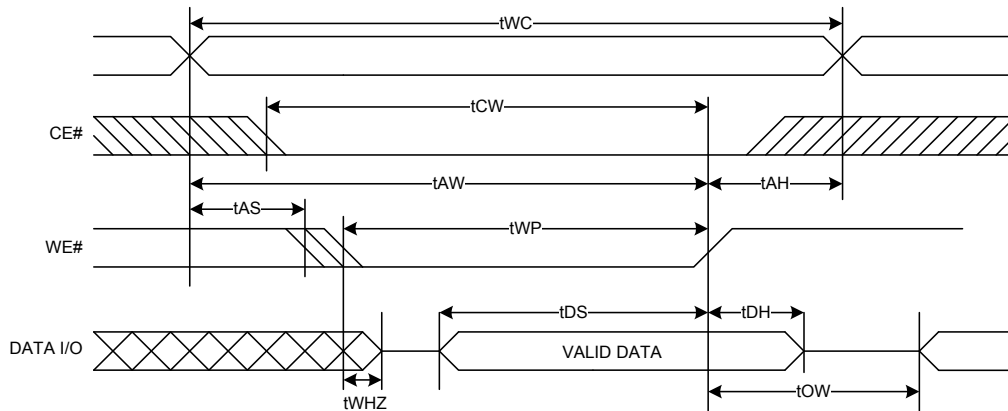


Figure 17. Non-multiplexed Asynchronous SRAM Write Timing (WE# controlled, OE# LOW)

Write Cycle 3 WE# Controlled. OE# Low



Note: tWP must be adjusted such that  $tWP > tWHZ + tDS$

Table 9. Asynchronous SRAM Timing Parameters<sup>[5]</sup>

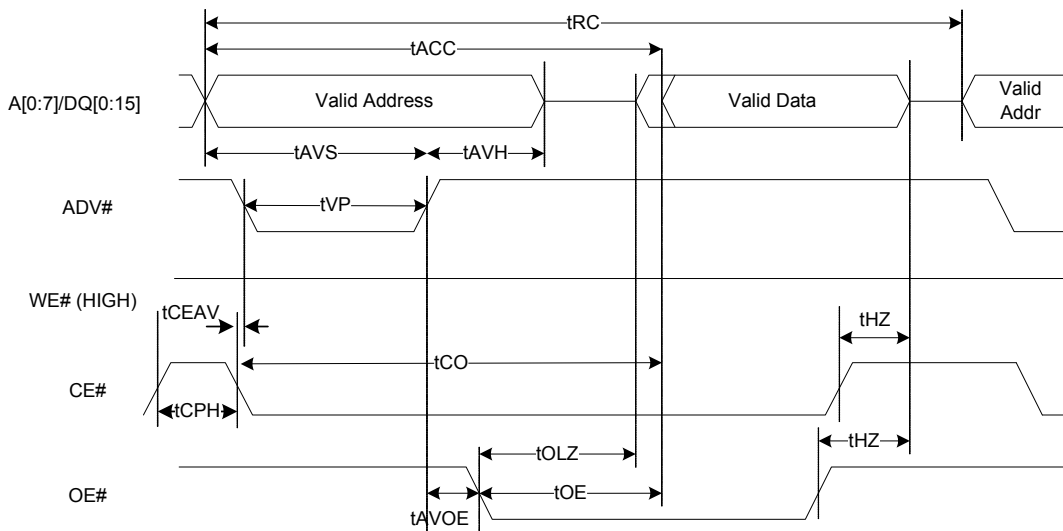
Parameter	Description	Min	Max	Units
	SRAM interface bandwidth	–	61.5	MBps
tRC	Read cycle time	32.5	–	ns
tAA	Address to data valid	–	30	ns
tAOS	Address to OE# LOW setup time	7	–	ns
tOH	Data output hold from address change	3	–	ns
tOHH	OE# HIGH hold time	7.5	–	ns
tOHC	OE# HIGH to CE# HIGH	2	–	ns
tOE	OE# LOW to data valid	–	25	ns
tOLZ	OE# LOW to LOW-Z	0	–	ns
tWC	Write cycle time	30	–	ns
tCW	CE# LOW to write end	30	–	ns
tAW	Address valid to write end	30	–	ns
tAS	Address setup to write start	7	–	ns
tAH	Address hold time from CE# or WE#	2	–	ns
tWP	WE# pulse width	20	–	ns
tWPH	WE# HIGH time	10	–	ns
tCPH	CE# HIGH time	10	–	ns
tDS	Data setup to write end	7	–	ns
tDH	Data hold to write end	2	–	ns
tWHZ	Write to DQ HIGH-Z output	–	22.5	ns
tOEZ	OE# HIGH to DQ HIGH-Z output	–	22.5	ns
tOW	End of write to LOW-Z output	0	–	ns

Note

5. All parameters guaranteed by design and validated through characterization.

ADMux Timing for Asynchronous Access

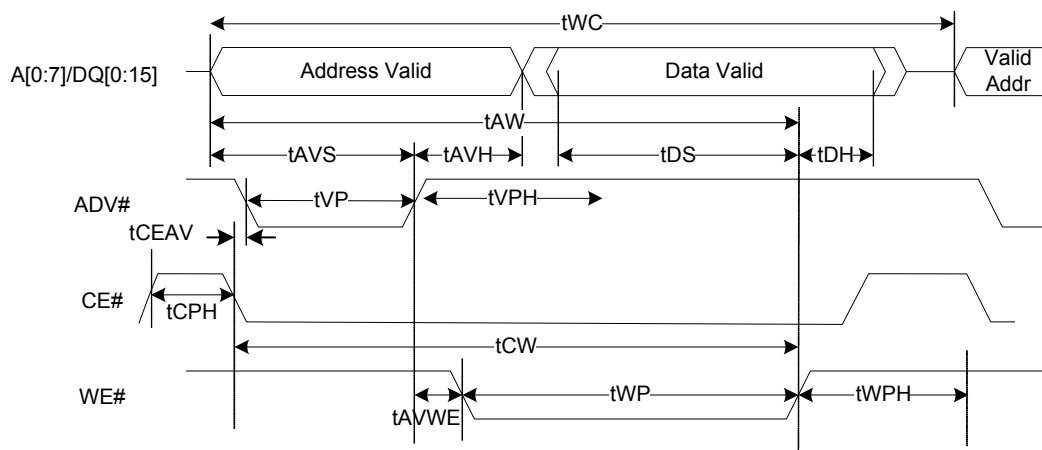
Figure 18. ADMux Asynchronous Random Read



Note:

1. Multiple read cycles can be executed while keeping CE# low.
2. Read operation ends with either de-assertion of either OE# or CE#, whichever comes earlier.

Figure 19. ADMux Asynchronous Random Write



Note:

1. Multiple write cycles can be executed while keeping CE# low.
2. Write operation ends with de-assertion of either WE# or CE#, whichever comes earlier.

Table 10. Asynchronous ADMux Timing Parameters [6]

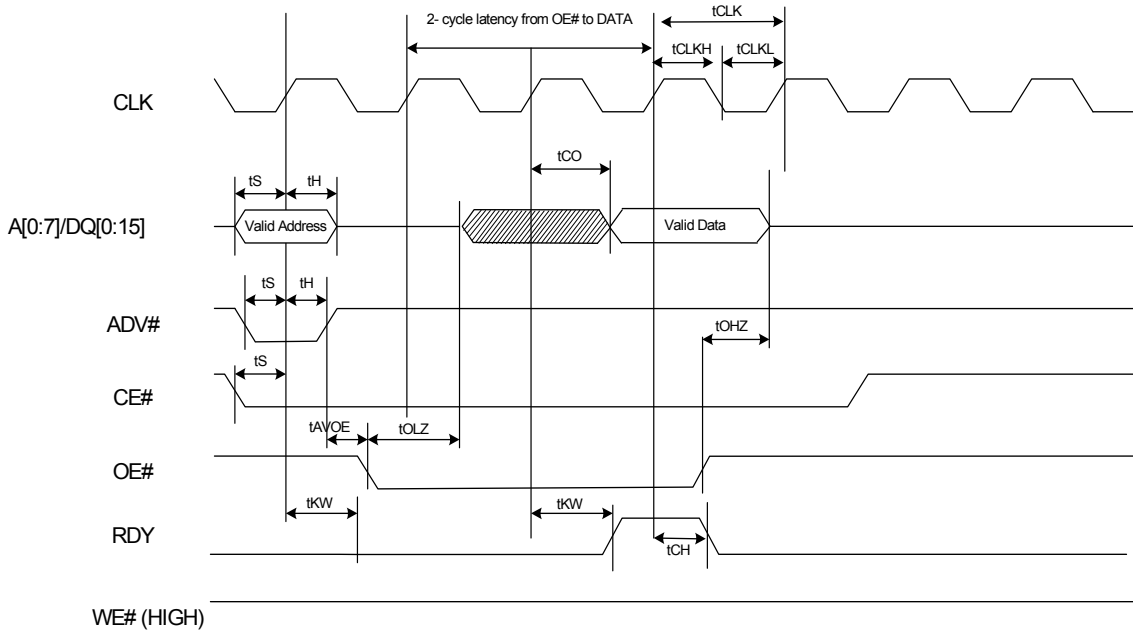
Parameter	Description	Min	Max	Units	Notes
<b>ADMux Asynchronous READ Access Timing Parameters</b>					
tRC	Read cycle time (address valid to address valid)	54.5	–	ns	This parameter is dependent on when the P-port processors deasserts OE#
tACC	Address valid to data valid	–	32	ns	
tCO	CE# assert to data valid	–	34.5	ns	
tAVOE	ADV# deassert to OE# assert	2	–	ns	
tOLZ	OE# assert to data LOW-Z	0	–	ns	
tOE	OE# assert to data valid	–	25	ns	
tHZ	Read cycle end to data HIGH-Z	–	22.5	ns	
<b>ADMux Asynchronous WRITE Access Timing Parameters</b>					
tWC	Write cycle time (Address Valid to Address Valid)	–	52.5	ns	
tAW	Address valid to write end	30	–	ns	
tCW	CE# assert to write end	30	–	ns	
tAVWE	ADV# deassert to WE# assert	2	–	ns	
tWP	WE# LOW pulse width	20	–	ns	
tWPH	WE# HIGH pulse width	10	–	ns	
tDS	Data valid setup to WE# deassert	18	–	ns	
tDH	Data valid hold from WE# deassert	2	–	ns	
<b>ADMux Asynchronous Common READ/WRITE Access Timing Parameters</b>					
tAVS	Address valid setup to ADV# deassert	5	–	ns	
tAVH	Address valid hold from ADV# deassert	2	–	ns	
tVP	ADV# LOW pulse width	7.5	–	ns	
tCPH	CE# HIGH pulse width	10	–	ns	
tVPH	ADV# HIGH pulse width	15	–	ns	
tCEAV	CE# assert to ADV# assert	0	–	ns	

**Note**

6. All parameters guaranteed by design and validated through characterization.

Synchronous ADMux Timing

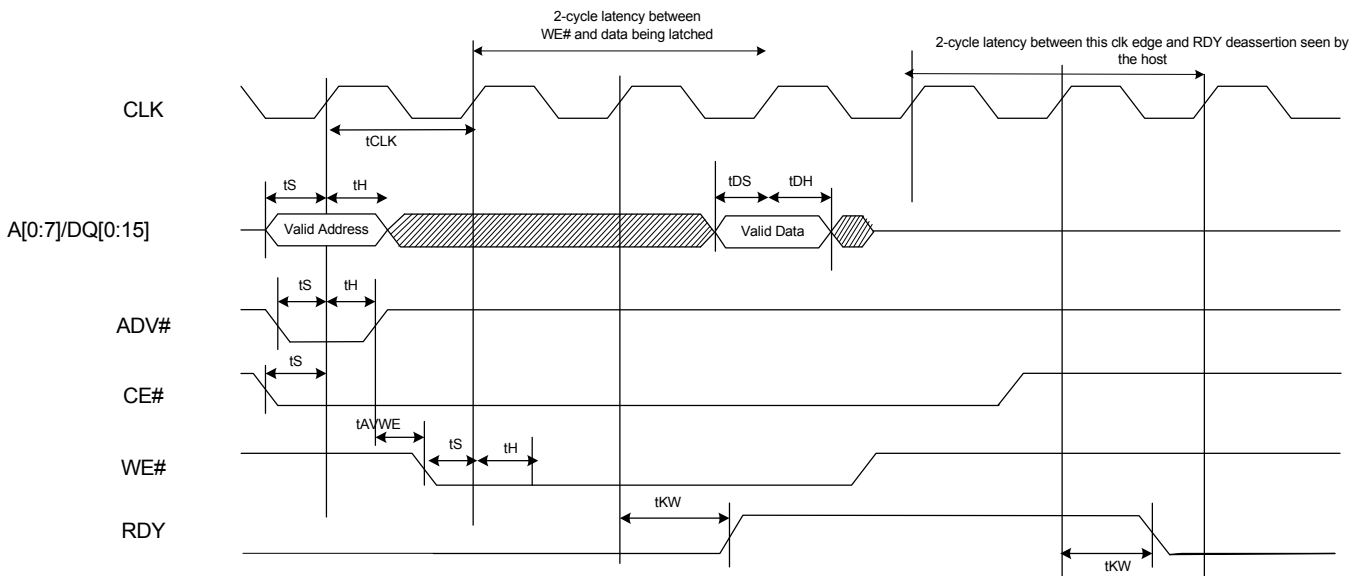
Figure 20. Synchronous ADMux Interface – Read Cycle Timing



Note:

- 1) External P-Port processor and FX3S operate on the same clock edge
- 2) External processor sees RDY assert 2 cycles after OE # asserts andand sees RDY deassert a cycle after the data appears on the output
- 3) Valid output data appears 2 cycle after OE # asserted. The data is held until OE # deasserts
- 4) Two cycle latency is shown for 0-100 MHz operation. Latency can be reduced by 1 cycle for operations at less than 50 MHz (this 1 cycle latency is not supported by the bootloader)

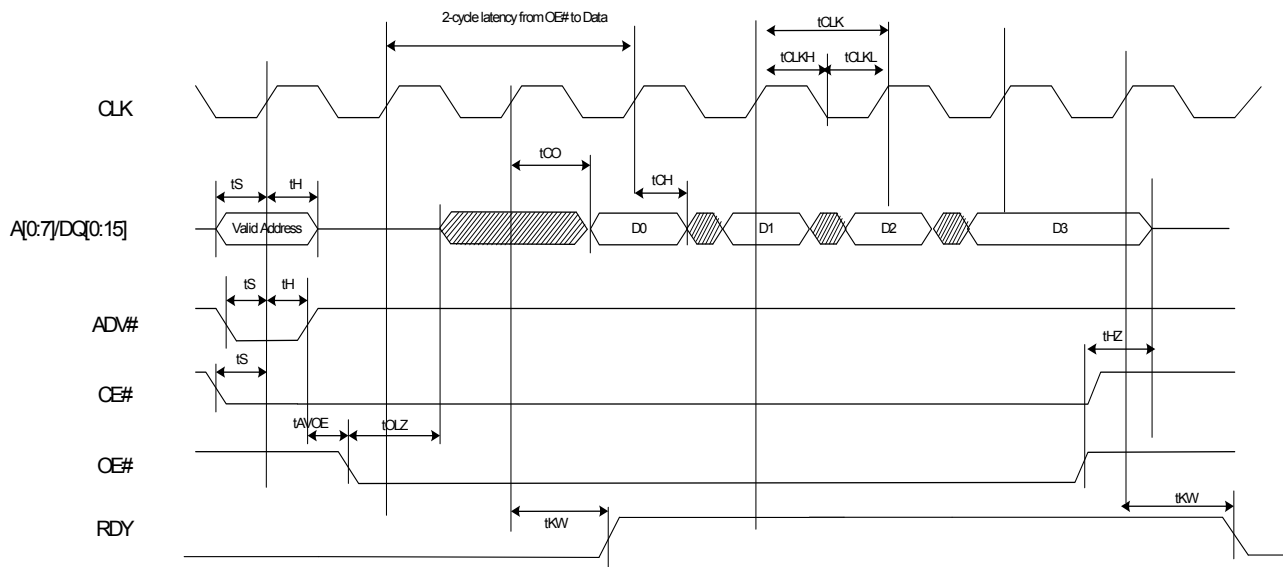
Figure 21. Synchronous ADMux Interface – Write Cycle Timing



Note:

- 1) External P-Port processor and FX3S operate on the same clock edge
- 2) External processor sees RDY assert 2 cycles after WE # asserts and deassert 3 cycles after the edge sampling the data.
- 3) Two cycle latency is shown for 0-100 MHz operation. Latency can be reduced by 1 cycle for operations at less than 50 MHz (this 1 cycle latency is not supported by the bootloader)

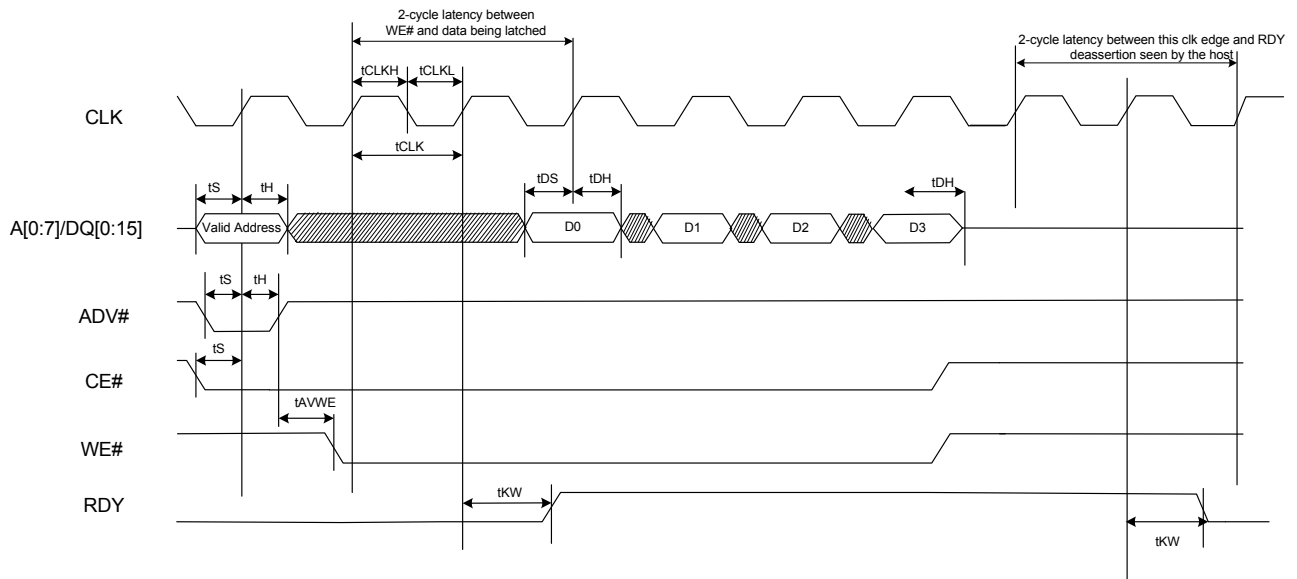
Figure 22. Synchronous ADMux Interface – Burst Read Timing



Note:

- 1) External P-Port processor and FX3S work operate on the same clock edge
- 2) External processor sees RDY assert 2 cycles after OE # asserts and and sees RDY deassert a cycle after the last burst data appears on the output
- 3) Valid output data appears 2 cycle after OE # asserted. The last burst data is held until OE # deasserts
- 4) Burst size of 4 is shown. Transfer size for the operation must be a multiple of burst size. Burst size is usually power of 2. RDY will not deassert in the middle of the burst.
- 5) External processor cannot deassert OE in the middle of a burst. If it does so, any bytes remaining in the burst packet could get lost.
- 6) Two cycle latency is shown for 0-100 MHz operation. Latency can be reduced by 1 cycle for operations at less than 50 MHz (this 1 cycle latency is not supported by the bootloader)

Figure 23. Sync ADMux Interface – Burst Write Timing



Note:

- 1) External P-Port processor and FX3S operate on the same clock edge
- 2) External processor sees RDY assert 2 cycles after WE # asserts and deasserts 3 cycles after the edge sampling the last burst data.
- 3) Transfer size for the operation must be a multiple of burst size. Burst size is usually power of 2. RDY will not deassert in the middle of the burst. Burst size of 4 is shown
- 4) External processor cannot deassert WE in the middle of a burst. If it does so, any bytes remaining in the burst packet could get lost.
- 5) Two cycle latency is shown for 0-100 MHz operation. Latency can be reduced by 1 cycle for operations at less than 50 MHz (this 1 cycle latency is not supported by the bootloader)

**Table 11. Synchronous ADMux Timing Parameters<sup>[7]</sup>**

Parameter	Description	Min	Max	Unit
FREQ	Interface clock frequency	–	100	MHz
tCLK	Clock period	10	–	ns
tCLKH	Clock HIGH time	4	–	ns
tCLKL	Clock LOW time	4	–	ns
tS	CE#/WE#/DQ setup time	2	–	ns
tH	CE#/WE#/DQ hold time	0.5	–	ns
tCH	Clock to data output hold time	0	–	ns
tDS	Data input setup time	2	–	ns
tDH	Clock to data input hold	0.5	–	ns
tAVDOE	ADV# HIGH to OE# LOW	0	–	ns
tAVDWE	ADV# HIGH to WE# LOW	0	–	ns
tHZ	CE# HIGH to Data HIGH-Z	–	8	ns
tOHZ	OE# HIGH to Data HIGH-Z	–	8	ns
tOLZ	OE# LOW to Data LOW-Z	0	–	ns
tKW	Clock to RDY valid	–	8	ns

**Note**

7. All parameters guaranteed by design and validated through characterization.

**Slave FIFO Interface**

*Synchronous Slave FIFO Sequence Description*

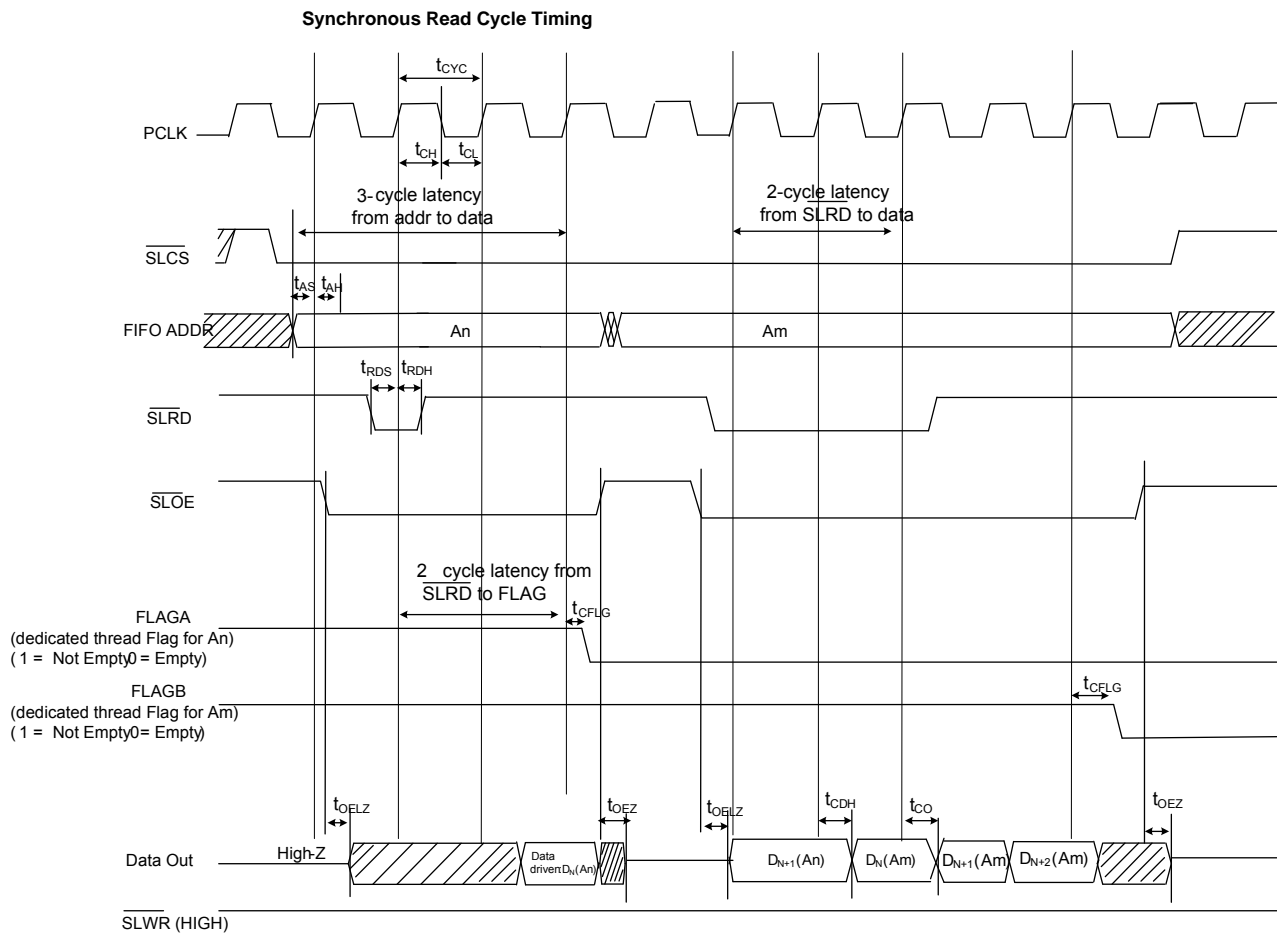
- FIFO address is stable and SLCS is asserted
- SLOE is asserted. SLOE is an output-enable only, whose sole function is to drive the data bus.
- SLRD is asserted
- The FIFO pointer is updated on the rising edge of the PCLK, while the SLRD is asserted. This starts the propagation of data from the newly addressed location to the data bus. After a propagation delay of  $t_{CO}$  (measured from the rising edge of

PCLK), the new data value is present. N is the first data value read from the FIFO. To have data on the FIFO data bus, SLOE must also be asserted.

The same sequence of events is shown for a burst read.

**Note** For burst mode, the SLRD# and SLOE# are asserted during the entire duration of the read. When SLOE# is asserted, the data bus is driven (with data from the previously addressed FIFO). For each subsequent rising edge of PCLK, while the SLRD# is asserted, the FIFO pointer is incremented and the next data value is placed on the data bus.

**Figure 24. Synchronous Slave FIFO Read Mode**



**Synchronous Slave FIFO Write Sequence Description**

- FIFO address is stable and the signal SLCS# is asserted
- External master or peripheral outputs the data to the data bus
- SLWR# is asserted
- While the SLWR# is asserted, data is written to the FIFO and on the rising edge of the PCLK, the FIFO pointer is incremented
- The FIFO flag is updated after a delay of  $t_{WFLG}$  from the rising edge of the clock

The same sequence of events is also shown for burst write

**Note** For the burst mode, SLWR# and SLCS# are asserted for the entire duration, during which all the required data values are written. In this burst write mode, after the SLWR# is asserted, the data on the FIFO data bus is written to the FIFO on every rising

edge of PCLK. The FIFO pointer is updated on each rising edge of PCLK.

**Short Packet:** A short packet can be committed to the USB host by using the PKTEND#. The external device or processor should be designed to assert the PKTEND# along with the last word of data and SLWR# pulse corresponding to the last word. The FIFOADDR lines must be held constant during the PKTEND# assertion.

**Zero-Length Packet:** The external device or processor can signal a Zero-Length Packet (ZLP) to FX3S simply by asserting PKTEND#, without asserting SLWR#. SLCS# and address must be driven as shown in Figure 25 on page 34.

**FLAG Usage:** The FLAG signals are monitored for flow control by the external processor. FLAG signals are outputs from FX3S that may be configured to show empty, full, or partial status for a dedicated thread or the current thread that is addressed.

**Figure 25. Synchronous Slave FIFO Write Mode**

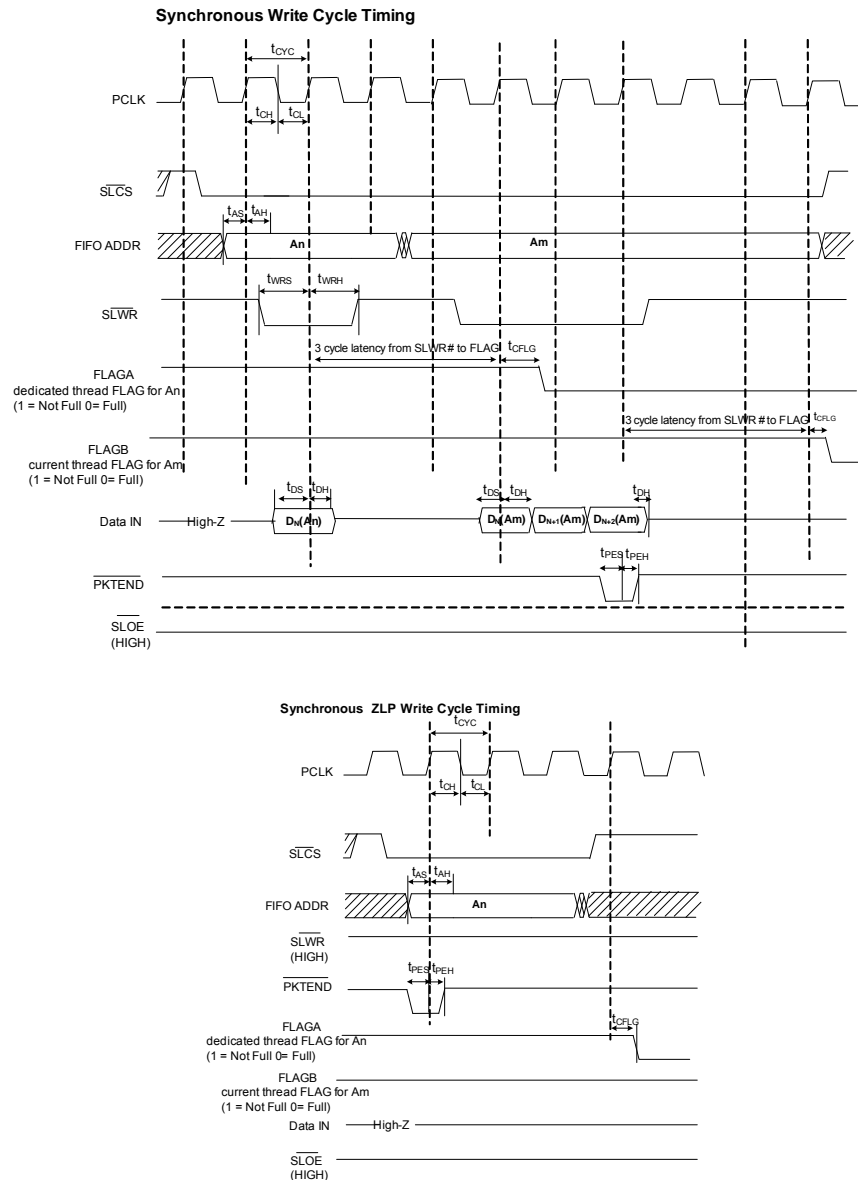


Table 12. Synchronous Slave FIFO Parameters<sup>[8]</sup>

Parameter	Description	Min	Max	Units
FREQ	Interface clock frequency	–	100	MHz
tCYC	Clock period	10	–	ns
tCH	Clock high time	4	–	ns
tCL	Clock low time	4	–	ns
tRDS	SLRD# to CLK setup time	2	–	ns
tRDH	SLRD# to CLK hold time	0.5	–	ns
tWRS	SLWR# to CLK setup time	2	–	ns
tWRH	SLWR# to CLK hold time	0.5	–	ns
tCO	Clock to valid data	–	8	ns
tDS	Data input setup time	2	–	ns
tDH	CLK to data input hold	0.5	–	ns
tAS	Address to CLK setup time	2	–	ns
tAH	CLK to address hold time	0.5	–	ns
tOELZ	SLOE# to data low-Z	0	–	ns
tCFLG	CLK to flag output propagation delay	–	8	ns
tOEZ	SLOE# deassert to Data Hi Z	–	8	ns
tPES	PKTEND# to CLK setup	2	–	ns
tPEH	CLK to PKTEND# hold	0.5	–	
tCDH	CLK to data output hold	2	–	ns

**Note** Three-cycle latency from ADDR to DATA/FLAGS

**Asynchronous Slave FIFO Read Sequence Description**

- FIFO address is stable and the SLCS# signal is asserted.
- SLOE# is asserted. This results in driving the data bus.
- SLRD # is asserted.
- Data from the FIFO is driven after assertion of SLRD#. This data is valid after a propagation delay of tRDO from the falling edge of SLRD#.
- FIFO pointer is incremented on deassertion of SLRD#

In Figure 26 on page 36, data N is the first valid data read from the FIFO. For data to appear on the data bus during the read cycle, SLOE# must be in an asserted state. SLRD# and SLOE# can also be tied.

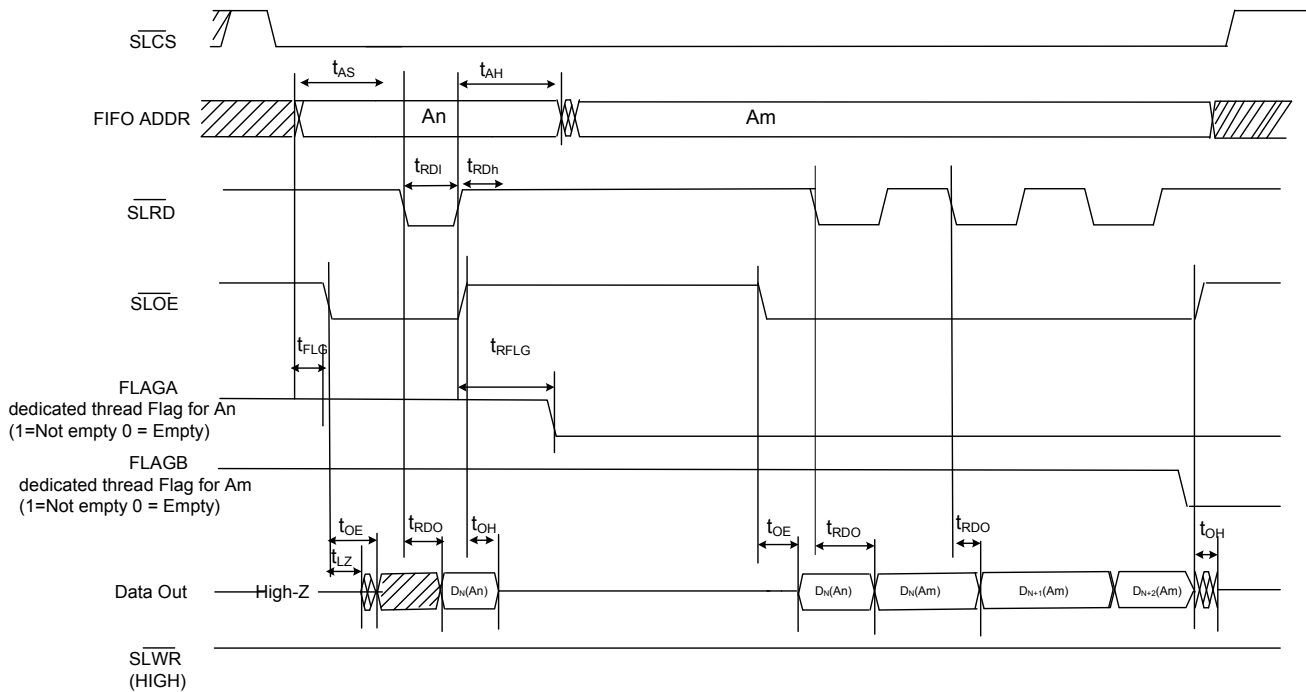
The same sequence of events is also shown for a burst read.

**Note** In the burst read mode, during SLOE# assertion, the data bus is in a driven state (data is driven from a previously addressed FIFO). After assertion of SLRD# data from the FIFO is driven on the data bus (SLOE# must also be asserted). The FIFO pointer is incremented after deassertion of SLRD#.

**Note**

8. All parameters guaranteed by design and validated through characterization.

Figure 26. Asynchronous Slave FIFO Read Mode



**Asynchronous Slave FIFO Write Sequence Description**

- FIFO address is driven and SLCS# is asserted
- SLWR# is asserted. SLCS# must be asserted with SLWR# or before SLWR# is asserted
- Data must be present on the tWRS bus before the deasserting edge of SLWR#
- Deassertion of SLWR# causes the data to be written from the data bus to the FIFO, and then the FIFO pointer is incremented
- The FIFO flag is updated after the tWFLG from the deasserting edge of SLWR.

The same sequence of events is shown for a burst write.  
 Note that in the burst write mode, after SLWR# deassertion, the data is written to the FIFO, and then the FIFO pointer is incremented.

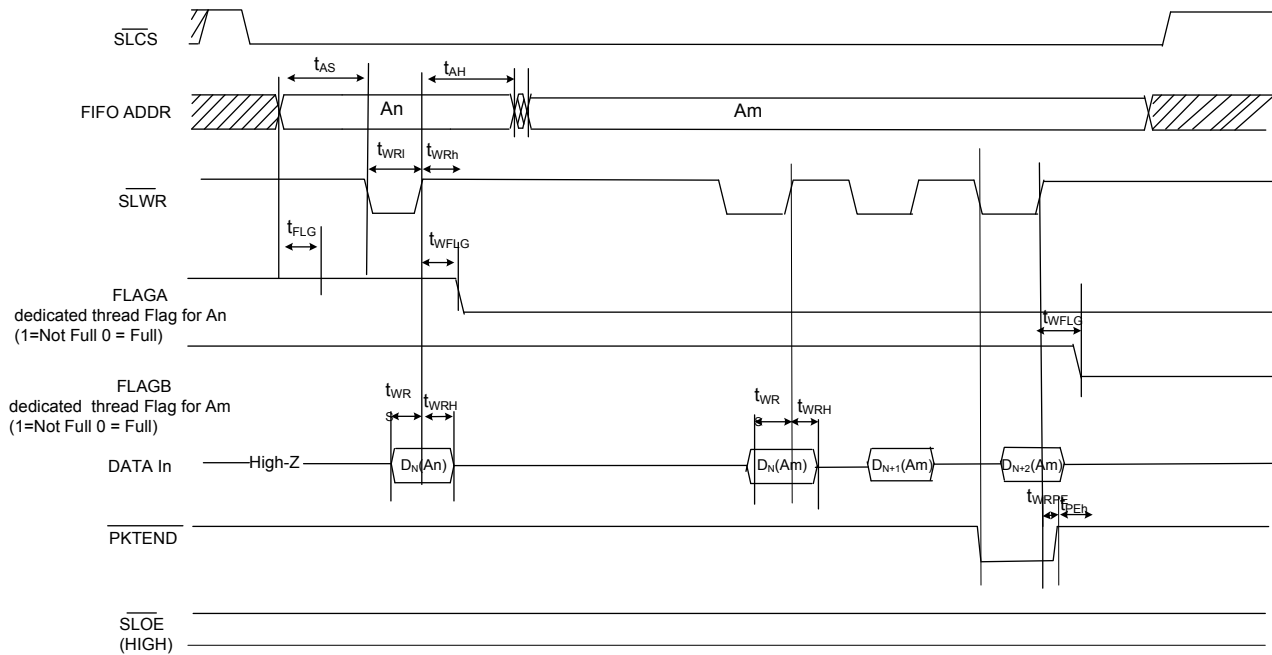
**Short Packet:** A short packet can be committed to the USB host by using the PKTEND#. The external device or processor should be designed to assert the PKTEND# along with the last word of data and SLWR# pulse corresponding to the last word. The FIFOADDR lines must be held constant during the PKTEND# assertion.

**Zero-Length Packet:** The external device or processor can signal a zero-length packet (ZLP) to FX3S simply by asserting PKTEND#, without asserting SLWR#. SLCS# and the address must be driven as shown in Figure 27 on page 37.

**FLAG Usage:** The FLAG signals are monitored by the external processor for flow control. FLAG signals are FX3S outputs that can be configured to show empty, full, and partial status for a dedicated address or the current address.

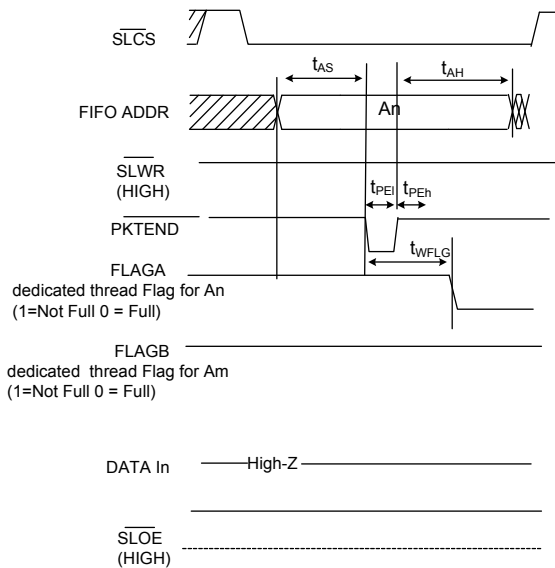
Figure 27. Asynchronous Slave FIFO Write Mode

Asynchronous Write Cycle Timing



$t_{WRPE}$ :  $\overline{SLWR\#}$  de-assert to PKTEND deassert = 2ns min (This means that PKTEND should not be deasserted before  $\overline{SLWR\#}$ )  
 Note: PKTEND must be asserted at the same time as  $\overline{SLWR\#}$ .

Asynchronous ZLP Write Cycle Timing



**Table 13. Asynchronous Slave FIFO Parameters<sup>[9]</sup>**

Parameter	Description	Min	Max	Units
tRDI	SLRD# low	20	–	ns
tRDh	SLRD# high	10	–	ns
tAS	Address to SLRD#/SLWR# setup time	7	–	ns
tAH	SLRD#/SLWR#/PKTEND to address hold time	2	–	ns
tRFLG	SLRD# to FLAGS output propagation delay	–	35	ns
tFLG	ADDR to FLAGS output propagation delay	–	22.5	
tRDO	SLRD# to data valid	–	25	ns
tOE	OE# low to data valid	–	25	ns
tLZ	OE# low to data low-Z	0	–	ns
tOH	SLOE# deassert data output hold	–	22.5	ns
tWRI	SLWR# low	20	–	ns
tWRh	SLWR# high	10	–	ns
tWRS	Data to SLWR# setup time	7	–	ns
tWRH	SLWR# to Data Hold time	2	–	ns
tWFLG	SLWR#/PKTEND to Flags output propagation delay	–	35	ns
tPEI	PKTEND low	20	–	ns
tPEh	PKTEND high	7.5	–	ns
tWRPE	SLWR# deassert to PKTEND deassert	2	–	

**Note**

9. All parameters guaranteed by design and validated through characterization.

**Storage Port Timing**

The S0-Port and S1-Port support the MMC Specification Version 4.41 and SD Specification Version 3.0. [Table 14](#) lists the timing parameters for S-Port of the FX3S device.

**Table 14. S-Port Timing Parameters<sup>[10]</sup>**

Parameter	Description	Min	Max	Units
<b>MMC-20</b>				
tSDIS CMD	Host input setup time for CMD	4.8	–	ns
tSDIS DAT	Host input setup time for DAT	4.8	–	ns
tSDIH CMD	Host input hold time for CMD	4.4	–	ns
tSDIH DAT	Host input hold time for DAT	4.4	–	ns
tSDOS CMD	Host output setup time for CMD	5	–	ns
tSDOS DAT	Host output setup time for DAT	5	–	ns
tSDOH CMD	Host output hold time for CMD	5	–	ns
tSDOH DAT	Host output hold time for DAT	5	–	ns
tSCLKR	Clock rise time	–	2	ns
tSCLKF	Clock fall time	–	2	ns
tSDCK	Clock cycle time	50	–	ns
SDFREQ	Clock frequency	–	20	MHz
tSDCLKOD	Clock duty cycle	40	60	%
<b>MMC-26</b>				
tSDIS CMD	Host input setup time for CMD	10	–	ns
tSDIS DAT	Host input setup time for DAT	10	–	ns
tSDIH CMD	Host input hold time for CMD	9	–	ns
tSDIH DAT	Host input hold time for DAT	9	–	ns
tSDOS CMD	Host output setup time for CMD	3	–	ns
tSDOS DAT	Host output setup time for DAT	3	–	ns
tSDOH CMD	Host output hold time for CMD	3	–	ns
tSDOH DAT	Host output hold time for DAT	3	–	ns
tSCLKR	Clock rise time	–	2	ns
tSCLKF	Clock fall time	–	2	ns
tSDCK	Clock cycle time	38.5	–	ns
SDFREQ	Clock frequency	–	26	MHz
tSDCLKOD	Clock duty cycle	40	60	%
<b>MC-HS</b>				
tSDIS CMD	Host input setup time for CMD	4	–	ns
tSDIS DAT	Host input setup time for DAT	4	–	ns
tSDIH CMD	Host input hold time for CMD	3	–	ns
tSDIH DAT	Host input hold time for DAT	3	–	ns
tSDOS CMD	Host output setup time for CMD	3	–	ns
tSDOS DAT	Host output setup time for DAT	3	–	ns
tSDOH CMD	Host output hold time for CMD	3	–	ns
tSDOH DAT	Host output hold time for DAT	3	–	ns

**Note**

10. All parameters guaranteed by design and validated through characterization.

**Table 14. S-Port Timing Parameters<sup>[10]</sup> (continued)**

Parameter	Description	Min	Max	Units
tSCLKR	Clock rise time	–	2	ns
tSCLKF	Clock fall time	–	2	ns
tSDCK	Clock cycle time	19.2	–	ns
SDFREQ	Clock frequency	–	52	MHz
tSDCLKOD	Clock duty cycle	40	60	%
<b>MMC-DDR52</b>				
tSDIS CMD	Host input setup time for CMD	4	–	ns
tSDIS DAT	Host input setup time for DAT	0.56	–	ns
tSDIH CMD	Host input hold time for CMD	3	–	ns
tSDIH DAT	Host input hold time for DAT	2.58	–	ns
tSDOS CMD	Host output setup time for CMD	3	–	ns
tSDOS DAT	Host output setup time for DAT	2.5	–	ns
tSDOH CMD	Host output hold time for CMD	3	–	ns
tSDOH DAT	Host output hold time for DAT	2.5	–	ns
tSCLKR	Clock rise time	–	2	ns
tSCLKF	Clock fall time	–	2	ns
tSDCK	Clock cycle time	19.2	–	ns
SDFREQ	Clock frequency	–	52	MHz
tSDCLKOD	Clock duty cycle	45	55	%
<b>SD-Default Speed (SDR12)</b>				
tSDIS CMD	Host input setup time for CMD	24	–	ns
tSDIS DAT	Host input setup time for DAT	24	–	ns
tSDIH CMD	Host input hold time for CMD	2.5	–	ns
tSDIH DAT	Host input hold time for DAT	2.5	–	ns
tSDOS CMD	Host output setup time for CMD	5	–	ns
tSDOS DAT	Host output setup time for DAT	5	–	ns
tSDOH CMD	Host output hold time for CMD	5	–	ns
tSDOH DAT	Host output hold time for DAT	5	–	ns
tSCLKR	Clock rise time	–	2	ns
tSCLKF	Clock fall time	–	2	ns
tSDCK	Clock cycle time	40	–	ns
SDFREQ	Clock frequency	–	25	MHz
tSDCLKOD	Clock duty cycle	40	60	%
<b>SD-High-Speed (SDR25)</b>				
tSDIS CMD	Host input setup time for CMD	4	–	ns
tSDIS DAT	Host input setup time for DAT	4	–	ns
tSDIH CMD	Host input hold time for CMD	2.5	–	ns
tSDIH DAT	Host input hold time for DAT	2.5	–	ns
tSDOS CMD	Host output setup time for CMD	6	–	ns
tSDOS DAT	Host output setup time for DAT	6	–	ns
tSDOH CMD	Host output hold time for CMD	2	–	ns
tSDOH DAT	Host output hold time for DAT	2	–	ns

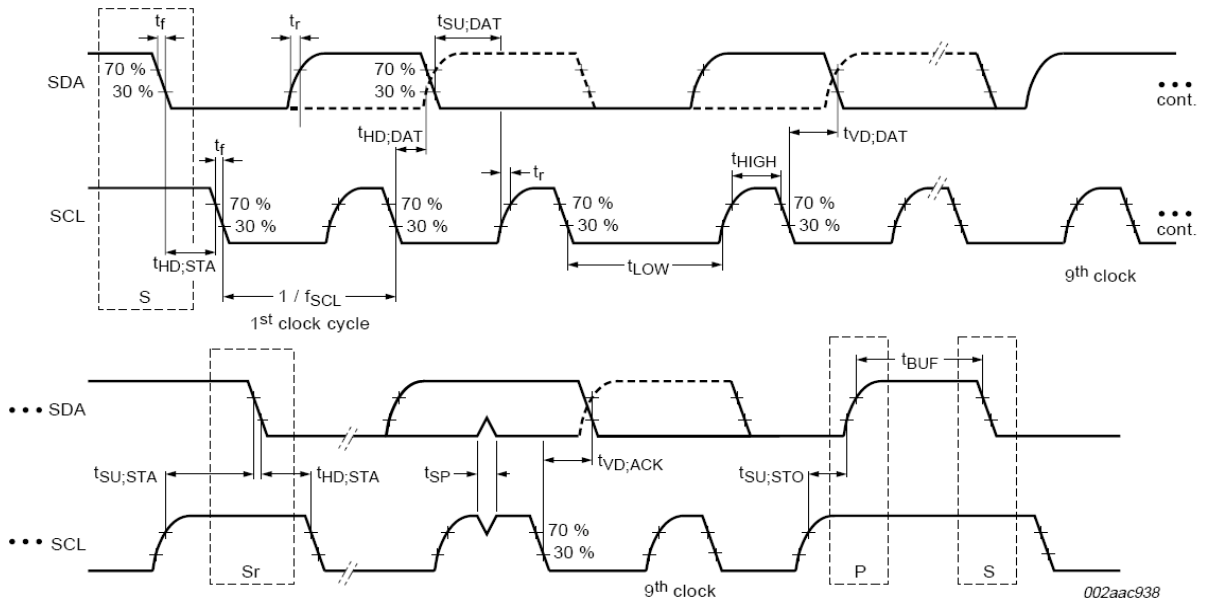
**Table 14. S-Port Timing Parameters<sup>[10]</sup> (continued)**

Parameter	Description	Min	Max	Units
tSCLKR	Clock rise time	–	2	ns
tSCLKF	Clock fall time	–	2	ns
tSDCK	Clock cycle time	20	–	ns
SDFREQ	Clock frequency	–	50	MHz
tSDCLKOD	Clock duty cycle	40	60	%
<b>SD-SDR50</b>				
tSDIS CMD	Host input setup time for CMD	1.5	–	ns
tSDIS DAT	Host input setup time for DAT	1.5	–	ns
tSDIH CMD	Host input hold time for CMD	2.5	–	ns
tSDIH DAT	Host input hold time for DAT	2.5	–	ns
tSDOS CMD	Host output setup time for CMD	3	–	ns
tSDOS DAT	Host output setup time for DAT	3	–	ns
tSDOH CMD	Host output hold time for CMD	0.8	–	ns
tSDOH DAT	Host output hold time for DAT	0.8	–	ns
tSCLKR	Clock rise time	–	2	ns
tSCLKF	Clock fall time	–	2	ns
tSDCK	Clock cycle time	10	–	ns
SDFREQ	Clock frequency	–	100	MHz
tSDCLKOD	Clock duty cycle	40	60	%
<b>SD-DDR50</b>				
tSDIS CMD	Host input setup time for CMD	4	–	ns
tSDIS DAT	Host input setup time for DAT	0.92	–	ns
tSDIH CMD	Host input hold time for CMD	2.5	–	ns
tSDIH DAT	Host input hold time for DAT	2.5	–	ns
tSDOS CMD	Host output setup time for CMD	6	–	ns
tSDOS DAT	Host output setup time for DAT	3	–	ns
tSDOH CMD	Host output hold time for CMD	0.8	–	ns
tSDOH DAT	Host output hold time for DAT	0.8	–	ns
tSCLKR	Clock rise time	–	2	ns
tSCLKF	Clock fall time	–	2	ns
tSDCK	Clock cycle time	20	–	ns
SDFREQ	Clock frequency	–	50	MHz
tSDCLKOD	Clock duty cycle	45	55	%

Serial Peripherals Timing

I<sup>2</sup>C Timing

Figure 28. I<sup>2</sup>C Timing Definition



**Table 15. I<sup>2</sup>C Timing Parameters<sup>[11]</sup>**

Parameter	Description	Min	Max	Units
<b>I<sup>2</sup>C Standard Mode Parameters</b>				
fSCL	SCL clock frequency	0	100	kHz
tHD:STA	Hold time START condition	4	–	μs
tLOW	LOW period of the SCL	4.7	–	μs
tHIGH	HIGH period of the SCL	4	–	μs
tSU:STA	Setup time for a repeated START condition	4.7	–	μs
tHD:DAT	Data hold time	0	–	μs
tSU:DAT	Data setup time	250	–	ns
tr	Rise time of both SDA and SCL signals	–	1000	ns
tf	Fall time of both SDA and SCL signals	–	300	ns
tSU:STO	Setup time for STOP condition	4	–	μs
tBUF	Bus free time between a STOP and START condition	4.7	–	μs
tVD:DAT	Data valid time	–	3.45	μs
tVD:ACK	Data valid ACK	–	3.45	μs
tSP	Pulse width of spikes that must be suppressed by input filter	n/a	n/a	
<b>I<sup>2</sup>C Fast Mode Parameters</b>				
fSCL	SCL clock frequency	0	400	kHz
tHD:STA	Hold time START condition	0.6	–	μs
tLOW	LOW period of the SCL	1.3	–	μs
tHIGH	HIGH period of the SCL	0.6	–	μs
tSU:STA	Setup time for a repeated START condition	0.6	–	μs
tHD:DAT	Data hold time	0	–	μs
tSU:DAT	Data setup time	100	–	ns
tr	Rise time of both SDA and SCL signals	–	300	ns
tf	Fall time of both SDA and SCL signals	–	300	ns
tSU:STO	Setup time for STOP condition	0.6	–	μs
tBUF	Bus free time between a STOP and START condition	1.3	–	μs
tVD:DAT	Data valid time	–	0.9	μs
tVD:ACK	Data valid ACK	–	0.9	μs
tSP	Pulse width of spikes that must be suppressed by input filter	0	50	ns
<b>I<sup>2</sup>C Fast Mode Plus Parameters (Not supported at I2C_VDDQ=1.2 V)</b>				
fSCL	SCL clock frequency	0	1000	kHz
tHD:STA	Hold time START condition	0.26	–	μs
tLOW	LOW period of the SCL	0.5	–	μs
tHIGH	HIGH period of the SCL	0.26	–	μs
tSU:STA	Setup time for a repeated START condition	0.26	–	μs

**Note**

11. All parameters guaranteed by design and validated through characterization.

Table 15. I<sup>2</sup>C Timing Parameters<sup>[11]</sup> (continued)

Parameter	Description	Min	Max	Units
tHD:DAT	Data hold time	0	–	μs
tSU:DAT	Data setup time	50	–	ns
tr	Rise time of both SDA and SCL signals	–	120	ns
tf	Fall time of both SDA and SCL signals	–	120	ns
tSU:STO	Setup time for STOP condition	0.26	–	μs
tBUF	Bus-free time between a STOP and START condition	0.5	–	μs
tVD:DAT	Data valid time	–	0.45	μs
tVD:ACK	Data valid ACK	–	0.55	μs
tSP	Pulse width of spikes that must be suppressed by input filter	0	50	ns

I<sup>2</sup>S Timing Diagram

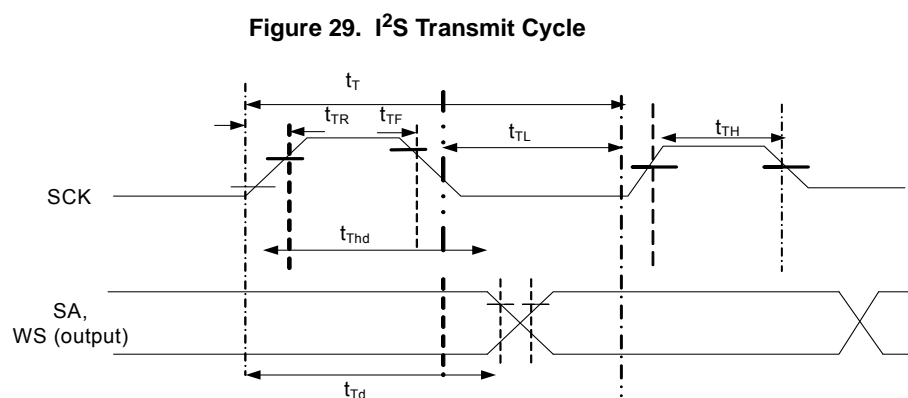


Table 16. I<sup>2</sup>S Timing Parameters<sup>[12]</sup>

Parameter	Description	Min	Max	Units
tT	I <sup>2</sup> S transmitter clock cycle	Ttr	–	ns
tTL	I <sup>2</sup> S transmitter cycle LOW period	0.35 Ttr	–	ns
tTH	I <sup>2</sup> S transmitter cycle HIGH period	0.35 Ttr	–	ns
tTR	I <sup>2</sup> S transmitter rise time	–	0.15 Ttr	ns
tTF	I <sup>2</sup> S transmitter fall time	–	0.15 Ttr	ns
tThd	I <sup>2</sup> S transmitter data hold time	0	–	ns
tTd	I <sup>2</sup> S transmitter delay time	–	0.8tT	ns

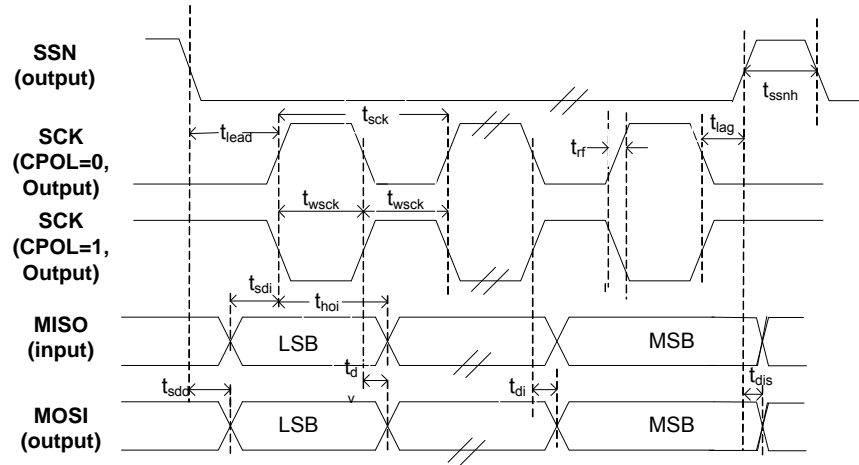
**Note** tT is selectable through clock gears. Max Ttr is designed for 96-kHz codec at 32 bits to be 326 ns (3.072 MHz).

**Note**

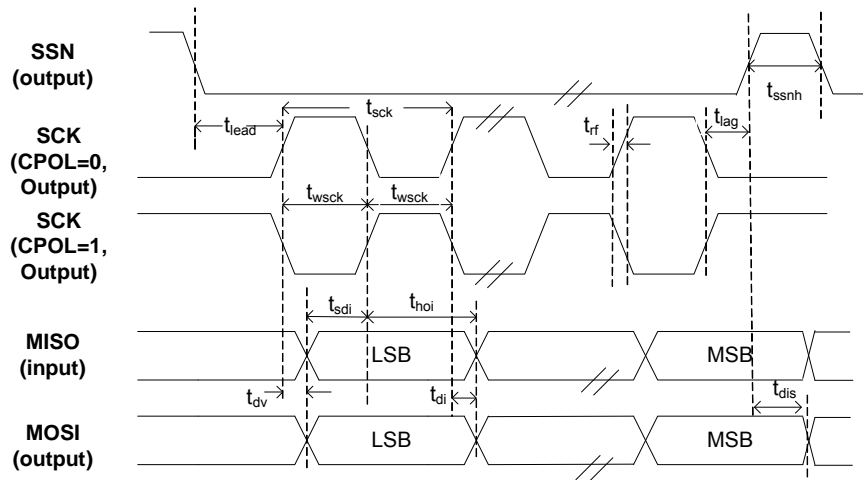
12. All parameters guaranteed by design and validated through characterization.

SPI Timing Specification

Figure 30. SPI Timing



SPI Master Timing for CPHA = 0



SPI Master Timing for CPHA = 1

Table 17. SPI Timing Parameters<sup>[13]</sup>

Parameter	Description	Min	Max	Units
fop	Operating frequency	0	33	MHz
tsck	Cycle time	30	–	ns
twscck	Clock high/low time	13.5	–	ns
tlead	SSN-SCK lead time	$1/2 \text{ tsck}^{[14]} - 5$	$1.5 \text{ tsck}^{[14]} + 5$	ns
tflag	Enable lag time	0.5	$1.5 \text{ tsck}^{[14]} + 5$	ns
trf	Rise/fall time	–	8	ns
tsdd	Output SSN to valid data delay time	–	5	ns
tdv	Output data valid time	–	5	ns
tdi	Output data invalid	0	–	ns
tssnh	Minimum SSN high time	10	–	ns
tsdi	Data setup time input	8	–	ns
thoi	Data hold time input	0	–	ns
tdis	Disable data output on SSN high	0	–	ns

**Notes**

13. All parameters guaranteed by design and validated through characterization.

14. Depends on LAG and LEAD setting in the SPI\_CONFIG register.

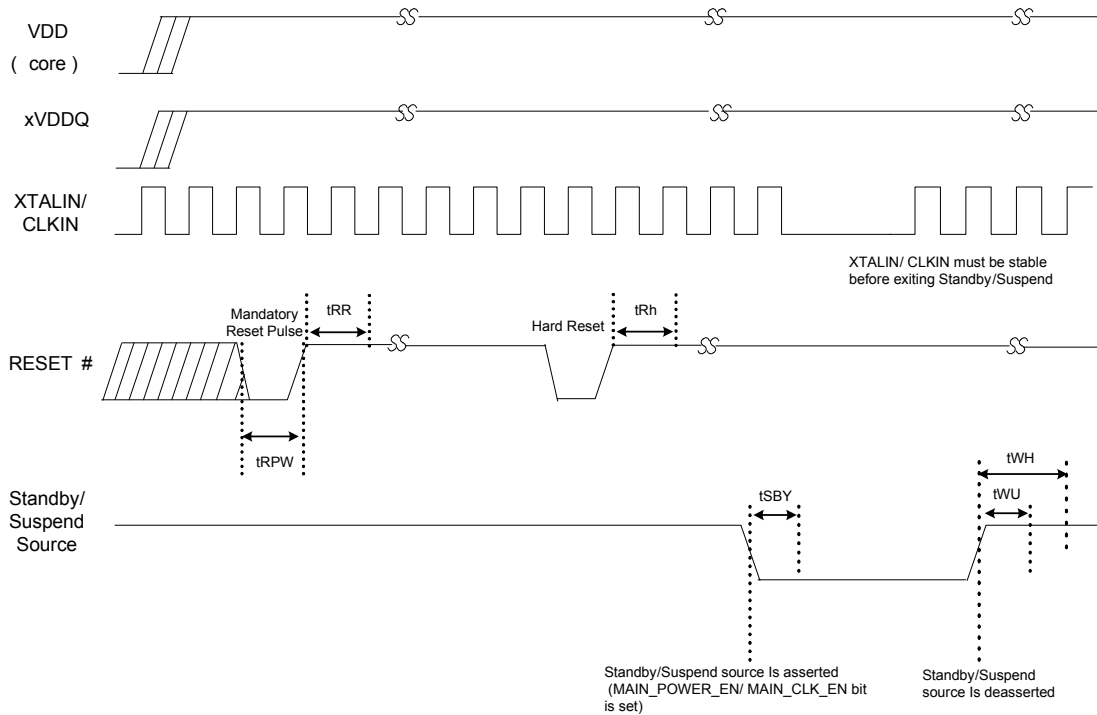
## Reset Sequence

FX3S's hard reset sequence requirements are specified in this section.

**Table 18. Reset and Standby Timing Parameters**

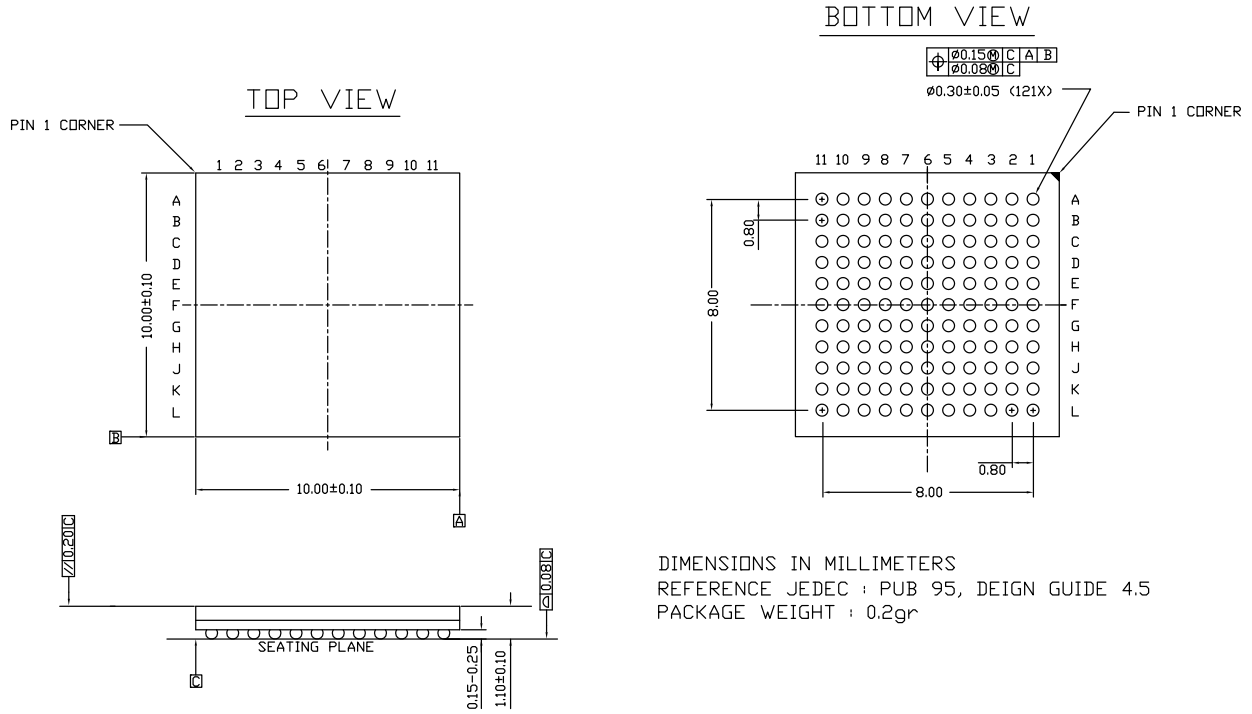
Parameter	Definition	Conditions	Min (ms)	Max (ms)
tRPW	Minimum RESET# pulse width	Clock Input	1	–
		Crystal Input	1	–
tRH	Minimum high on RESET#	–	5	–
tRR	Reset recovery time (after which Boot loader begins firmware download)	Clock Input	1	–
		Crystal Input	5	–
tSBY	Time to enter standby/suspend (from the time MAIN_CLOCK_EN/ MAIN_POWER_EN bit is set)	–	–	1
tWU	Time to wakeup from standby	Clock Input	1	–
		Crystal Input	5	–
tWH	Minimum time before Standby/Suspend source may be reasserted	–	5	–

**Figure 31. Reset Sequence**



Package Diagram

Figure 32. 121-ball FBGA (10 x 10 x 1.2 mm (0.30 mm Ball Diameter)) Package Outline, 001-54471



001-54471 \*D

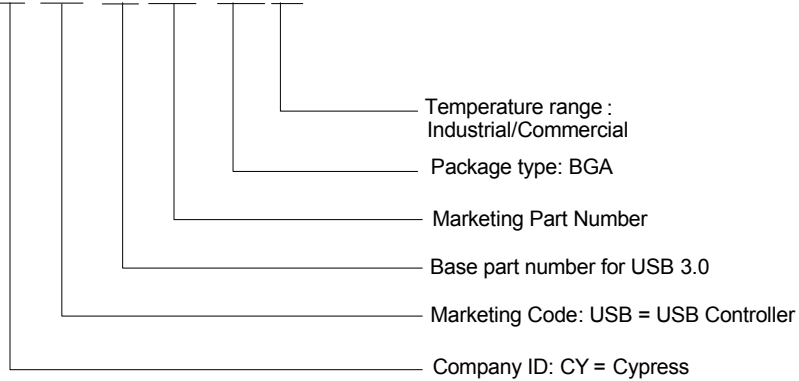
## Ordering Information

**Table 19. Device Ordering Information**

Ordering Code	SRAM (KB)	Storage Ports	HS-USB OTG	GPIF II Data Bus Width	Package Type
CYUSB3035-BZXI	512	2	Yes	16-bit	121-ball BGA
CYUSB3035-BZXC	512	2	Yes	16-bit	121-ball BGA
CYUSB3033-BZXC	512	1	Yes	16-bit	121-ball BGA
CYUSB3031-BZXC	256	1	No	16-bit	121-ball BGA

### Ordering Code Definitions

CY USB 3 XXX BZX I/C



## Acronyms

Acronym	Description
DMA	Direct Memory Access
HNP	Host Negotiation Protocol
MMC	Multimedia Card
MTP	Media Transfer Protocol
PLL	Phase Locked Loop
PMIC	Power Management IC
SD	Secure Digital
SDIO	Secure Digital Input/Output
SLC	Single-Level Cell
SLCS	Slave Chip Select
SLOE	Slave Output Enable
SLRD	Slave Read
SLWR	Slave Write
SPI	Serial Peripheral Interface
SRP	Session Request Protocol
USB	Universal Serial Bus
WLCSP	Wafer Level Chip Scale Package

## Document Conventions

### Units of Measure

Symbol	Unit of Measure
°C	degree Celsius
Mbps	megabits per second
MBps	megabytes per second
MHz	megahertz
μA	microampere
μs	microsecond
mA	milliampere
ms	millisecond
ns	nanosecond
Ω	ohm
pF	picofarad
V	volt

**Document History Page**

Document Title: CYUSB303X, EZ-USB® FX3S SuperSpeed USB Controller Document Number: 001-84160				
Revision	ECN	Orig. of Change	Submission Date	Description of Change
**	3786345	SAMT	12/06/2012	New data sheet.
*A	3900859	SAMT	02/11/2013	Updated <a href="#">Ordering Information</a> (Updated part numbers).
*B	4027072	SAMT	06/20/2013	Updated <a href="#">Ordering Information</a> (Updated part numbers). Updated in new template.
*C	4132176	GSZ	09/23/2013	Updated <a href="#">Features</a> . Updated <a href="#">Applications</a> . Updated <a href="#">Functional Overview</a> . Updated <a href="#">Storage Port (S-Port)</a> . Replaced CYUSB3035 with CYUSB303X in all instances across the document.

## Sales, Solutions, and Legal Information

### Worldwide Sales and Design Support

Cypress maintains a worldwide network of offices, solution centers, manufacturer's representatives, and distributors. To find the office closest to you, visit us at [Cypress Locations](#).

#### Products

<a href="#">Automotive</a>	<a href="#">cypress.com/go/automotive</a>
<a href="#">Clocks &amp; Buffers</a>	<a href="#">cypress.com/go/clocks</a>
<a href="#">Interface</a>	<a href="#">cypress.com/go/interface</a>
<a href="#">Lighting &amp; Power Control</a>	<a href="#">cypress.com/go/powerpsoc</a> <a href="#">cypress.com/go/plc</a>
<a href="#">Memory</a>	<a href="#">cypress.com/go/memory</a>
<a href="#">PSoC</a>	<a href="#">cypress.com/go/psoc</a>
<a href="#">Touch Sensing</a>	<a href="#">cypress.com/go/touch</a>
<a href="#">USB Controllers</a>	<a href="#">cypress.com/go/USB</a>
<a href="#">Wireless/RF</a>	<a href="#">cypress.com/go/wireless</a>

#### PSoC® Solutions

[psoc.cypress.com/solutions](#)  
[PSoC 1](#) | [PSoC 3](#) | [PSoC 4](#) | [PSoC 5LP](#)

#### Cypress Developer Community

[Community](#) | [Forums](#) | [Blogs](#) | [Video](#) | [Training](#)

#### Technical Support

[cypress.com/go/support](#)

---

© Cypress Semiconductor Corporation, 2012-2013. The information contained herein is subject to change without notice. Cypress Semiconductor Corporation assumes no responsibility for the use of any circuitry other than circuitry embodied in a Cypress product. Nor does it convey or imply any license under patent or other rights. Cypress products are not warranted nor intended to be used for medical, life support, life saving, critical control or safety applications, unless pursuant to an express written agreement with Cypress. Furthermore, Cypress does not authorize its products for use as critical components in life-support systems where a malfunction or failure may reasonably be expected to result in significant injury to the user. The inclusion of Cypress products in life-support systems application implies that the manufacturer assumes all risk of such use and in doing so indemnifies Cypress against all charges.

Any Source Code (software and/or firmware) is owned by Cypress Semiconductor Corporation (Cypress) and is protected by and subject to worldwide patent protection (United States and foreign), United States copyright laws and international treaty provisions. Cypress hereby grants to licensee a personal, non-exclusive, non-transferable license to copy, use, modify, create derivative works of, and compile the Cypress Source Code and derivative works for the sole purpose of creating custom software and or firmware in support of licensee product to be used only in conjunction with a Cypress integrated circuit as specified in the applicable agreement. Any reproduction, modification, translation, compilation, or representation of this Source Code except as specified above is prohibited without the express written permission of Cypress.

Disclaimer: CYPRESS MAKES NO WARRANTY OF ANY KIND, EXPRESS OR IMPLIED, WITH REGARD TO THIS MATERIAL, INCLUDING, BUT NOT LIMITED TO, THE IMPLIED WARRANTIES OF MERCHANTABILITY AND FITNESS FOR A PARTICULAR PURPOSE. Cypress reserves the right to make changes without further notice to the materials described herein. Cypress does not assume any liability arising out of the application or use of any product or circuit described herein. Cypress does not authorize its products for use as critical components in life-support systems where a malfunction or failure may reasonably be expected to result in significant injury to the user. The inclusion of Cypress' product in a life-support systems application implies that the manufacturer assumes all risk of such use and in doing so indemnifies Cypress against all charges.

Use may be limited by and subject to the applicable Cypress software license agreement.