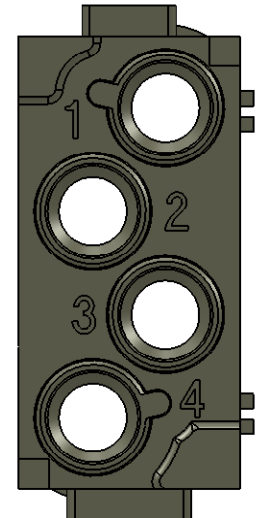
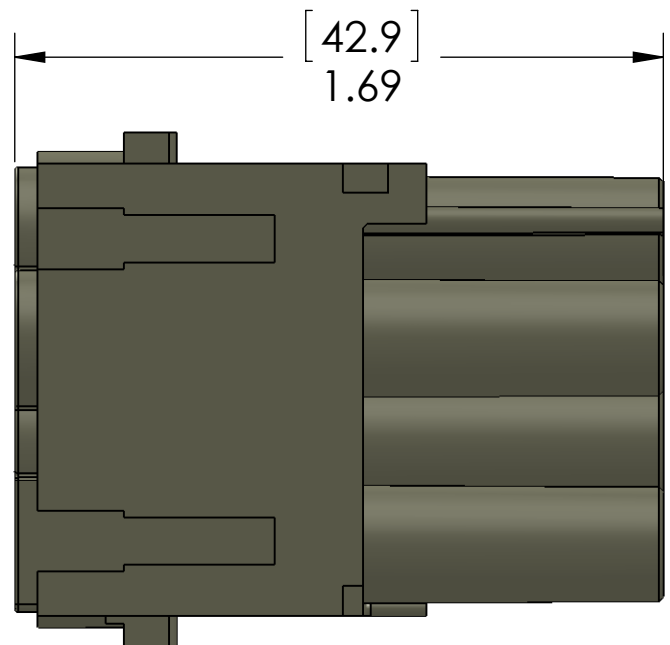
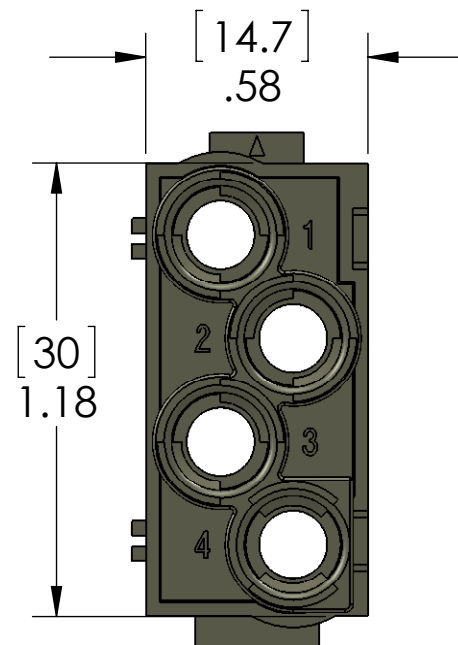
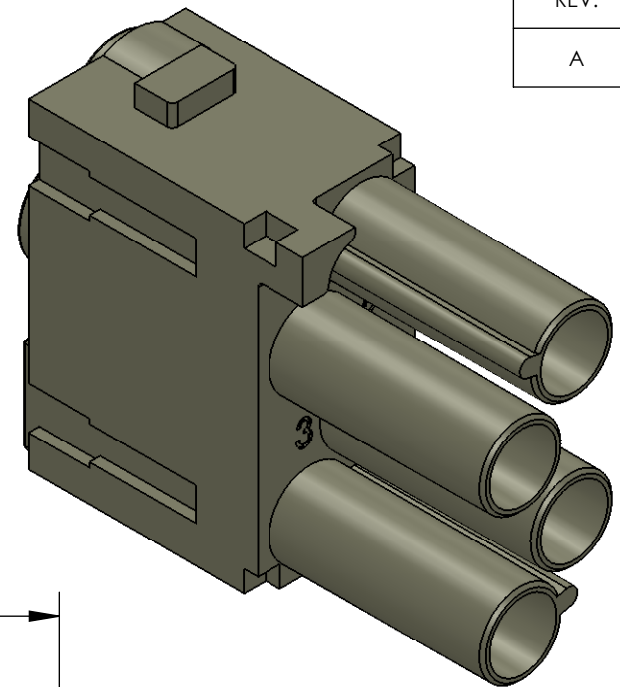


REVISIONS			
REV.	DESCRIPTION	DATE	APPROVED
A	REDRAWN IN SW	9/15/2011	



MATERIALS	
HOUSING:	GLASS REINFORCED THERMOPLASTIC
RATINGS:	830V, 40A

PROPRIETARY AND CONFIDENTIAL
 THE INFORMATION CONTAINED IN THIS DRAWING IS THE SOLE PROPERTY OF MENCOM CORPORATION. ANY REPRODUCTION IN PART OR AS A WHOLE WITHOUT THE WRITTEN PERMISSION OF MENCOM CORPORATION IS PROHIBITED.

UNLESS OTHERWISE SPECIFIED:		NAME
DIMENSIONS ARE IN INCHES AND [MM]		DWM
MATERIAL		
FINISH		
DO NOT SCALE DRAWING		
DRAWN		
CHECKED		
ENG APPR.		
MFG APPR.		
Q.A.		
COMMENTS:		

MENCOM CORPORATION		
TITLE:		
SIZE	DWG. NO.	REV
B	CX-04XF	A
SCALE: 2:1	WEIGHT:	SHEET 1 OF 1