

# CWT-7 ✓ ACTIVE

RAYCHEM | RAYCHEM CWT

TE Internal #: 678853-000

SolderSleeve Shield Terminators, 6.8 mm [.268 in] Expanded Inside, 3.3 mm [.13 in] Recovered Inside, Splash Protection, RAYCHEM CWT

[View on TE.com >](#)



Wire Protection & Management > Interconnect Devices > SolderSleeve Shield Terminators



Operating Temperature (Max): 125 °C

Expanded Inside Diameter (Min): 6.8 mm [.268 in]

Recovered Inside Diameter (Max): 3.3 mm [.13 in]

Pre-Installed Lead: No

Resistance Properties: **Splash Protection**

## Features

### Product Type Features

Temperature Indicator	No
-----------------------	----

### Configuration Features

Pre-Installed Lead	No
--------------------	----

### Dimensions

Shield Outside Diameter (Min)	3.7 mm[.145 in]
Compatible Jacket Diameter Range	7 mm[.276 in]
Product Length	32.5 mm[1.28 in]
Expanded Inside Diameter (Min)	6.8 mm[.268 in]
Recovered Inside Diameter (Max)	3.3 mm[.13 in]

### Usage Conditions

Operating Temperature (Max)	125 °C
Resistance Properties	Splash Protection
Wire Temperature (Max)	85 °C

### Industry Standards

MIL/NAS Specification (MIL-S-83519, NAS-1747)	No
Government Qualified	No

## Product Compliance



[For compliance documentation, visit the product page on TE.com>](#)

EU RoHS Directive 2011/65/EU	Not Compliant
EU ELV Directive 2000/53/EC	Not Compliant
China RoHS 2 Directive MIIT Order No 32, 2016	Restricted Materials Above Threshold
EU REACH Regulation (EC) No. 1907/2006	<p>Current ECHA Candidate List: JUNE 2024 (241)</p> <p>Candidate List Declared Against: JAN 2024 (240)</p> <p>SVHC &gt; Threshold:</p> <p>Cd (18% in Solder)</p> <p>Pb (32% in Solder)</p> <p><b>Article Safe Usage Statements:</b>                      Use personal protective equipment as required. Do not eat, drink or smoke when using this product. Wash thoroughly after handling. Recycle if possible and dispose of the article by following all applicable governmental regulations relevant to your geographic location.</p>
Halogen Content	Low Halogen - Br, Cl, F, I < 900 ppm per homogenous material. Also BFR/CFR/PVC Free
Solder Process Capability	Not applicable for solder process capability

Product Compliance Disclaimer

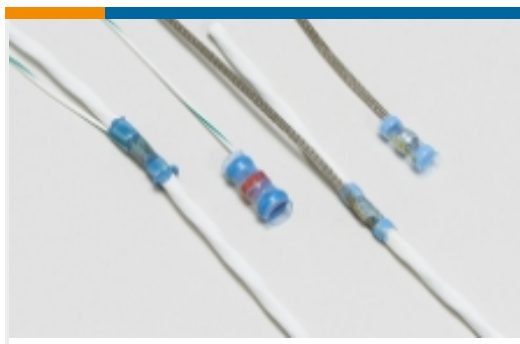
This information is provided based on reasonable inquiry of our suppliers and represents our current actual knowledge based on the information they provided. This information is subject to change. The part numbers that TE has identified as EU RoHS compliant have a maximum concentration of 0.1% by weight in homogenous materials for lead, hexavalent chromium, mercury, PBB, PBDE, DBP, BBP, DEHP, DIBP, and 0.01% for cadmium, or qualify for an exemption to these limits as defined in the Annexes of Directive 2011/65/EU (RoHS2). Finished electrical and electronic equipment products will be CE marked as required by Directive 2011/65/EU. Components may not be CE marked. Additionally, the part numbers that TE has identified as EU ELV compliant have a maximum concentration of 0.1% by weight in homogenous materials for lead, hexavalent chromium, and mercury, and 0.01% for cadmium, or qualify for an exemption to these limits as defined in the Annexes of Directive 2000/53/EC (ELV). Regarding the REACH Regulation, the information TE provides on SVHC in articles for this part number is based on the latest European Chemicals Agency (ECHA) 'Guidance on requirements for substances in articles' posted at this URL: <https://echa.europa.eu/guidance-documents/guidance-on-reach>

## Compatible Parts



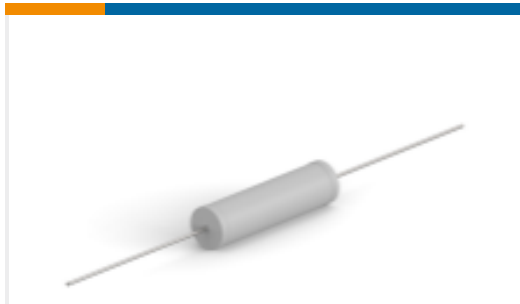
TE Part # EG8162-000  
HL1920E-230V-EURO

Also in the Series | **RAYCHEM CWT**

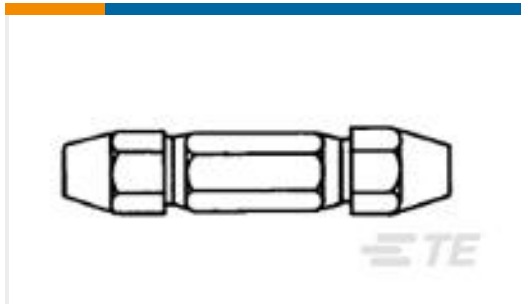


SolderSleeve Shield Terminators(24)

### Customers Also Bought



TE Part #9-2176414-3  
7W STD M/OX 5% 130K



TE Part #2-330495-1  
CLIP T-PT 031 X 062 SN 24 AWG



TE Part #5677952005  
RNF-3000-24/8-X-STK



TE Part #F97343-000  
HX-SCE-2.5K-4.8-50-S1-4



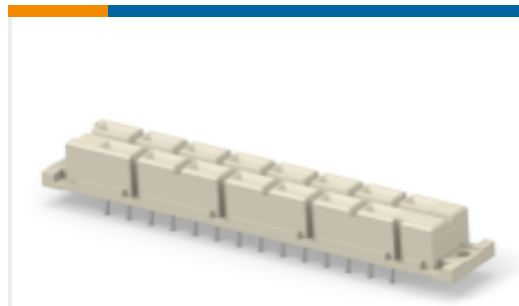
TE Part #796275-000  
CWT-13



TE Part #272423-000  
CWT-9



TE Part #427559-000  
CWT-6



TE Part #594751-E  
STVH15 15 F ZD WV 2 TL 4,3 \* 197 E  
172 T



TE Part #2-1103105-3  
HN.D.8.BU.C



TE Part #3-1105051-2  
HN.D-C-BU.AU.0,75

### Documents

#### Product Drawings

CWT-7

English

#### Datasheets & Catalog Pages

1654025\_Sec8\_B-155\_CWT\_D-110\_D-1744

English

#### Product Specifications

CWT-7

SolderSleeve Shield Terminators, 6.8 mm [.268 in] Expanded Inside, 3.3 mm [.13 in]  
Recovered Inside, Splash Protection, RAYCHEM CWT



## SolderSleeve One-Step Wire and Cable Terminators Installation Procedures for CWT and B-155 Products

English

### Product Specification

English