



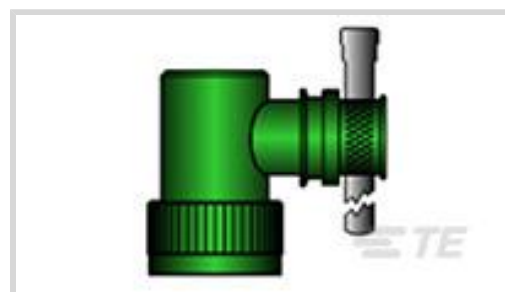
RAYCHEM | RAYCHEM AS85049

TE Internal #: CW3825-000

Unscreened, Backshell, .625 in [15.88 mm] Cable Entry, Aluminum Alloy, Right Angle, RAYCHEM AS85049

[View on TE.com >](#)

Connectors > Connector Accessories > Connector Backshells



Connector Backshell Product Style: **Unscreened**

Connector Backshell Product Type: **Backshell**

Cable Entry Diameter: **15.88 mm [.625 in]**

Primary Product Material: **Aluminum Alloy**

Body Orientation: **Right Angle**

Features

Product Type Features

| | |
|-----------------------------------|------------|
| Connector Backshell Product Style | Unscreened |
| Connector Backshell Product Type | Backshell |
| Sealable | No |

Body Features

| | |
|----------------------------------|----------------|
| Primary Product Material | Aluminum Alloy |
| Primary Product Plating Material | Cadmium |

Housing Features

| | |
|---------------------------------|-------------|
| Body Orientation | Right Angle |
| Compatible With Connector Shape | Circular |

Dimensions

| | |
|----------------------|-------------------|
| Product Length | 50.75 mm[1.99 in] |
| Cable Entry Diameter | 15.88 mm[.625 in] |

Other

| | |
|-----------------------------------|-------------------------------|
| Connector Interface Specification | MIL-DTL-38999 Series III & IV |
|-----------------------------------|-------------------------------|

Product Compliance

[For compliance documentation, visit the product page on TE.com>](#)

| | |
|------------------------------|---------------|
| EU RoHS Directive 2011/65/EU | Not Compliant |
|------------------------------|---------------|



EU ELV Directive 2000/53/EC

Compliant

China RoHS 2 Directive MIIT Order No 32, 2016

Restricted Materials Above Threshold

EU REACH Regulation (EC) No. 1907/2006

Current ECHA Candidate List: JUNE 2024 (241)

Candidate List Declared Against: JAN 2024 (240)

SVHC > Threshold:

Pb (.3% in BODY & NUT)

Cd (3% in BODY & NUT)

Article Safe Usage Statements:

Use personal protective equipment as required. Do not eat, drink or smoke when using this product. Wash thoroughly after handling. Recycle if possible and dispose of the article by following all applicable governmental regulations relevant to your geographic location.

Halogen Content

Low Halogen - Br, Cl, F, I < 900 ppm per homogenous material. Also BFR/CFR/PVC Free

Solder Process Capability

Not applicable for solder process capability

Product Compliance Disclaimer

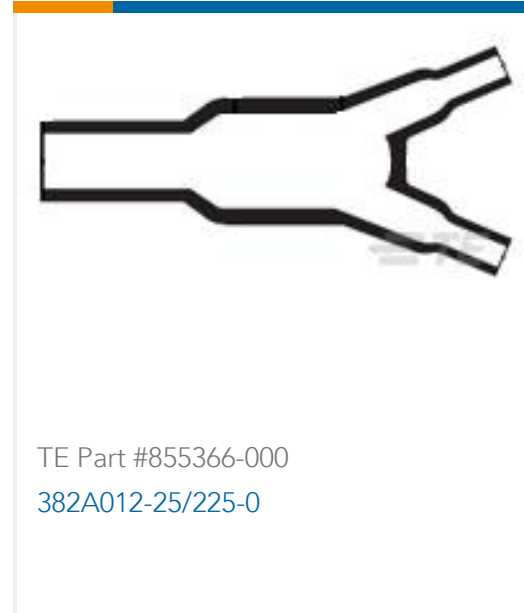
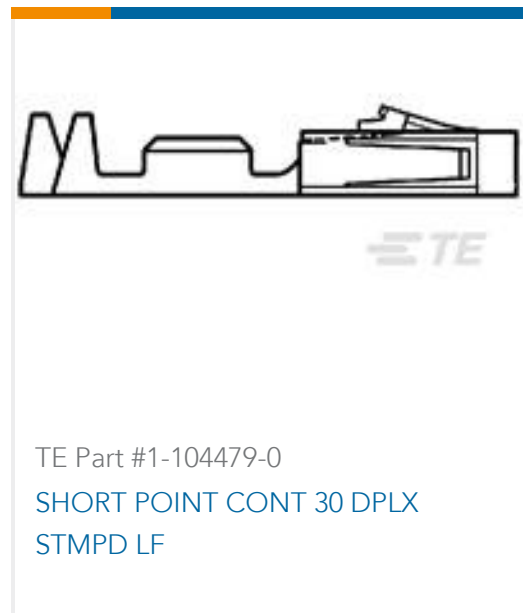
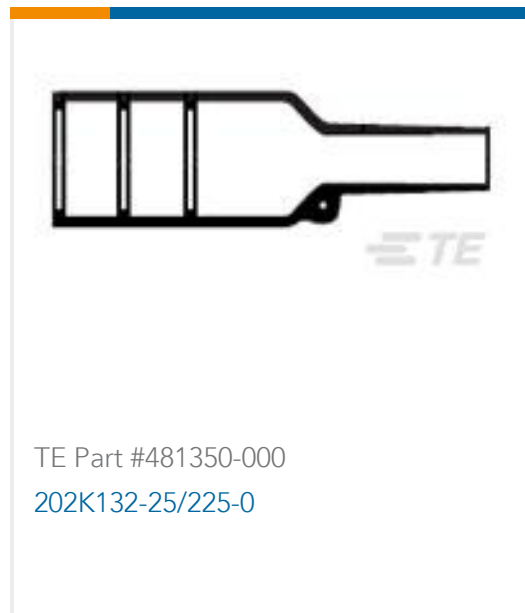
This information is provided based on reasonable inquiry of our suppliers and represents our current actual knowledge based on the information they provided. This information is subject to change. The part numbers that TE has identified as EU RoHS compliant have a maximum concentration of 0.1% by weight in homogenous materials for lead, hexavalent chromium, mercury, PBB, PBDE, DBP, BBP, DEHP, DIBP, and 0.01% for cadmium, or qualify for an exemption to these limits as defined in the Annexes of Directive 2011/65/EU (RoHS2). Finished electrical and electronic equipment products will be CE marked as required by Directive 2011/65/EU. Components may not be CE marked. Additionally, the part numbers that TE has identified as EU ELV compliant have a maximum concentration of 0.1% by weight in homogenous materials for lead, hexavalent chromium, and mercury, and 0.01% for cadmium, or qualify for an exemption to these limits as defined in the Annexes of Directive 2000/53/EC (ELV). Regarding the REACH Regulation, the information TE provides on SVHC in articles for this part number is based on the latest European Chemicals Agency (ECHA) 'Guidance on requirements for substances in articles' posted at this URL: <https://echa.europa.eu/guidance-documents/guidance-on-reach>

Also in the Series | RAYCHEM AS85049



Connector Backshells(100)

Customers Also Bought



Documents

Product Drawings

[R85049/90-17W03](#)

English

CAD Files

[3D PDF](#)

3D

Customer View Model

[ENG_CVM_CVM_CW3825-000_1.2d_dxf.zip](#)

English

Customer View Model

[ENG_CVM_CVM_CW3825-000_1.3d_igs.zip](#)

English

Customer View Model

[ENG_CVM_CVM_CW3825-000_1.3d_stp.zip](#)

English

By downloading the CAD file I accept and agree to the [Terms and Conditions](#) of use.

Datasheets & Catalog Pages



A85049 - PART MARK

English

AS85049 Adapters and Band Straps

English

Product Specifications

General Harness Repair Manual

English