



RAYCHEM | RAYCHEM AS85049

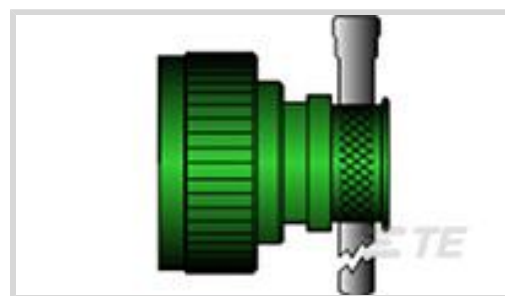
TE Internal #: CW3793-000

Unscreened, Backshell, .438 in [11.13 mm] Cable Entry, Aluminum

Alloy, Straight, RAYCHEM AS85049

[View on TE.com >](#)

Connectors > Connector Accessories > Connector Backshells



Connector Backshell Product Style: **Unscreened**

Connector Backshell Product Type: **Backshell**

Cable Entry Diameter: **11.13 mm [.438 in]**

Primary Product Material: **Aluminum Alloy**

Body Orientation: **Straight**

Features

Product Type Features

Connector Backshell Product Style	Unscreened
Connector Backshell Product Type	Backshell
Sealable	No

Body Features

Primary Product Material	Aluminum Alloy
Primary Product Plating Material	Cadmium

Housing Features

Body Orientation	Straight
Compatible With Connector Shape	Circular

Dimensions

Product Length	39.1 mm[1.54 in]
Cable Entry Diameter	11.13 mm[.438 in]

Other

Connector Interface Specification	MIL-DTL-38999 Series I, MIL-DTL-38999 Series II
-----------------------------------	---

Product Compliance

[For compliance documentation, visit the product page on TE.com>](#)

EU RoHS Directive 2011/65/EU	Not Compliant
------------------------------	---------------



EU ELV Directive 2000/53/EC

Not Compliant

China RoHS 2 Directive MIIT Order No 32, 2016

Restricted Materials Above Threshold

EU REACH Regulation (EC) No. 1907/2006

Current ECHA Candidate List: JUNE 2024 (241)

Candidate List Declared Against: JAN 2024 (240)

SVHC > Threshold:

Pb (.3% in BODY & NUT)

Cd (3% in BODY & NUT)

Article Safe Usage Statements:

Use personal protective equipment as required. Do not eat, drink or smoke when using this product. Wash thoroughly after handling. Recycle if possible and dispose of the article by following all applicable governmental regulations relevant to your geographic location.

Halogen Content

Low Halogen - Br, Cl, F, I < 900 ppm per homogenous material. Also BFR/CFR/PVC Free

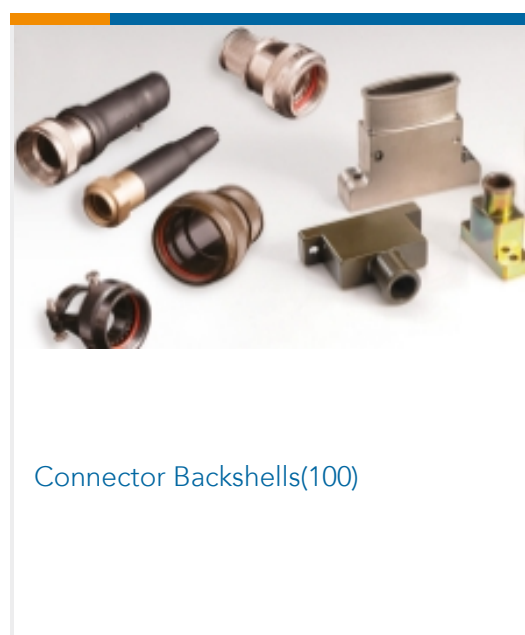
Solder Process Capability

Not applicable for solder process capability

Product Compliance Disclaimer

This information is provided based on reasonable inquiry of our suppliers and represents our current actual knowledge based on the information they provided. This information is subject to change. The part numbers that TE has identified as EU RoHS compliant have a maximum concentration of 0.1% by weight in homogenous materials for lead, hexavalent chromium, mercury, PBB, PBDE, DBP, BBP, DEHP, DIBP, and 0.01% for cadmium, or qualify for an exemption to these limits as defined in the Annexes of Directive 2011/65/EU (RoHS2). Finished electrical and electronic equipment products will be CE marked as required by Directive 2011/65/EU. Components may not be CE marked. Additionally, the part numbers that TE has identified as EU ELV compliant have a maximum concentration of 0.1% by weight in homogenous materials for lead, hexavalent chromium, and mercury, and 0.01% for cadmium, or qualify for an exemption to these limits as defined in the Annexes of Directive 2000/53/EC (ELV). Regarding the REACH Regulation, the information TE provides on SVHC in articles for this part number is based on the latest European Chemicals Agency (ECHA) 'Guidance on requirements for substances in articles' posted at this URL: <https://echa.europa.eu/guidance-documents/guidance-on-reach>

Also in the Series | RAYCHEM AS85049



Customers Also Bought



TE Part #YDTS20Z15-35SAV001
RECP ASSY



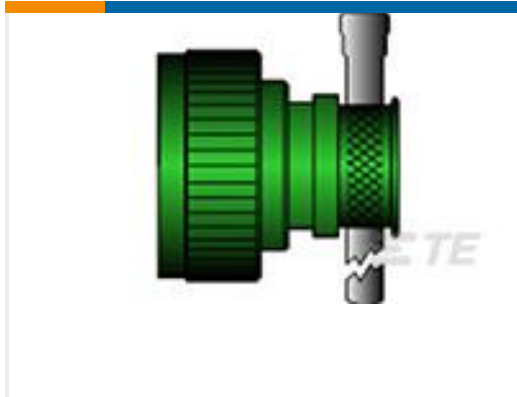
TE Part #CQ56513001
100G0121-3.00-0/9



TE Part #644751-6
06P MTA156 HDR ASSY R/A



TE Part #HKA008N00590100000
723 HTEC EXTENSION, SPEEDTEC



TE Part #CW3796-000
R85049/85-18W02



TE Part #893991-000
STXR40SJ00-1412AI



TE Part #YDIV43E11-05SNC009
RECP ASSY

Documents

Product Drawings

[R85049/85-12W02](#)

English

CAD Files

[3D PDF](#)

3D

Customer View Model

[ENG_CVM_CVM_CW3793-000_1.2d_dxf.zip](#)

English

Customer View Model

[ENG_CVM_CVM_CW3793-000_1.3d_igs.zip](#)

English

Customer View Model

[ENG_CVM_CVM_CW3793-000_1.3d_stp.zip](#)

English

By downloading the CAD file I accept and agree to the [Terms and Conditions](#) of use.

Datasheets & Catalog Pages

[A85049 - PART MARK](#)

English

[AS85049 Adapters and Band Straps](#)

English

Product Specifications

[General Harness Repair Manual](#)

English

R85049/85-12W02

Unscreened, Backshell, .438 in [11.13 mm] Cable Entry, Aluminum Alloy, Straight,
RAYCHEM AS85049

