

R85049/128-1 ✓ ACTIVE

[RAYCHEM](#) | [RAYCHEM AS85049](#)

TE Internal #: CW2822-000

Screened, Backshell, 303 Stainless Steel, Self-Locking Shield Band /

None Termination, RAYCHEM AS85049

[View on TE.com >](#)



[Connectors](#) > [Connector Accessories](#) > [Connector Backshells](#)



Connector Backshell Product Style: **Screened**

Connector Backshell Product Type: **Backshell**

Primary Product Material: **303 Stainless Steel**

Sealable: **Yes**

Primary Product Plating Material: **Passivated (SAE AMS-QQ-P-35 or MIL-S-5002)**

Features

Product Type Features

Connector Backshell Product Style	Screened
Connector Backshell Product Type	Backshell
Sealable	Yes
Termination Device Type	None, Self-Locking Shield Band

Body Features

Primary Product Material	303 Stainless Steel
Primary Product Plating Material	Passivated (SAE AMS-QQ-P-35 or MIL-S-5002)

Housing Features

Compatible With Connector Shape	Circular
---------------------------------	----------

Industry Standards

Connector Detail Specification Number	M85049/128-1
---------------------------------------	--------------

Product Compliance

[For compliance documentation, visit the product page on TE.com>](#)

EU RoHS Directive 2011/65/EU	Compliant
EU ELV Directive 2000/53/EC	Compliant
China RoHS 2 Directive MIIT Order No 32, 2016	No Restricted Materials Above Threshold
EU REACH Regulation (EC) No. 1907/2006	

Current ECHA Candidate List: JUNE 2023 (235)
 Candidate List Declared Against: JUNE 2022 (224)
 Does not contain REACH SVHC

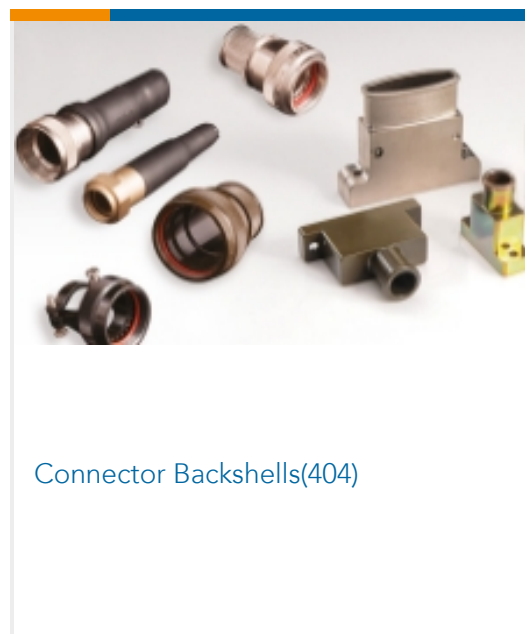
Halogen Content Low Halogen - Br, Cl, F, I < 900 ppm per homogenous material. Also BFR/CFR/PVC Free

Solder Process Capability Not applicable for solder process capability

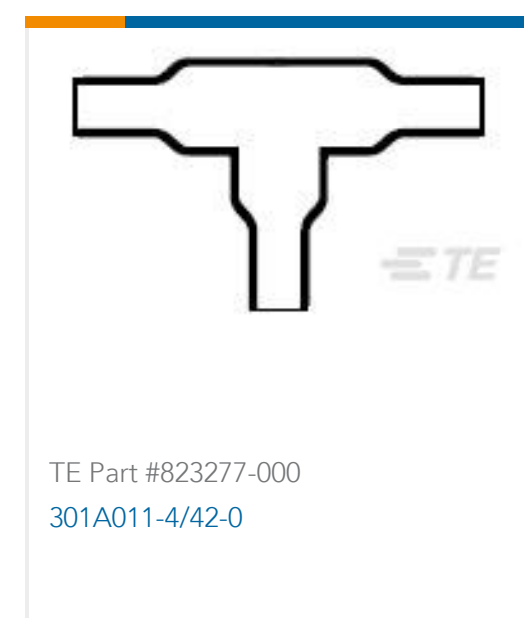
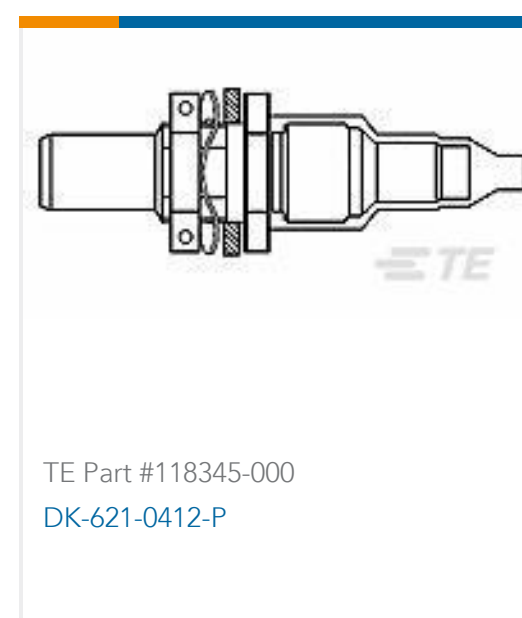
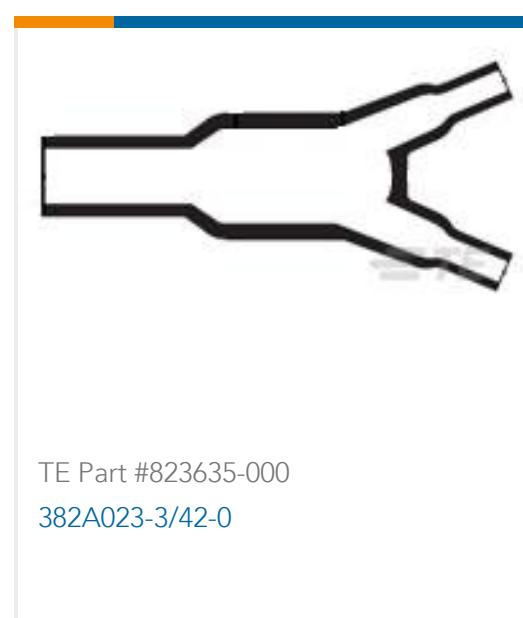
Product Compliance Disclaimer

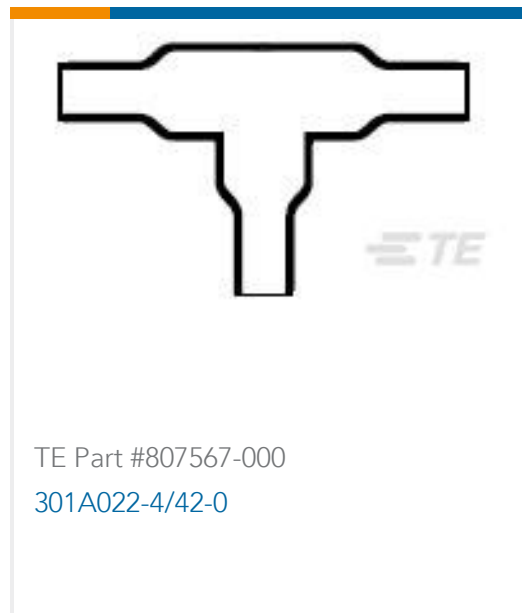
This information is provided based on reasonable inquiry of our suppliers and represents our current actual knowledge based on the information they provided. This information is subject to change. The part numbers that TE has identified as EU RoHS compliant have a maximum concentration of 0.1% by weight in homogenous materials for lead, hexavalent chromium, mercury, PBB, PBDE, DBP, BBP, DEHP, DIBP, and 0.01% for cadmium, or qualify for an exemption to these limits as defined in the Annexes of Directive 2011/65/EU (RoHS2). Finished electrical and electronic equipment products will be CE marked as required by Directive 2011/65/EU. Components may not be CE marked. Additionally, the part numbers that TE has identified as EU ELV compliant have a maximum concentration of 0.1% by weight in homogenous materials for lead, hexavalent chromium, and mercury, and 0.01% for cadmium, or qualify for an exemption to these limits as defined in the Annexes of Directive 2000/53/EC (ELV). Regarding the REACH Regulation, the information TE provides on SVHC in articles for this part number is based on the latest European Chemicals Agency (ECHA) 'Guidance on requirements for substances in articles' posted at this URL: <https://echa.europa.eu/guidance-documents/guidance-on-reach>

Also in the Series | RAYCHEM AS85049



Customers Also Bought





Documents

Product Drawings

[R85049/128-1](#)

English

Datasheets & Catalog Pages

[A85049 - PART MARK](#)

English

[AS85049 Adapters and Band Straps](#)

English

Product Specifications

[General Harness Repair Manual](#)

English