



RAYCHEM | RAYCHEM TXR

TE Internal #: CV4709-000

Ruggedized, Backshell, .01 – .38 in [.2 – 9.5 mm] Cable Entry, Nickel Aluminum Bronze, Straight, Shell Size D / 15, Entry Size Code 06, RAYCHEM TXR

[View on TE.com >](#)

Connectors > Connector Accessories > Connector Backshells



Connector Backshell Product Style: **Ruggedized**

Connector Backshell Product Type: **Backshell**

Cable Entry Diameter: **.2 – 9.5 mm [.01 – .38 in]**

Primary Product Material: **Nickel Aluminum Bronze**

Body Orientation: **Straight**

Features

Product Type Features

Termination Device Included	TR06BI
Connector Backshell Product Style	Ruggedized
Connector Backshell Product Type	Backshell
Termination Device Type	Side-Entry Tinel-Lock Ring, Tinel-Lock Adapter, Tinel-Lock Ring

Body Features

Primary Product Material	Nickel Aluminum Bronze
Primary Product Plating Material	Unplated (Shotblast Glass Bead)

Housing Features

Body Orientation	Straight
Compatible With Connector Shape	Circular

Dimensions

Compatible Cable Diameter Range	4.8 – 7.6 mm [.188 – .3 in]
Product Length	26.5 mm [1.04 in]
Cable Entry Diameter	.2 – 9.5 mm [.01 – .38 in]

Usage Conditions

Salt Spray Resistance	1000 Hr
-----------------------	---------



Operating Temperature Range -65 – 260 °C[-85 – 500 °F]

Operation/Application

Compatible With Connector Shell Size D, 15

Industry Standards

Connector Detail Specification Number D38999/20, D38999/24, D38999/26, D38999/40, D38999/42, D38999/46, D38999/47

Other

Connector Interface Specification MIL-DTL-38999 Series III/Class C,F,K,W, MIL-DTL-38999 Series IV/Class C,F,W, MIL-DTL-38999 Series IV/Class C,W, MIL-DTL-38999 Series IV/Class F,W

TE Connector Interface Code 40

Entry Size Code 06

Product Compliance

[For compliance documentation, visit the product page on TE.com>](#)

EU RoHS Directive 2011/65/EU Compliant

EU ELV Directive 2000/53/EC Compliant

China RoHS 2 Directive MIIT Order No 32, 2016 No Restricted Materials Above Threshold

EU REACH Regulation (EC) No. 1907/2006
Current ECHA Candidate List: JUNE 2023 (235)
Candidate List Declared Against: JUNE 2022 (224)
Does not contain REACH SVHC

Halogen Content Low Halogen - Br, Cl, F, I < 900 ppm per homogenous material. Also BFR/CFR/PVC Free

Solder Process Capability Not applicable for solder process capability

Product Compliance Disclaimer

This information is provided based on reasonable inquiry of our suppliers and represents our current actual knowledge based on the information they provided. This information is subject to change. The part numbers that TE has identified as EU RoHS compliant have a maximum concentration of 0.1% by weight in homogenous materials for lead, hexavalent chromium, mercury, PBB, PBDE, DBP, BBP, DEHP, DIBP, and 0.01% for cadmium, or qualify for an exemption to these limits as defined in the Annexes of Directive 2011/65/EU (RoHS2). Finished electrical and electronic equipment products will be CE marked as required by Directive 2011/65/EU. Components may not be CE marked. Additionally, the part numbers that TE has identified as EU ELV compliant have a maximum concentration of 0.1% by weight in homogenous materials for lead, hexavalent chromium, and mercury, and 0.01% for cadmium, or qualify for an exemption to these limits as defined in the Annexes of Directive 2000/53/EC (ELV). Regarding the REACH Regulation, the information TE provides on SVHC in articles for this part number is based on the latest European Chemicals Agency (ECHA) 'Guidance on requirements for substances in articles' posted at this URL: <https://echa.europa.eu/guidance-documents/guidance-on-reach>

Compatible Parts



TE Part # 173643-000
RH-3960-1-TINEL-KIT-120V

Also in the Series | RAYCHEM TXR



Connector Backshells(2277)

Customers Also Bought



TE Part #DT04-2P
REC, 2P, GRY, N



TE Part #DT06-2S
PLG, 2P, GRY, N



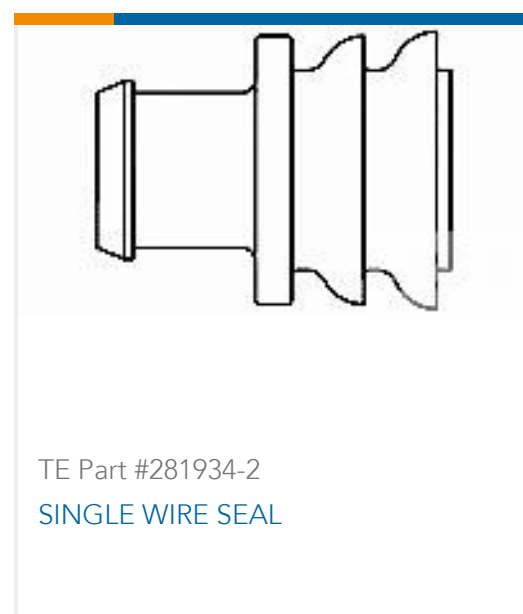
TE Part #W2S
Wedgelocks: DEUTSCH DT



TE Part #0462-201-16141
DEUTSCH Solid Contacts



TE Part #282104-1
AMP SUPERSEAL 1.5MM,
CONNECTOR HOUSING



TE Part #281934-2
SINGLE WIRE SEAL

Documents

[Product Drawings](#)
[TXR40BW00-1406BI](#)

English

[Datasheets & Catalog Pages](#)

TXR40BW00-1406BI

Ruggedized, Backshell, .01 – .38 in [.2 – 9.5 mm] Cable Entry, Nickel Aluminum
Bronze, Straight, Shell Size D / 15, Entry Size Code 06, RAYCHEM TXR



[1654025_Sec6_Code40MIL-C-38999](#)

English

[Circular Backshells](#)

English