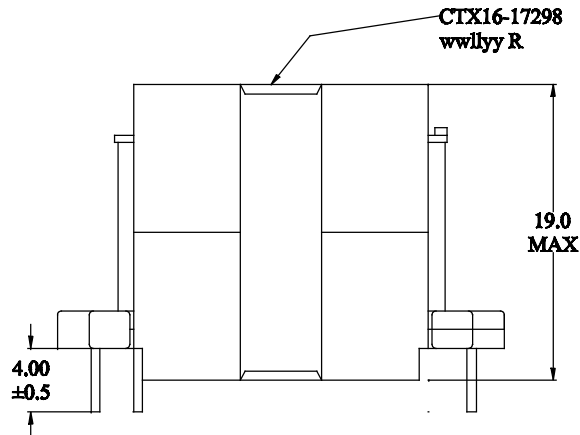
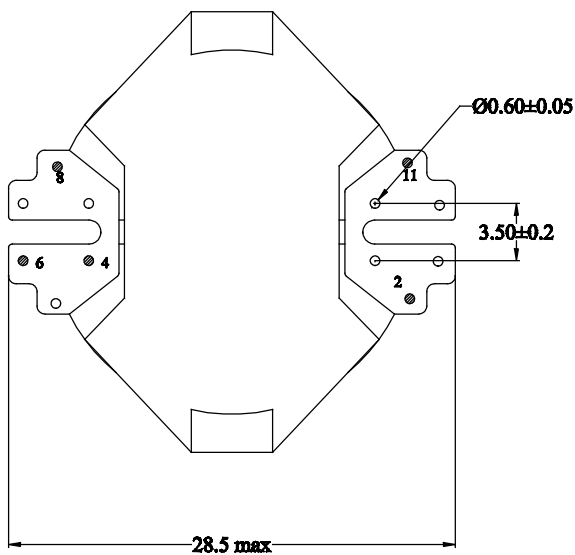


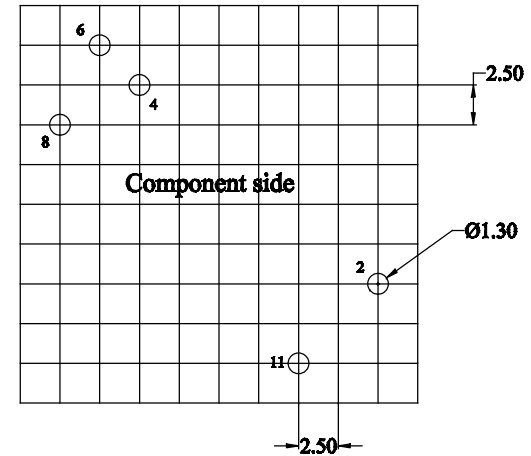
### FRONT VIEW



### BOTTOM VIEW



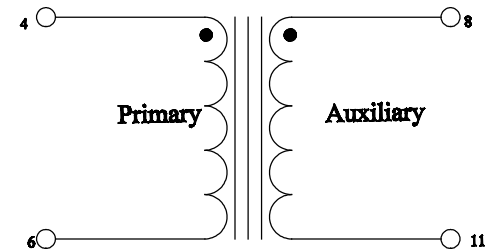
### RECOMMENDED PCB LAYOUT



### ELECTRICAL CHARACTERISTICS

OCL @ 20kHz, 0.10Vrms & 0.0Adc. Pins (4 - 6). 208.0 - 256.0 uH  
 OCL @ 20kHz, 0.10Vrms & 5.29Adc. Pins (4 - 6). 187.0 uH minimum.  
 DCR @ 20°C, pins (4 - 6). 0.140 Ω MAX.  
 DCR @ 20°C, pins (8 - 11). 0.115 Ω MAX.  
 Turns ratio; pins (4 - 6) : (8 - 11). 1 : 0.102  
 Hipot @ 1500VDC for 1 second. Pin 4 to pin 8.  
 Hipot @ 500VDC for 1 second. Pins (4 & 8) to the core

### SCHEMATIC



#### Notes:

- 1) All Dimensions are in millimeters unless otherwise specified.
- 2) Tolerances are +/- 0.25 unless stated otherwise.
- 3) wwlllyy = (Date Code) R= (Revision Level)
- 4) PCB tolerances are +/- 0.1 unless stated otherwise.
- 5) RoHS compliant

#### Cooper Bussmann

1225 Broken Sound Parkway NW, Suite F, Boca Raton, FL 33487

Inductor, Boost with Auxiliary winding  
 85-385Vdc:467Vdc@ 0.28A & 10Vdc @ 200mA

50kHz, 232uH @ 5.29A peak  
 RM10, Horizontal THT, 4 Pins

Size Drawing Number: CTX16-17298

A Revision Level: F Sheet 3 of 6