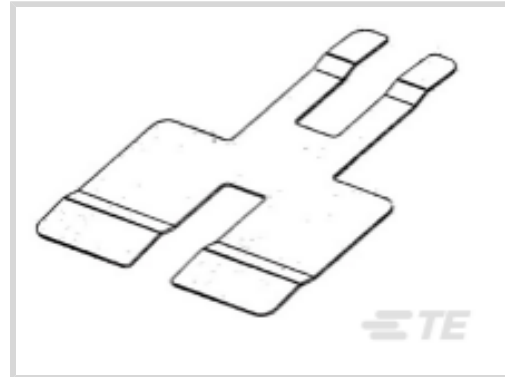




Application Tooling > Hand Crimping Tools



TE Certification: **Cannot be Certified**

Tooling Type: **Insertion/Extraction Tool**

Features

Other

TE Certification	Cannot be Certified
Tooling Type	Insertion/Extraction Tool

Product Compliance

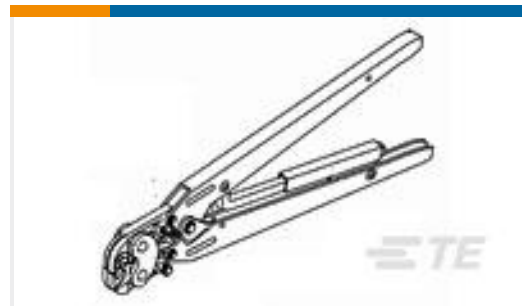
[For compliance documentation, visit the product page on TE.com>](#)

EU RoHS Directive 2011/65/EU	Compliant
EU ELV Directive 2000/53/EC	Compliant
China RoHS 2 Directive MIIT Order No 32, 2016	No Restricted Materials Above Threshold
EU REACH Regulation (EC) No. 1907/2006	Current ECHA Candidate List: JUNE 2024 (241) Candidate List Declared Against: JAN 2024 (240) Does not contain REACH SVHC
Halogen Content	Not Yet Reviewed for halogen content
Solder Process Capability	Not applicable for solder process capability

Product Compliance Disclaimer

This information is provided based on reasonable inquiry of our suppliers and represents our current actual knowledge based on the information they provided. This information is subject to change. The part numbers that TE has identified as EU RoHS compliant have a maximum concentration of 0.1% by weight in homogenous materials for lead, hexavalent chromium, mercury, PBB, PBDE, DBP, BBP, DEHP, DIBP, and 0.01% for cadmium, or qualify for an exemption to these limits as defined in the Annexes of Directive 2011/65/EU (RoHS2). Finished electrical and electronic equipment products will be CE marked as required by Directive 2011/65/EU. Components may not be CE marked. Additionally, the part numbers that TE has identified as EU ELV compliant have a maximum concentration of 0.1% by weight in homogenous materials for lead, hexavalent chromium, and mercury, and 0.01% for cadmium, or qualify for an exemption to these limits as defined in the Annexes of Directive 2000/53/EC (ELV). Regarding the REACH Regulation, the information TE provides on SVHC in articles for this part number is based on the latest European Chemicals Agency (ECHA) 'Guidance on requirements for substances in articles' posted at this URL: <https://echa.europa.eu/guidance-documents/guidance-on-reach>

Customers Also Bought



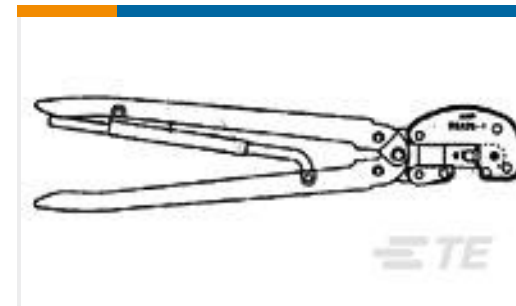
TE Part #46673
DAHT STRATO 22-16 ASSY



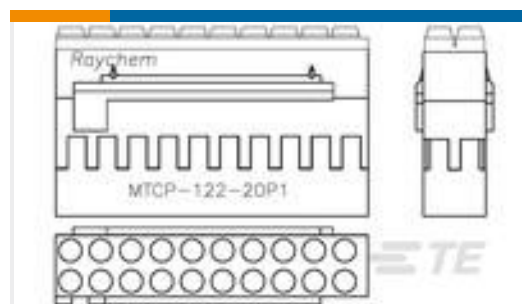
TE Part #91522-1
CCII MINI UNML PIN SKT 22-18 ASSY



TE Part #59250
T-HEAD PIDG 26-14 ASSY



TE Part #59461
HHHT STRATO 12-10 ASSY



TE Part #603431-000
MTCP-122-20P1



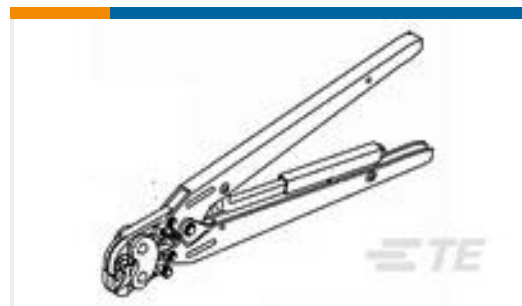
TE Part #850957-000
MTCP-122-20PQ



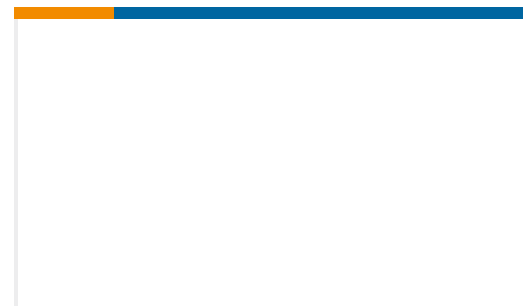
TE Part #YDTS26Z15-19SAV001
PLUG ASSY



TE Part #58573-1
SPARE WIRE CAPPER ASSEMBLY



TE Part #46988
DAHT STRATO 16-14 ASSY



TE Part #39380
INSERT INSUL UPPER

Documents

Product Drawings

[CTA-0161](#)

English

CAD Files

[3D PDF](#)

3D

Customer View Model

[ENG_CVM_CVM_211137-000_A.2d_dxf.zip](#)

English

Customer View Model

[ENG_CVM_CVM_211137-000_A.3d_igs.zip](#)

English

Customer View Model

[ENG_CVM_CVM_211137-000_A.3d_stp.zip](#)

English



By downloading the CAD file I accept and agree to the [Terms and Conditions](#) of use.