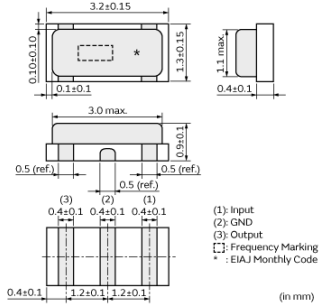


# CSTCE20M0V13C99-R0



## Appearance & Shape



## Features

MURATA's frequency adjustment and packaging technology expertise has enabled the development of the chip CERALOCK(R) with built-in load capacitors. This diverse series owes its development to MURATA's original mass production techniques and high reliability, and has achieved importance in the worldwide automotive market.

### Features

1. High accuracy resonators whose total tolerance is available for less than  $\pm 3,000$ ppm.
2. High reliability and available for a wide temperature range.
3. Oscillation circuits do not require external load capacitors.
4. Available for a wide frequency range.
5. Extremely small and have a low profile.
6. No adjustment is necessary for oscillation circuits.

## Applications

Automotive Usage	Powertrain/Safety
Other Usage	Automotive

## Packaging Information

Packaging	Specifications	Minimum Order Quantity
R0	180mm Embossed Tape	3000

### Attention

1. This datasheet is downloaded from the website of Murata Manufacturing Co., Ltd. Therefore, its specifications are subject to change or our products in it may be discontinued without advance notice. Please check with our sales representatives or product engineers before ordering.
2. This datasheet has only typical specifications because there is no space for detailed specifications. Therefore, please review our product specifications or consult the approval sheet for product specifications before ordering.

# CSTCE20M0V13C99-R0



## Specifications

Product Type	Ceramic Resonator (CERALOCK®)
Series	CSTCE_V_C
Frequency	20.000MHz
Frequency Tolerance	+/-0.10% max.
Operating Temperature Range	-40°C to 125°C
Frequency Shift by Temperature	+/-0.13% max.
Frequency Aging	+/-0.07% max.
Resonant Impedance (R1)	40ohm max.
Built-in Load Capacitance(CL1/CL2)	15pF
Shape	SMD
Wash	available
L x W (size)	3.2x1.3mm

### Attention

- 1.This datasheet is downloaded from the website of Murata Manufacturing Co., Ltd. Therefore, it's specifications are subject to change or our products in it may be discontinued without advance notice. Please check with our sales representatives or product engineers before ordering.
- 2.This datasheet has only typical specifications because there is no space for detailed specifications.  
Therefore, please review our product specifications or consult the approval sheet for product specifications before ordering.