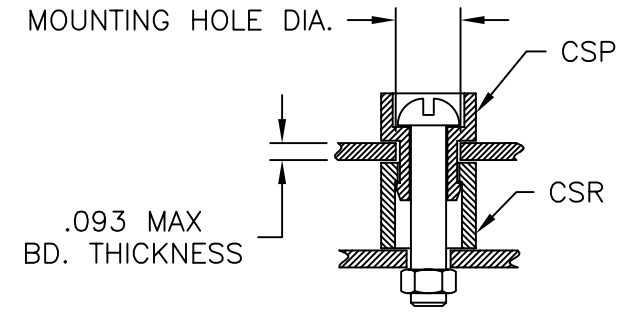
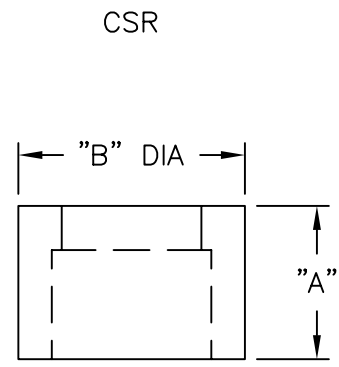
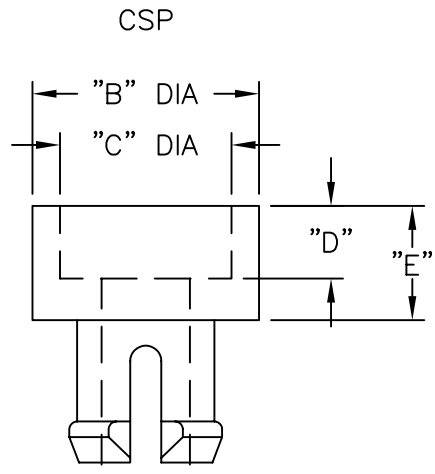


PART NO.	"B" ±.010 (±0.25)	"C" DIA.	"D" REF.	"E" REF.	MOUNTING HOLE DIA. ±.003(±0.08)	RECOMMENDED SCREW SIZE
CSP4-01	.295(7.5)	---	---	.10(2.5)	.195(5.0)	#4 (M2.5)
CSP6-01	.394(10)	.29(7.3)	.12(3)	.20(5)	.256(6.5)	#6 (M3.5)
CSP8-01	.436(11)	.33(8.3)	.14(3.6)	.22(5.5)	.272(6.9)	#8 (M4)

PART NO.	"A" ±.010 (±0.25)	"B" ±.010 (±0.25)	MATING PIN NO.
CSR4-224-01	.224 (5.7)	.295 (7.5)	CSP4-01
CSR4-295-01	.295 (7.5)		
CSR4-394-01	.394 (10)		
CSR4-591-01	.591 (15)		
CSR4-787-01	.787 (20)	.394 (10)	CSP6-01
CSR6-224-01	.224 (5.7)		
CSR6-295-01	.295 (7.5)		
CSR6-394-01	.394 (10)		
CSR6-591-01	.591 (15)	.436 (11)	CSP8-01
CSR6-787-01	.787 (20)		
CSR8-224-01	.224 (5.7)		
CSR8-295-01	.295 (7.5)		
CSR8-394-01	.394 (10)	.591 (15)	CSP8-01
CSR8-591-01	.591 (15)		
CSR8-787-01	.787 (20)		



TYPICAL ASSEMBLY

- NOTES:
 1. MATERIAL: NYLON 6/6 (RMS-01).
 2. COLOR: NATURAL.

E CHANGED FILE NUMBER SM 05.09.02		D TOLERANCES UNLESS NOTED .XX=±.010 .XXX=±.005 FRAC=±1/64 ANG=±1°		FILE # CSP-CSR DWN: R.S. APP:		DWG IN IN (MM) FINAL		PART # PRINT TYPE	
D REMOVED EXTRA DIM "E" ON VIEW JL 3.17.00		C CSP6 DIM C WAS .23; CSP8 DIM C WAS .26 MO 3/31/98		MAT'L: SEE NOTES DT: 04-07-95 DT:		RICHCO INC. PO BOX 804238, CHICAGO, 60680 (773) 539-4060		SEE TABLES CA	
B MODIFIED TABLE, CHANGED P/N's R.S. 061995		A ADD DIM. "C" R.S. 151995		RE: RICHCO, INC.					
REV DESCRIPTION ENGR DATE									

TITLE: COLLAR SPACERS