

# CSL-03418P-9 ✓ ACTIVE

TE Internal #: 8-1768016-5

Width 18.2 mm [.72 in], Height 33.9 mm [1.33 in], Compatible Cable

Diameter Range 2.7 – 8.1 mm [.107 – .318 in], White, Polyester,

Standard Labels

[View on TE.com >](#)



Identification & Labeling > Labels > Standard Labels > CSL Self Laminating Polyester Labels



Label Type: **Self-Laminating**

Label Style: **Die-Cut**

Label Adhesive Type: **Permanent Acrylic Adhesive**

Product Width: **18.2 mm [.72 in]**

Length of Label Roll: **.29 m [.974 ft]**

[All CSL Self Laminating Polyester Labels \(20\)](#)

## Features

### Product Type Features

Printable Label Height	8.5 mm[.33 in]
Label Type	Self-Laminating

### Body Features

Primary Product Color	White
Primary Product Material	Polyester

### Dimensions

Product Width	18.2 mm[.72 in]
Product Height	33.9 mm[1.33 in]
Compatible Cable Diameter Range	2.7 – 8.1 mm[.107 – .318 in]

### Usage Conditions

Operating Temperature Range	-30 – 120 °C[-40 – 248 °F]
-----------------------------	----------------------------

### Printer/Label Features

Number of Labels Across	11
Label Style	Die-Cut
Length of Label Roll	.29 m[.974 ft]
Label Thickness	45 Micron



### Packaging Features

Packaging Quantity	88
Packaging Method	Sheet

### Other

Label Adhesive Type	Permanent Acrylic Adhesive
---------------------	----------------------------

### Product Compliance

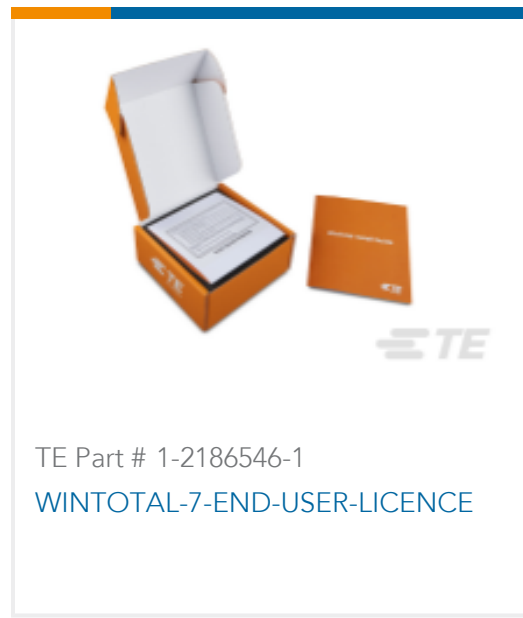
[For compliance documentation, visit the product page on TE.com>](#)

EU RoHS Directive 2011/65/EU	Compliant
EU ELV Directive 2000/53/EC	Compliant
China RoHS 2 Directive MIIT Order No 32, 2016	No Restricted Materials Above Threshold
EU REACH Regulation (EC) No. 1907/2006	Current ECHA Candidate List: JUNE 2024 (241) Candidate List Declared Against: JUNE 2024 (241) Does not contain REACH SVHC
Halogen Content	BFR/CFR/PVC Free, but Br/Cl >900 ppm in other sources.
Solder Process Capability	Not applicable for solder process capability

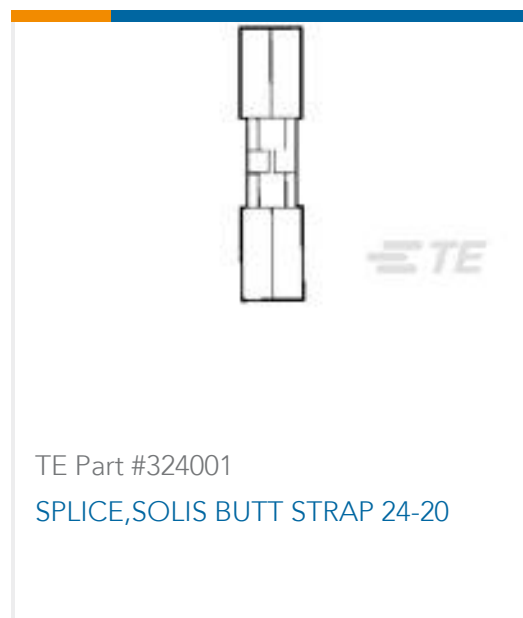
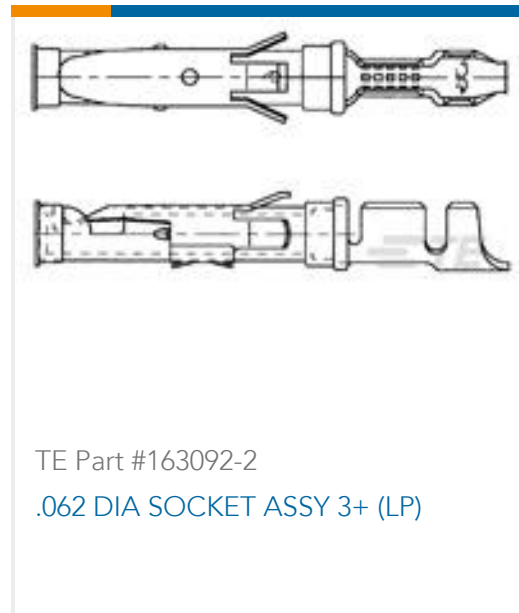
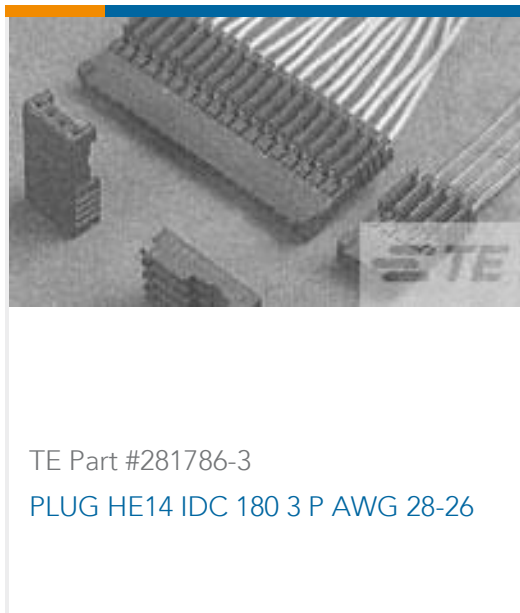
#### Product Compliance Disclaimer

This information is provided based on reasonable inquiry of our suppliers and represents our current actual knowledge based on the information they provided. This information is subject to change. The part numbers that TE has identified as EU RoHS compliant have a maximum concentration of 0.1% by weight in homogenous materials for lead, hexavalent chromium, mercury, PBB, PBDE, DBP, BBP, DEHP, DIBP, and 0.01% for cadmium, or qualify for an exemption to these limits as defined in the Annexes of Directive 2011/65/EU (RoHS2). Finished electrical and electronic equipment products will be CE marked as required by Directive 2011/65/EU. Components may not be CE marked. Additionally, the part numbers that TE has identified as EU ELV compliant have a maximum concentration of 0.1% by weight in homogenous materials for lead, hexavalent chromium, and mercury, and 0.01% for cadmium, or qualify for an exemption to these limits as defined in the Annexes of Directive 2000/53/EC (ELV). Regarding the REACH Regulation, the information TE provides on SVHC in articles for this part number is based on the latest European Chemicals Agency (ECHA) 'Guidance on requirements for substances in articles' posted at this URL: <https://echa.europa.eu/guidance-documents/guidance-on-reach>

### Compatible Parts



### Customers Also Bought



### Documents

#### Product Drawings

[CSL-03418P-9](#)

English

#### Datasheets & Catalog Pages

[IDENTIFICATION SELECTION GUIDE](#)

English

[CSL and LSR - Self-Laminating Laser Printable Polyester Labels](#)

English

CSL-03418P-9

Width 18.2 mm [.72 in], Height 33.9 mm [1.33 in], Compatible Cable Diameter Range  
2.7 – 8.1 mm [.107 – .318 in], White, Polyester, Standard Labels



---

[Product Specifications](#)

[Manuals & User Guides](#)

English