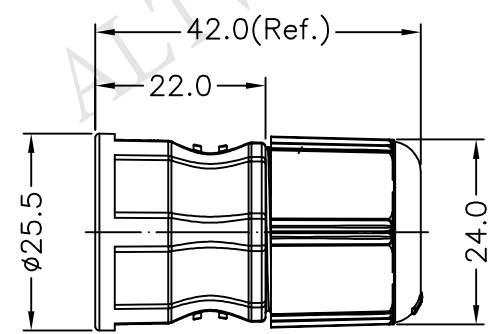
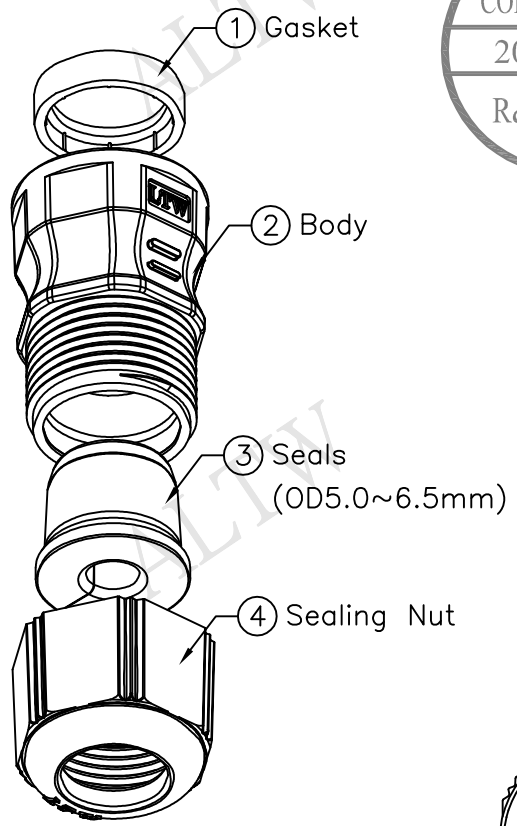
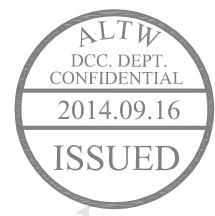
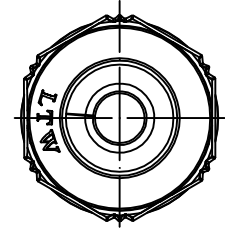
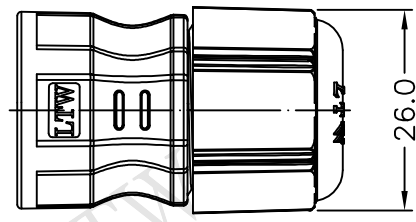
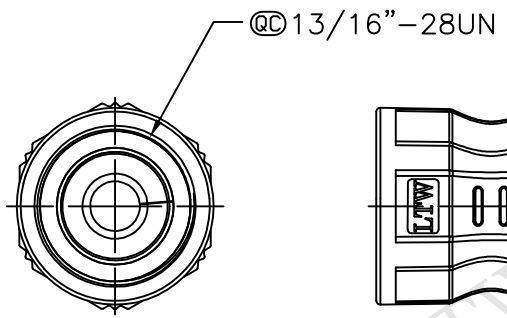


REV.	ECN NO.	DATE	SIGN	DESCRIPTION
A	Initial Release	2014/06/28	Tom gu	Change Rev.1 To Rev.A



- Note:
- \* @@Important Dimension.
  - \* Waterproof Rating: IP67
  - \* Cable OD:  $\phi 5.0 \sim \phi 6.5 \text{mm}$
  - \* Gasket: Silicone, Gray.
  - \* Seals: Silicone, Gray.
  - \* Body: PPO, Black.
  - \* Sealing Nut: PC+PBT, Black.
  - \* ①②③④ 組裝放入一個 PE 袋
  - \* ④ 只需鎖 2~3 牙  
(Assembly Put In One PE Bag)
  - \* 線材必須為充實型，建議鎖合力為 8~10Kg



UNIT:mm	
TOLERANCE	
.X	$\pm 0.25$
.XX	$\pm 0.1$
.XXX	$\pm 0.05$
ANGLES	$\pm 1^\circ$

TITLE		13/16''-28UN Ass'y (After Plug In)OD 5.0~6.5mm	
SCALE	Free	SHEET	1 OF 1
REV.	A	SIZE	A4
@@ :Inspection Item			

**Amphenol LTW**  
安費諾亮泰企業股份有限公司

ITEM NO	CSG-CSP001
DWG NO	CSG-CSP001
CUSTOMER	ALTW

DRAWN BY	Tom
CHECKED BY	Ludi
APPROVED BY	Victor

DATE	2014/06/28
DATE	2014/06/28
DATE	2014/06/28

THIS DOCUMENT IS SUBJECT TO CHANGE WITHOUT NOTICE. IT IS CONFIDENTIAL AND A PROPERTY OF Amphenol LTW. DISCLOSURE TO THIRD PARTY HAS TO BE AUTHORIZED BY Amphenol LTW.

A B C D E F