

# Data Sheet

## SWITCH-CON® CRIMP



The **SWITCH-CON® CRIMP** connector is a fast and practical alternative to single wiring with 2,8 mm male spades or individual soldering of wires. The combination of individually fastened crimping contacts and secure pluggable plastic housing reduces the wiring time substantially. Switches, push buttons, relay, lamps, motors etc. are rationally wired.

The customized housings are designed to match with the corresponding apparatus and are being plugged-on without unsecure single wiring.

### Technical Features

- › Contacts CRSW22SD can be used for any 2,8 x 0,5 mm blades in a variety of applications.
- › Customer specific housings are applied to group the contacts. Please specify your personal case.
- › Die The contacts are supplied in reels and will be crimped to the wires by using the tool CACSF-22.
- › Loose Contacts are available for repair works. They will be processed with the hand tool HTCR-110-22.
- › Die Contacts are being securely processed in standard crimping machines.

### Available Tools:

- › Crimp tool CACSF-22 for use with standard crimping machines. Two wires can be connected in parallel.
- › Hand tool HTCR-110-22 for repair
- › Extraction tool ECTR-110



### Materials:

#### Housing:

- › PA 6.6, Flamability acc. to UL 94 V-2

#### Contact:

- › Brass, surface coating 2,5  $\mu$  tin over 1,25  $\mu$  Nickel

#### Elektrical Data:

- › Admissible current: 6 A / AWG 22
- › Voltage: 3,8 kVAC minimum
- › Insulation resistance: 5000 Megaohm

#### Temperature:

- › -55°C bis + 85°C

#### Mechanical Data:

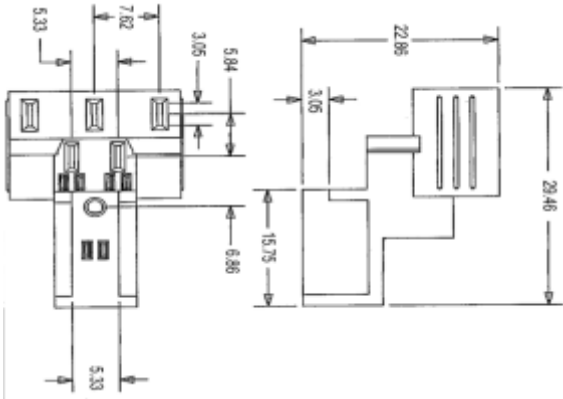
- › Wire: 1 or 2  
AWG 22 (0,4 mm<sup>2</sup>)  
Max. Diameter 1,5 mm
- › Mating force\*: 2 - 8 N / contact
- › Unmating force\*: 1 - 8 N / contact  
\* with 0,5mm blades
- › Unmating force Crimp: 35N / wire
- › Unmating force Contact: 20N / contact

#### Approval

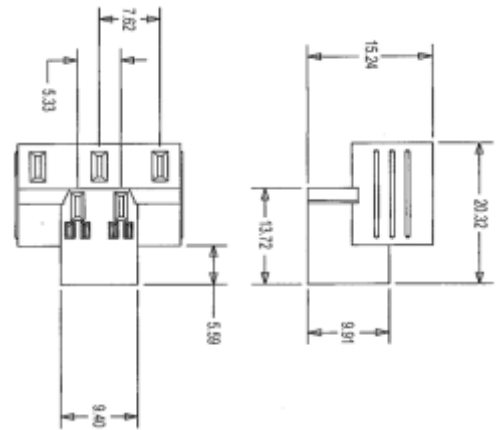
- › UL File No. E73711

**Pancon GmbH, Siemensstrasse 7, 61267 Neu-Anspach**  
**Tel: 06081-964-0, Fax: 06081-964-201, [www.pancon.de](http://www.pancon.de)**

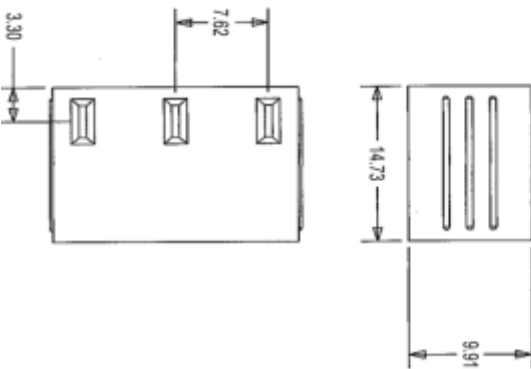
# Data Sheet SWITCH-CON® CRIMP



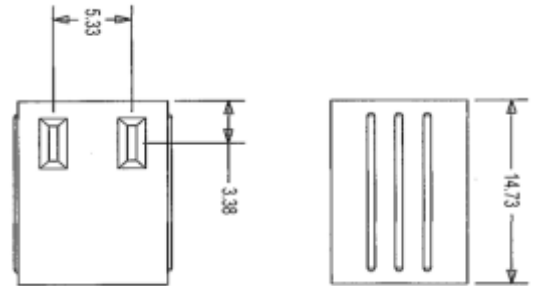
6-pole housing CSF-MH-06-02



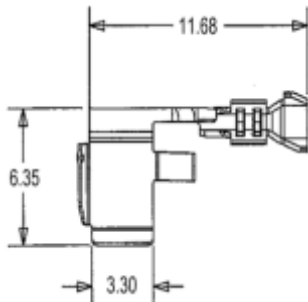
5-pole housing CSF-MH-05-02



3-pole housing CSF-MH-03-02



2-pole housing CSF-MH-02-02



Crimp on reel CRSW22SD

Single Crimp: on demand

All dimensions are in mm

**Pancon GmbH, Siemensstrasse 7, 61267 Neu-Anspach**  
**Tel: 06081-964-0, Fax: 06081-964-201, [www.pancon.de](http://www.pancon.de)**

## Ordering Information Tools

CRIMP-insert: CACSF-22



Hand tool: HCTR-110-22



Extraction tool: ECTR-110



## Examples for customer specific solutions

**Serie: Juego-Gaming**

**A0133**  
 Pulsador Subminiatura CP-SM  
 Subminiature Push Button CP-SM

**PANEL MOUNTING**  
 Dimensiones/Dimensions  
 27.5x27.5x11.5-6.7

6-pole housing  
 CSF-MH-06-02  
 in the Gaming-Industry  
 Connection of push buttons  
 3 x switch over  
 2 x lamp  
 1 x earth contact

**System Y**

5-pole housing  
 CSF-MH-05-02  
 in the Gaming-Industry  
 Connection of push buttons  
 3 x switch over  
 2 x lamp

3-pole housing  
 CSF-MH-03-02  
 in the Gaming-Industry  
 Connection of micro switches

**SERIES 76-59**

2-pole housing  
 CSF-MH-02-02  
 Connection of push buttons  
 2 x switch over