

## CONCEPT® Wall-Mount Enclosures

### CONCEPT®, Type 4X



#### Industry Standards

Mounting brackets required to meet UL/CSA external mounting requirements.

UL 508A Listed; Type 3R, 4, 4X, 12; File No. E61997  
 cUL Listed per CSA C22.2 No 94; Type 3R, 4, 4X, 12; File No. E61997

NEMA/EEMAC Type 3R, 4, 4X, 12, 13  
 CSA File No. 42186: Type 4, 4X, 12  
 VDE IP66  
 IEC 60529, IP66  
 Meets NEMA Type 3RX requirements

#### Application

For indoor or outdoor applications that require corrosion protection from chemicals and water. CONCEPT® Enclosures feature streamlined styling with an attractive stroked finish and flush quarter-turn latches for secure closure. Available in solid- and window-door models.

#### Specifications

- Manufactured from Type 304 or Type 316L stainless steel
- Minimum-width body flange provides maximum body opening
- External formed 90-degree body flange
- Panel mounting studs fit optional CONCEPT panels and other accessories
- Mounting holes in back of body for direct mounting or for optional external mounting brackets
- Type 304 stainless steel hidden hinges promote clean aesthetic appearance
- Corner formed doors are interchangeable and easily removed by pulling clip-style hinge pins
- Provision on door (except window-door style and when B = 12 in.) for thermoplastic data pocket
- Provision on door (except window-door style and when B = 12 in.) for optional doorstop kit
- Quarter-turn latches furnished with flush slotted insert
- Seamless foam-in-place gasket
- Self-grounding latch system with double seal
- Bonding provision on door; grounding stud on body
- Furnished hardware kit consists of panel-mounting nuts, panel-grounding hardware and sealing washers for wall-mounting holes
- Installation instructions
- Window doors have a clear polycarbonate window

#### Finish

Door and body have smooth #4 brushed finish.

#### Accessories

See also Accessories.

Type 316 Stainless Steel Door Stop Kit  
 CONCEPT® Panels  
 H2OMIT® Vent Drains, Type 4X  
 H2OMIT® Thermoelectric Dehumidifier  
 Handles  
 Lock Inserts

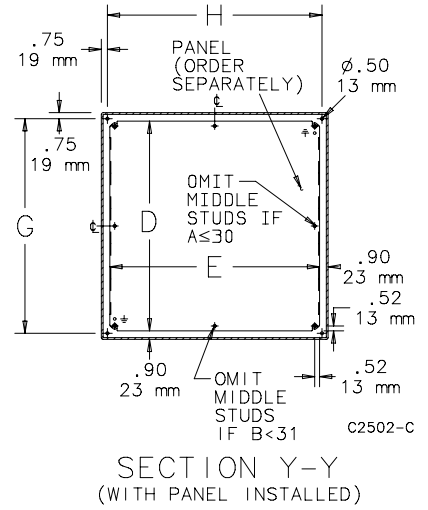
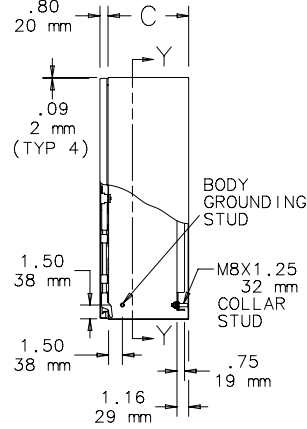
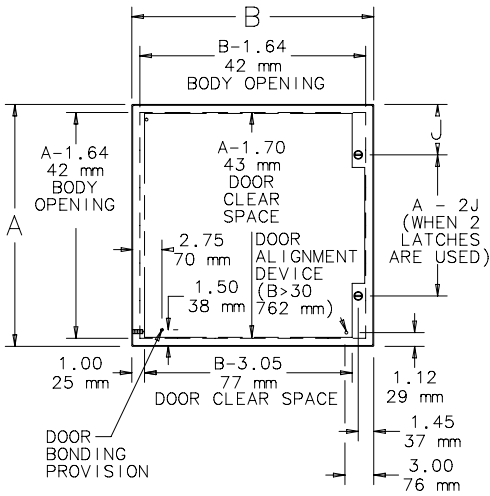
#### Modification and Customization

Hoffman excels at modifying and customizing products to your specifications. Contact your local Hoffman sales office or distributor for complete information.

Bulletin: CWS



**CONCEPT® Wall-Mount Enclosures**



**CONCEPT® Wall-Mount Enclosures**
**Standard Product One-Door with Window**

Catalog Number	AxBxC in.	AxBxC mm	Door Body		Panel	Panel Size		Mounting		Window Size		Latch			
			Ga.	Body		D x E (in.)	D x E (mm)	G x H (in.)	G x H (mm)	M x N (in.)	M x N (mm)	Qty.	Style	J (in.)	J (mm)
CSD12126WSS	12.00 x 12.00 x 6.00	305 x 305 x 152	16	18	CP1212	10.20 x 10.20	259 x 259	10.50 x 10.50	267 x 267	8.74 x 7.10	222 x 180	1	Quarter-turn	6.00	152
CSD16126WSS	16.00 x 12.00 x 6.00	406 x 305 x 152	16	18	CP1612	14.20 x 10.20	361 x 259	14.50 x 10.50	368 x 267	12.74 x 7.10	324 x 180	1	Quarter-turn	8.00	203
CSD20166WSS	20.00 x 16.00 x 6.00	508 x 406 x 152	16	18	CP2016	18.20 x 14.20	462 x 361	18.50 x 14.50	470 x 368	16.74 x 11.10	425 x 282	1	Quarter-turn	10.00	254
CSD20206WSS	20.00 x 20.00 x 6.00	508 x 508 x 152	16	18	CP2020	18.20 x 18.20	462 x 462	18.50 x 18.50	470 x 470	16.74 x 15.10	425 x 384	1	Quarter-turn	10.00	254
CSD20168WSS	20.00 x 16.00 x 8.00	508 x 406 x 203	16	18	CP2016	18.20 x 14.20	462 x 361	18.50 x 14.50	470 x 368	16.74 x 11.10	425 x 282	1	Quarter-turn	10.00	254
CSD20208WSS	20.00 x 20.00 x 8.00	508 x 508 x 203	16	18	CP2020	18.20 x 18.20	462 x 462	18.50 x 18.50	470 x 470	16.74 x 15.10	425 x 384	1	Quarter-turn	10.00	254
CSD24208WSS	24.00 x 20.00 x 8.00	610 x 508 x 203	16	18	CP2420	22.20 x 18.20	564 x 462	22.50 x 18.50	572 x 470	20.74 x 15.10	527 x 384	1	Quarter-turn	12.00	305
CSD24248WSS	24.00 x 24.00 x 8.00	610 x 610 x 203	14	16	CP2424	22.20 x 22.20	564 x 564	22.50 x 22.50	572 x 572	20.74 x 17.68	527 x 449	2	Quarter-turn	5.00	127
CSD30248WSS	30.00 x 24.00 x 8.00	762 x 610 x 203	14	16	CP3024	28.20 x 22.20	716 x 564	28.50 x 22.50	724 x 572	26.74 x 17.68	679 x 449	2	Quarter-turn	5.00	127
CSD161210WSS	16.00 x 12.00 x 10.00	406 x 305 x 254	16	18	CP1612	14.20 x 10.20	361 x 259	14.50 x 10.50	368 x 267	12.74 x 7.10	324 x 180	1	Quarter-turn	8.00	203
CSD201610WSS	20.00 x 16.00 x 10.00	508 x 406 x 254	16	18	CP2016	18.20 x 14.20	462 x 361	18.50 x 14.50	470 x 368	16.74 x 11.10	425 x 282	1	Quarter-turn	10.00	254
CSD202010WSS	20.00 x 20.00 x 10.00	508 x 508 x 254	16	18	CP2020	18.20 x 18.20	462 x 462	18.50 x 18.50	470 x 470	16.74 x 15.10	425 x 384	1	Quarter-turn	10.00	254
CSD242010WSS	24.00 x 20.00 x 10.00	610 x 508 x 254	16	18	CP2420	22.20 x 18.20	564 x 462	22.50 x 18.50	572 x 470	20.74 x 15.10	527 x 384	1	Quarter-turn	12.00	305
CSD242410WSS	24.00 x 24.00 x 10.00	610 x 610 x 254	14	16	CP2424	22.20 x 22.20	564 x 564	22.50 x 22.50	572 x 572	20.74 x 17.68	527 x 449	2	Quarter-turn	5.00	127
CSD302410WSS	30.00 x 24.00 x 10.00	762 x 610 x 254	14	16	CP3024	28.20 x 22.20	716 x 564	28.50 x 22.50	724 x 572	26.74 x 17.68	679 x 449	2	Quarter-turn	5.00	127
CSD202012WSS	20.00 x 20.00 x 12.00	508 x 508 x 305	14	16	CP2020	18.20 x 18.20	462 x 462	18.50 x 18.50	470 x 470	16.74 x 15.10	425 x 384	1	Quarter-turn	10.00	254
CSD302412WSS	30.00 x 24.00 x 12.00	762 x 610 x 305	14	16	CP3024	28.20 x 22.20	716 x 564	28.50 x 22.50	724 x 572	26.74 x 17.68	679 x 449	2	Quarter-turn	5.00	127

Purchase panels separately.

Optional NEMA style steel and stainless steel panels require conversion kit catalog number CCPM4.

Material is stainless steel Type 304.

For Conductive Panels, add a "G" to the panel catalog number.

**CONCEPT Single-Door Wall-Mounted Enclosures with Windows**
