



## CSB3-20T

20 Amp, 120/277 Volt, Toggle 3-Way AC Quiet Switch, Commercial Grade, Grounding, Back & Side Wired, - Light Almond

Leviton's Commercial Specification Grade switches are designed to offer outstanding reliability and top performance in commercial settings. Ideal applications include municipal facilities, government buildings, malls, department stores, hospital and health care facilities, office buildings, schools, colleges, universities, houses of worship and cultural institutions. Leviton offers a large selection of 15 and 20 Amp Commercial switches, available in a wide variety of colors, wiring options and other features.

### Technical Information

#### Product Features

**Actuator Material:** Thermoplastic

**Amperage:** 20 A

**Body Material:** Thermoplastic

**Color:** Light Almond

**Device Type:** Toggle Switch

**Function:** 3-Way

**Grade:** Commercial Specification Grade

**Grounding:** Grounding

**HP Rating:** 1HP-120V 2HP-240V-277V

**Max. Amperage:** 16 Amp

**Standards and Certifications:** UL/CSA

**Strap Material:** Steel

**Termination:** Back or Side Wire

**Voltage:** 120/277 VAC

**Warranty:** 10 Year Limited

#### Mechanical Specifications

**Termination:** Back or Side Wire

#### Electrical Specifications

**Amperage:** 20 A

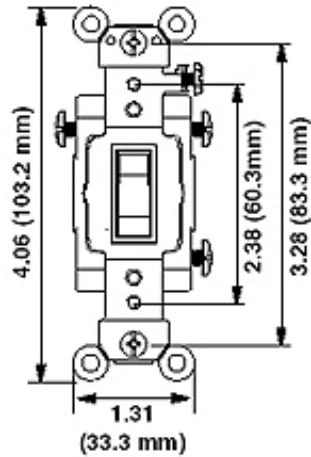
**Voltage:** 120/277 VAC

**Color:** **N/A** Light Almond

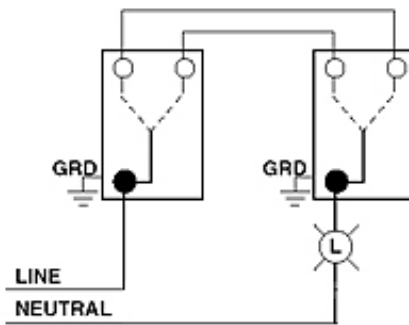
**UPC Code:** 078477301678

**Country Of Origin:** United States

### Dimensional Diagram



### Wiring Diagram 3-Way to 3-Way



### SPECIFICATION SUBMITTAL

JOB NAME: <input type="text"/>	CATALOG NUMBERS: <input type="text"/>	<input type="text"/>
JOB NUMBER: <input type="text"/>	<input type="text"/>	<input type="text"/>

#### Leviton Manufacturing Co., Inc.

201 North Service Road, Melville, NY 11747

Telephone: +1-800-323-8920 · FAX: +1-800-832-9538 · Tech Line (8:30AM-7:30PM E.S.T. Monday-Friday):

+1-800-824-3005

#### Leviton Manufacturing of Canada, Ltd.

165 Hymus Boulevard, Pointe Claire, Quebec H9R 1E9 · Telephone: +1-800-469-7890 ·

FAX: +1-800-824-3005 · [www.leviton.com/canada](http://www.leviton.com/canada)

#### Leviton S. de R.L. de C.V.

Lago Tana 43, Mexico DF, Mexico CP 11290 · Tel.: (+52)55-5082-1040 · FAX: (+52)5386-

1797 · [www.leviton.com.mx](http://www.leviton.com.mx)

Visit our Website at: [www.leviton.com](http://www.leviton.com)

© 2018 Leviton Manufacturing Co., Inc. All Rights Reserved. Subject to change without notice.

#### Leviton has a global presence.

If you would like to know where your local Leviton office is located please go to:

[www.leviton.com/international/contacts/](http://www.leviton.com/international/contacts/)

