

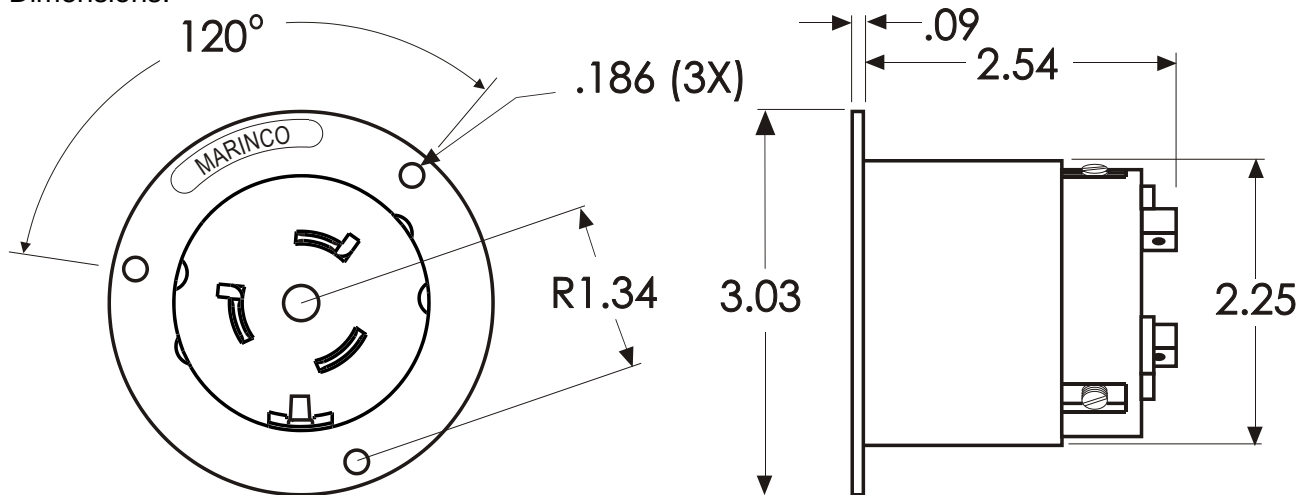
Web site: www.marinco.com
Phone: 800-307-6702
Date: February, 2012 Rev: 01

Flanged Inlet, locking
50A, 125/250V
3-Pole, 4-Wire

Catalog Number: CS6375SD.OEM

- Item:** Flanged inlet, locking.
- Rating:** 50 amperes, 125/250 volts, single-phase, 3-pole, 4-wire.
- Materials:** Flange is nylon.
Plug body is nylon with a CTI greater than 600 volts.
- Terminals:** Terminals have 5/16" screws with Perma-Lock™ collar to encapture the wire strands. The terminal screw does not bear down on the wire.
- Terminal Marking:** Terminal lugs are color coded.
Ground wire entrance hot stamped green and marked "G."
Neutral wire entrance hot stamped white and marked "W."
Phase wire entrances colored red and black and marked "X" and "Y."
- Blades:** Blades are solid brass 0.10" thick.
- Listings:** UL listed, File E57672
CSA certified, File LR81290

Dimensions:



Dimensions shown in inches