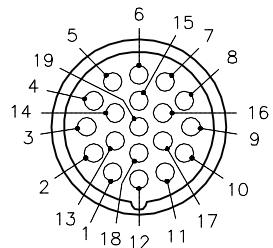



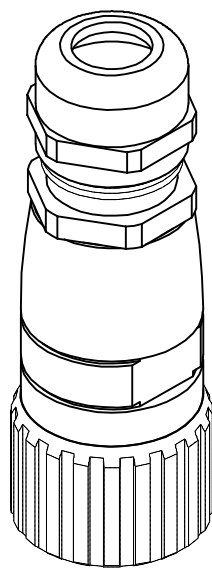
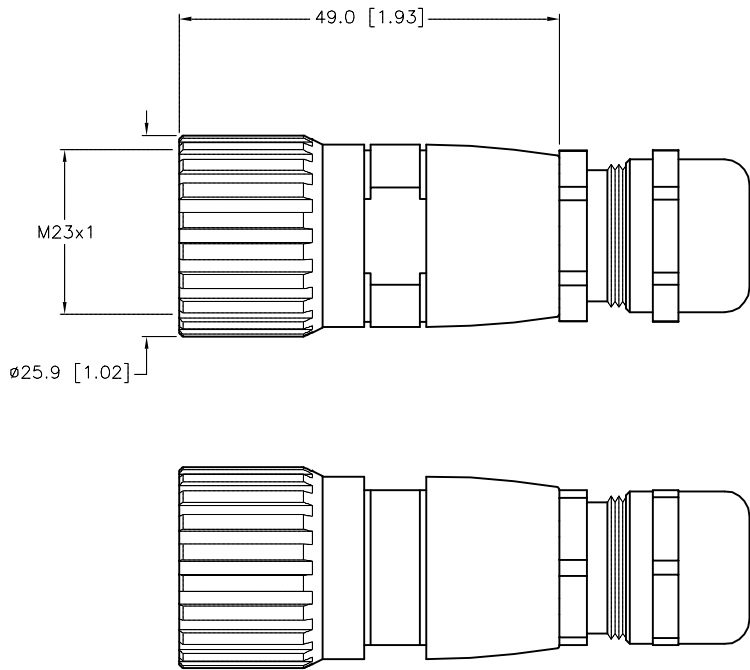
MALE END VIEW



 M23 connector

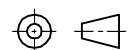
SPECIFICATIONS

CONTACT CARRIER MATERIAL	PBT OR NYLON
CONTACT MATERIAL/PLATING	BRASS/GOLD
COUPLING NUT MATERIAL/PLATING	BRASS/NICKEL
GASKET	NEOPRENE
RATED CURRENT [A]	4.0 A
RATED VOLTAGE [V]	250 V
MAX. CONDUCTORS SIZE	18 AWG
TERMINATION METHOD	SOLDER
TEMPERATURE	-40°C to 125°C (-40°F to 257°F)
PROTECTION CLASS	IEC IP 65
CABLE DIAMETERS	5mm (.197") to 12mm (.472)



SOURCE DRAWING - FOR REFERENCE ONLY

NOTES:
1. USE TOOL PART NUMBER "CK-TOOL" TO AID WITH ASSEMBLY OF FIELD-WIREABLE

RELATED DOCUMENTS		3RD ANGLE PROJECTION		THIS DRAWING IS CONFIDENTIAL AND THE PROPERTY OF TURCK INC. USE OF THIS DOCUMENT WITHOUT WRITTEN PERMISSION IS PROHIBITED.		3000 CAMPUS DRIVE MINNEAPOLIS, MN 55441 1-800-544-7769 (763) 553-7300 (763) 553-0708 fax www.turck.us	
1. 2. 3. 4.				DRFT RJP		DATE 4/24/96	
MATERIAL		ALL DIMENSIONS DISPLAYED ON THIS DRAWING ARE FOR REFERENCE ONLY		APVD		DESCRIPTION CS 19-0	
FINISH		CONTACT TURCK FOR MORE INFORMATION		UNIT OF MEASUREMENT MILLIMETER [INCH]		SCALE 1=1.0	
C ADD NOTES		RDS 10/09/20 76214		DO NOT SCALE THIS DRAWING		IDENTIFICATION NO. U0211-4	
REV DESCRIPTION		BY DATE ECO NO.		FILE: U0211-4		REV C	

C	ADD NOTES	RDS	10/09/20	76214
REV	DESCRIPTION	BY	DATE	ECO NO.