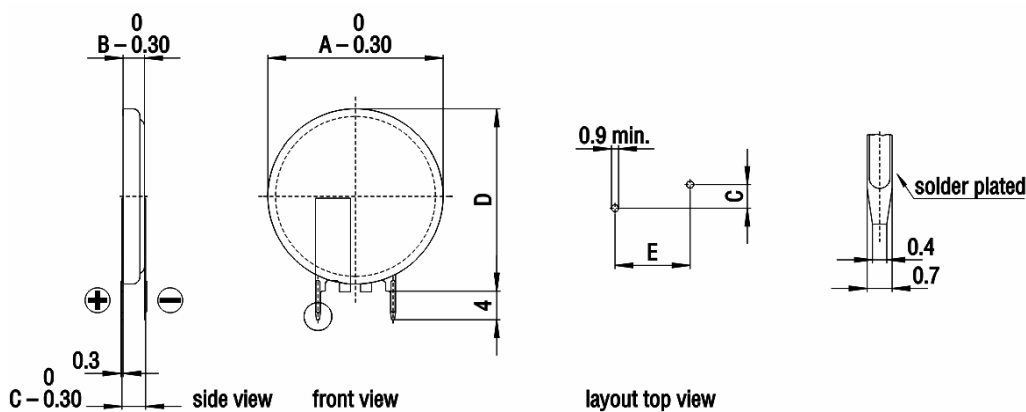


Tabbed Lithium Batteries

Tabbed 3V Lithium Batteries for P.C. Board Mounting – Two Pins Vertical



RENATA Part name	RENATA Part number	Nominal capacity (mAh)	Weight (g)	Maximum dimensions (mm)				
				A	B	C	D	E
CR1025FV-LF	701060	30	0.8	10.0	2.5	2.8	11.0	5.08
CR1025FV1-LF	701061	30	0.8	10.0	2.5	2.8	11.0	5.08
CR1220FV-LF	701064	38	1.0	12.5	2.0	2.3	13.5	5.08
CR1225FV-LF	701066	48	1.1	12.5	2.5	2.8	13.5	5.08
CR1616FV-LF	701381	50	1.3	16.0	1.6	1.9	17.0	5.08
CR1620FV-LF	701068	68	1.4	16.0	2.0	2.3	17.0	5.08
CR1632FV-LF	701071	125	2.0	16.0	3.2	3.5	17.0	5.08
CR2032FV-LF	701079	235	3.0	20.0	3.2	3.5	21.0	10.5
CR2320FV-LF	701084	150	2.9	23.0	2.0	2.3	24.0	10.5
CR2325FV-LF	701086	190	3.2	23.0	2.5	2.8	24.0	10.5
CR2430FV-LF	701091	285	4.3	24.5	3.0	3.3	25.5	10.5
CR2450NFV-LF	701096	540	6.1	24.5	5.0	5.8	25.5	10.5
CR2477NFV-LF	701101	950	8.4	24.5	7.7	8.0	25.5	10.5