

# C7X-24B114XK1FA-0CK9500 ✓ ACTIVE

RAYCHEM | RAYCHEM Cat 7

TE Internal #: CQ97443001

High Speed Digital & Data Cable, CAT7, 100 Ω, 24 AWG Wire Size,

Operating Temperature Range -25 – 75 °C [-13 – 167 °F],

RAYCHEM Cat 7

[View on TE.com >](#)



Wire & Cable > High Speed Digital & Data Cable



Cable Type: **CAT7**

Impedance: **100 Ω**

Wire Size: **24 AWG**

Operating Temperature Range: **-25 – 75 °C, -25 – 75 °C [-13 – 167 °F]**

## Features

### Product Type Features

Product Classification	Ethernet
Product Type	Cable

### Electrical Characteristics

Impedance	100 Ω
-----------	-------

### Dimensions

Wire Size	24 AWG
-----------	--------

### Usage Conditions

Cable Type	CAT7
Operating Temperature Range	-25 – 75 °C, -25 – 75 °C[-13 – 167 °F]

## Product Compliance

[For compliance documentation, visit the product page on TE.com>](#)

EU RoHS Directive 2011/65/EU	Compliant
EU ELV Directive 2000/53/EC	Compliant
China RoHS 2 Directive MIIT Order No 32, 2016	No Restricted Materials Above Threshold
EU REACH Regulation (EC) No. 1907/2006	Current ECHA Candidate List: JAN 2023 (233) Candidate List Declared Against: JAN 2023 (233)



Does not contain REACH SVHC

Halogen Content

Out of Scope - excluded from Halogen requirements

Solder Process Capability

Not applicable for solder process capability

Product Compliance Disclaimer

This information is provided based on reasonable inquiry of our suppliers and represents our current actual knowledge based on the information they provided. This information is subject to change. The part numbers that TE has identified as EU RoHS compliant have a maximum concentration of 0.1% by weight in homogenous materials for lead, hexavalent chromium, mercury, PBB, PBDE, DBP, BBP, DEHP, DIBP, and 0.01% for cadmium, or qualify for an exemption to these limits as defined in the Annexes of Directive 2011/65/EU (RoHS2). Finished electrical and electronic equipment products will be CE marked as required by Directive 2011/65/EU. Components may not be CE marked. Additionally, the part numbers that TE has identified as EU ELV compliant have a maximum concentration of 0.1% by weight in homogenous materials for lead, hexavalent chromium, and mercury, and 0.01% for cadmium, or qualify for an exemption to these limits as defined in the Annexes of Directive 2000/53/EC (ELV). Regarding the REACH Regulation, the information TE provides on SVHC in articles for this part number is based on the latest European Chemicals Agency (ECHA) 'Guidance on requirements for substances in articles' posted at this URL: <https://echa.europa.eu/guidance-documents/guidance-on-reach>

Also in the Series | RAYCHEM Cat 7



High Speed Digital & Data Cable(4)

Customers Also Bought



TE Part #1-6450869-4  
V/R 2ACP+1LP+32S+3HDP+1LP+1P



TE Part #1-1410271-1  
MULTIGIG RT PWR .8" R/A HDR 4P  
PBFR



TE Part #1410186-1  
MULTIGIG RT T2 .8" BP H-LFT



TE Part #1410140-1  
MULTIGIG RT T2 .8" BP FULL CNT



TE Part #1437566-4  
FSMSMTR=TACT SWITCH



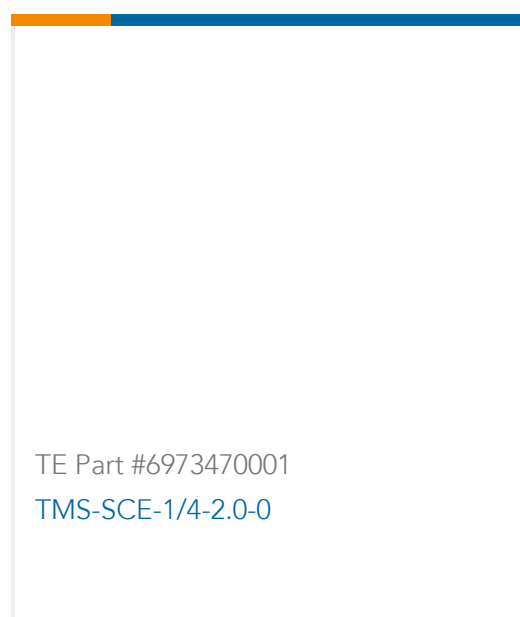
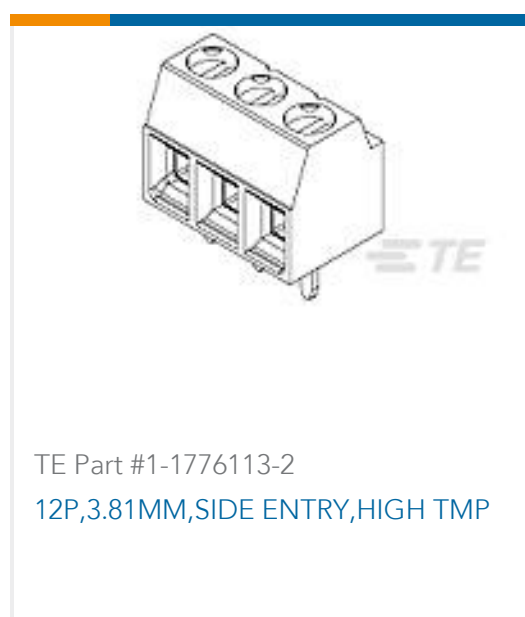
TE Part #1410270-2  
MULTIGIG RT PWR .8" VRT RCP 4P  
PBFR



TE Part #1757820-6  
AMPLIMITE,ASY,RCPT,STD,109,ZN,1,  
CT



TE Part #1588908-1  
PRO BEAM JR, FRRL KIT, PC 126  
SEALED



## Documents

### Product Drawings

[C7X-24B114XK1FA-0CK9500](#)

English

### Product Specifications

[Product Specification](#)

English