



Wire Protection & Management > Cable Braids



Primary Product Plating Material: **Nickel**

Primary Product Material: **Copper Alloy**

Braid Coverage: **85 %**

## Features

### Electrical Characteristics

DC Resistance (Nominal)	7 mΩ
-------------------------	------

### Body Features

Primary Product Plating Material	Nickel
Primary Product Material	Copper Alloy

### Dimensions

Weight (Nominal)	45 kg/km
Product Length	10 m[32.08 ft]
Cable Entry Diameter	15 – 25 mm[.591 – .984 in]

### Usage Conditions

Operating Temperature Range	-65 – 200 °C
-----------------------------	--------------

### Packaging Features

Packaging Quantity	10
Packaging Method	Reel

### Other

Braid Coverage	85 %
----------------	------

## Product Compliance

[For compliance documentation, visit the product page on TE.com>](#)

EU RoHS Directive 2011/65/EU	Compliant
EU ELV Directive 2000/53/EC	Compliant

China RoHS 2 Directive MIIT Order No 32, 2016

No Restricted Materials Above Threshold

EU REACH Regulation (EC) No. 1907/2006

Current ECHA Candidate List: JUNE 2024  
(241)Candidate List Declared Against: JAN 2024  
(240)

Does not contain REACH SVHC

Halogen Content

Not Yet Reviewed for halogen content

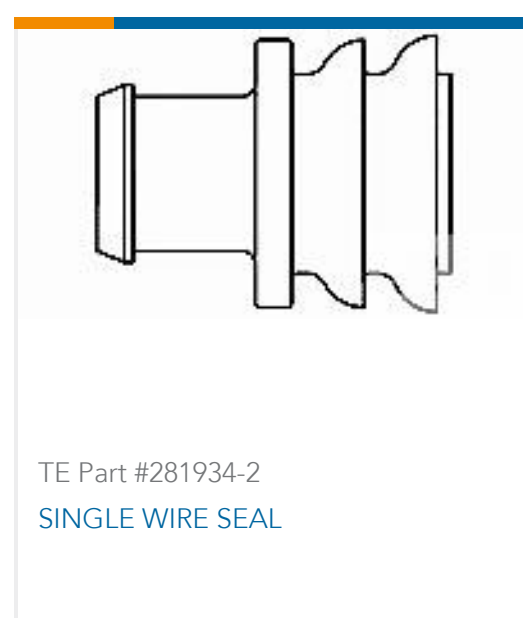
Solder Process Capability

Not applicable for solder process capability

## Product Compliance Disclaimer

This information is provided based on reasonable inquiry of our suppliers and represents our current actual knowledge based on the information they provided. This information is subject to change. The part numbers that TE has identified as EU RoHS compliant have a maximum concentration of 0.1% by weight in homogenous materials for lead, hexavalent chromium, mercury, PBB, PBDE, DBP, BBP, DEHP, DIBP, and 0.01% for cadmium, or qualify for an exemption to these limits as defined in the Annexes of Directive 2011/65/EU (RoHS2). Finished electrical and electronic equipment products will be CE marked as required by Directive 2011/65/EU. Components may not be CE marked. Additionally, the part numbers that TE has identified as EU ELV compliant have a maximum concentration of 0.1% by weight in homogenous materials for lead, hexavalent chromium, and mercury, and 0.01% for cadmium, or qualify for an exemption to these limits as defined in the Annexes of Directive 2000/53/EC (ELV). Regarding the REACH Regulation, the information TE provides on SVHC in articles for this part number is based on the latest European Chemicals Agency (ECHA) 'Guidance on requirements for substances in articles' posted at this URL: <https://echa.europa.eu/guidance-documents/guidance-on-reach>

## Customers Also Bought



## Documents

## Datasheets &amp; Catalog Pages

[1654025\\_Sec9\\_Ray90\\_Ray101\\_Ray103](#)

English

[Harness Repair Products Quick Reference Guide](#)



English