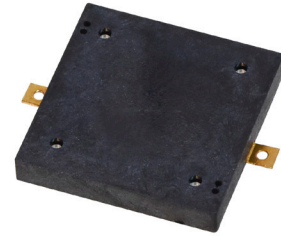
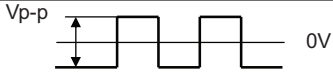



MODEL: CPT-2016-75-SMT-TR | **DESCRIPTION:** PIEZO BUZZER TRANSDUCER

FEATURES

- surface mount
- SPL 75 dB
- piezo
- externally driven


SPECIFICATIONS

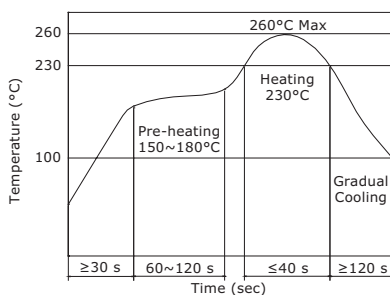
parameter	conditions/description	min	typ	max	units
rated voltage			3		Vp-p
operating voltage		3		20	Vp-p
current consumption	at rated voltage, 4,000 Hz, 1/2 duty square wave			5	mA
rated frequency			4,000		Hz
sound pressure level	at 10 cm, rated voltage, 4,000 Hz, 1/2 duty square wave	75			dB
electrostatic capacitance	at 120 Hz	11,200	16,000	20,800	pF
dimensions	16.0 x 16.0 x 2.5				mm
weight			0.9		g
material	LCP				
terminal	surface mount (brass with gold plating)				
operating temperature		-40		85	°C
storage temperature		-40		85	°C
RoHS	yes				

Notes: 1. All specifications measured at 25±3°C, humidity at 60~70%, under 86~106 kPa pressure, unless otherwise noted.

SOLDERABILITY

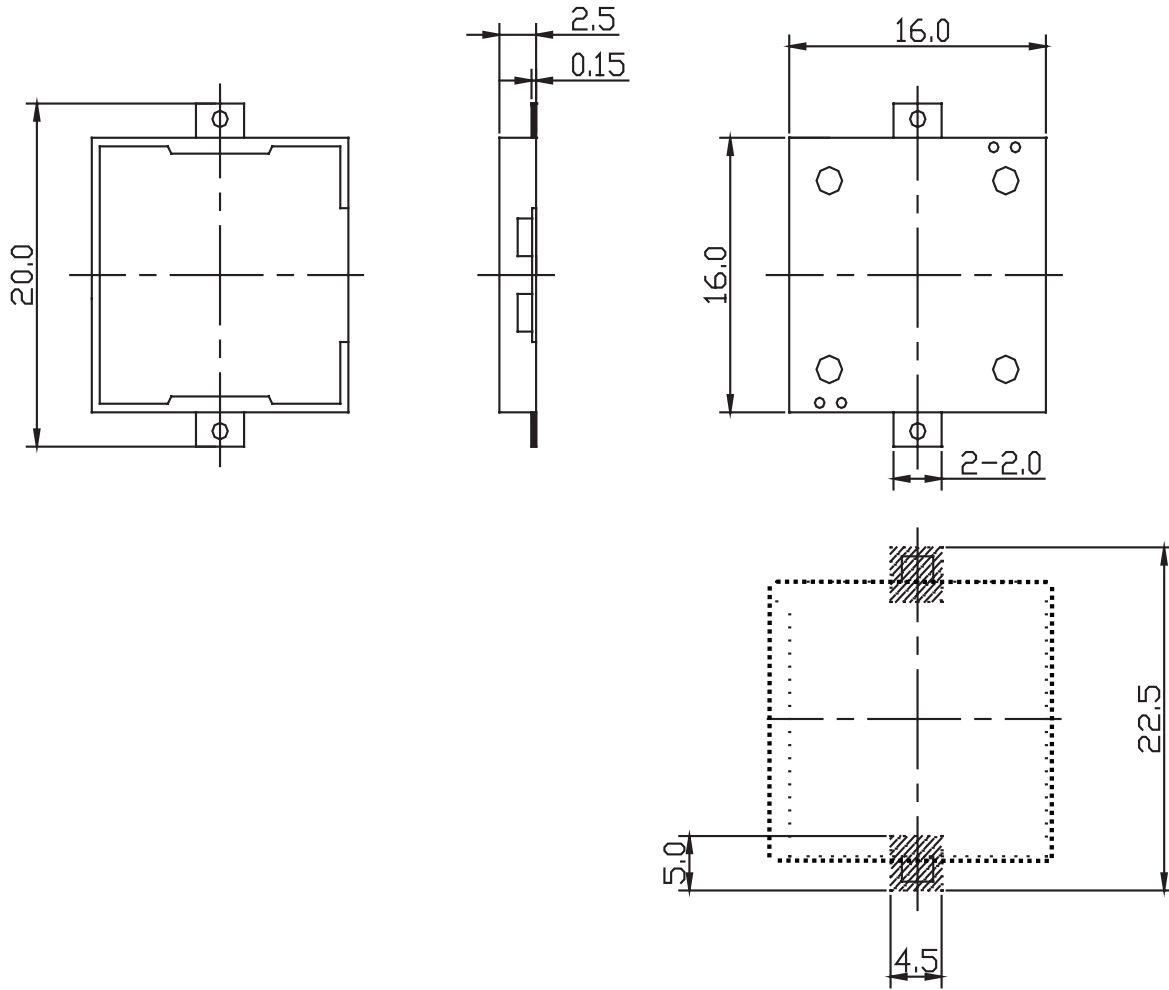
parameter	conditions/description	min	typ	max	units
reel storage	at relative humidity <60%			25	°C
reflow soldering ²	see recommended reflow soldering profile			260	°C
drying conditions ³	bake at 40°C for 24 hours				

Note: 2. It is recommended to reflow solder within 48 hours from opening vacuum packaging at a temperature <30°C & relative humidity <60%.
3. When out of packaging for more than 48 hours.



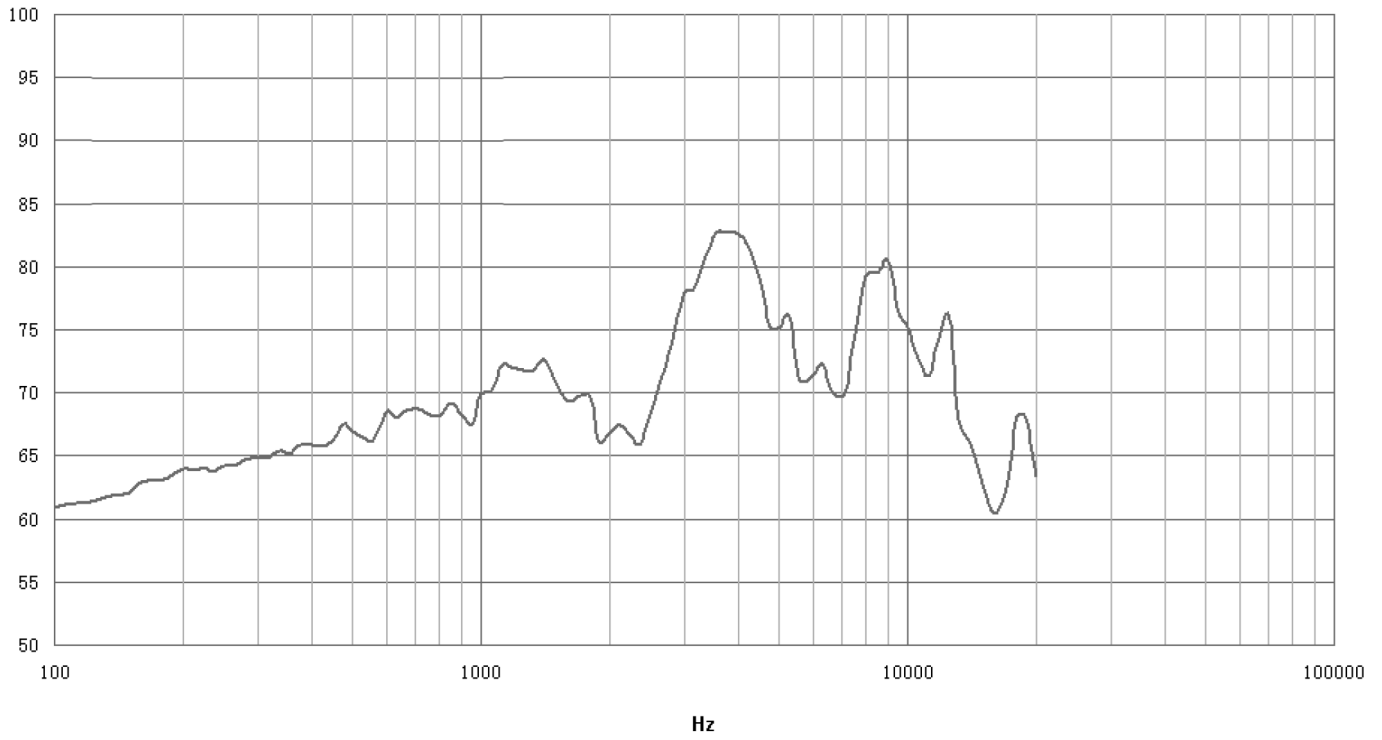
MECHANICAL DRAWING

units: mm
tolerance: ± 0.5 mm

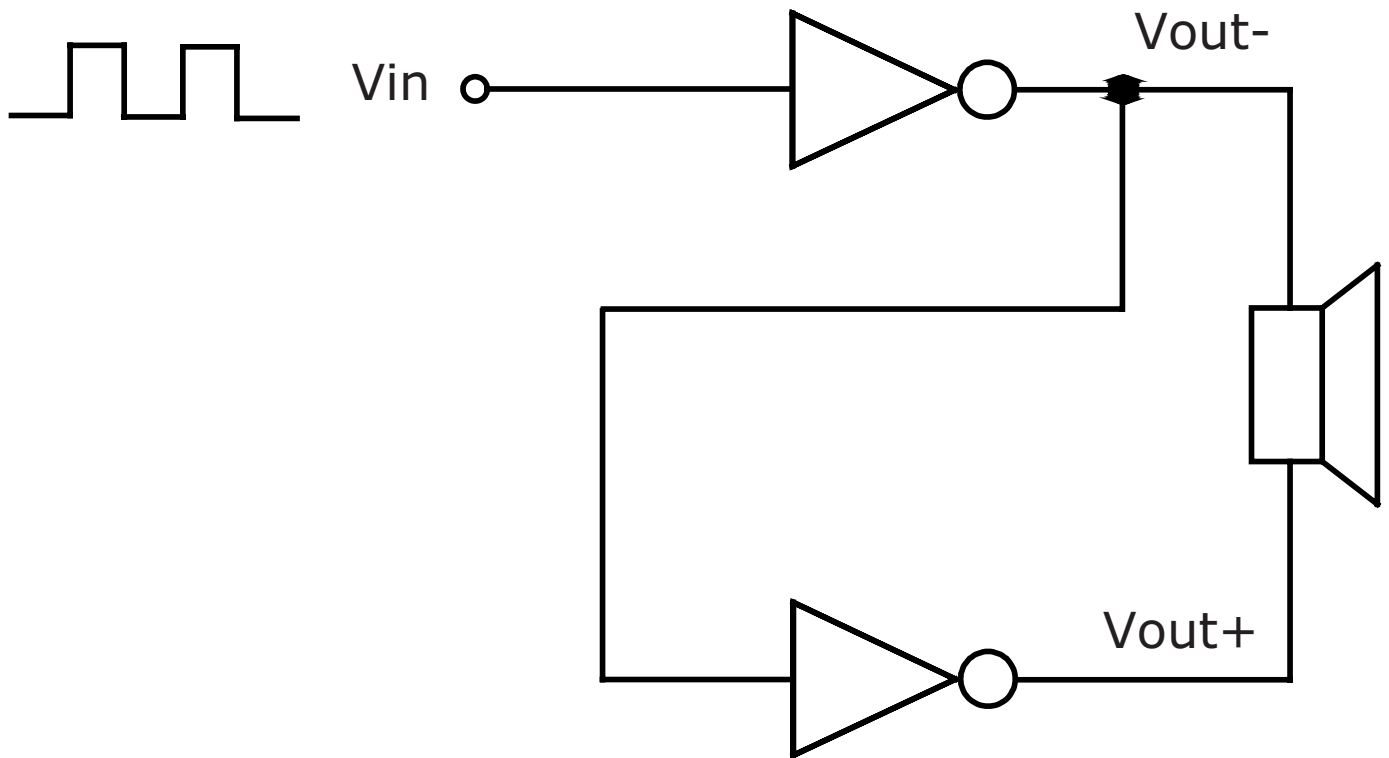


Recommended PCB Layout
Top View

FREQUENCY RESPONSE CURVE



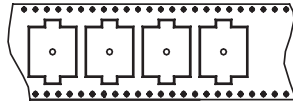
APPLICATION CIRCUIT



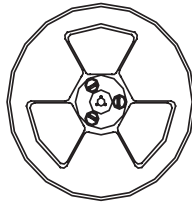
PACKAGING

units: mm

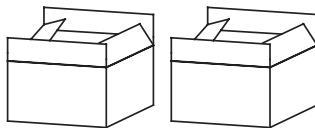
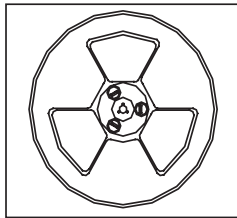
Reel Size: Ø330 mm
 Reel QTY: 800 pcs per reel
 Carton Size: 358 x 358 x 615 mm
 Carton QTY: 8,000 pcs per carton



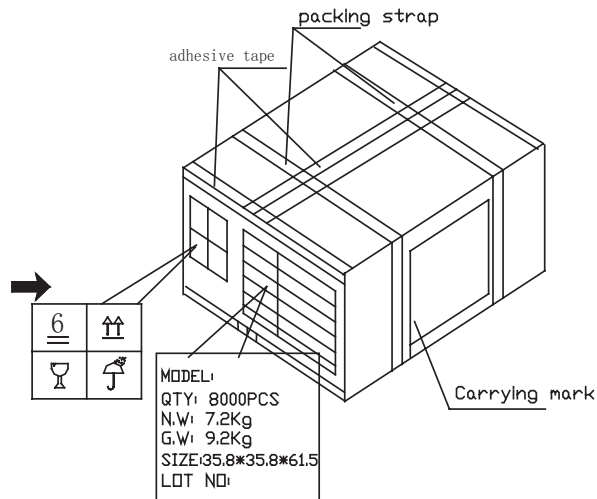
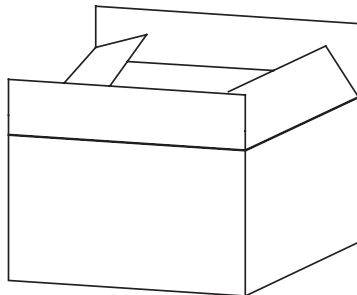
800PCS/TAPE



800PCS/SPOOL



5SPOOL/BOX
 4000PCS/BOX
 box size:340x340x300mm;



REVISION HISTORY

rev.	description	date
1.0	initial release	07/15/2019

The revision history provided is for informational purposes only and is believed to be accurate.



CUI INC[®]

Headquarters
20050 SW 112th Ave.
Tualatin, OR 97062
800.275.4899

Fax 503.612.2383
cui.com
techsupport@cui.com

CUI offers a one (1) year limited warranty. Complete warranty information is listed on our website.

CUI reserves the right to make changes to the product at any time without notice. Information provided by CUI is believed to be accurate and reliable. However, no responsibility is assumed by CUI for its use, nor for any infringements of patents or other rights of third parties which may result from its use.

CUI products are not authorized or warranted for use as critical components in equipment that requires an extremely high level of reliability. A critical component is any component of a life support device or system whose failure to perform can be reasonably expected to cause the failure of the life support device or system, or to affect its safety or effectiveness.