

**NOTES:**

**1. MATERIALS AND FINISHES:**

- INSULATOR: GLASS FILLED PLASTIC UL 94 V-0 RATED, GREY RAL 7035 D
- CONTACTS: COPPER ALLOY, PLATING: FLASH GOLD OVER NICKEL

**2. ELECTRICAL CHARACTERISTICS:**

CREEPING AND CLEARANCE DISTANCE; MINIMUM:

- CONTACT 38 TO CONTACT 37: 2.5 MM
- CONTACT 38 TO CONTACT 36: 3.2 MM
- CONTACT 37 TO CONTACT 36: 3.2 MM
- CONTACT 38 TO SIGNAL CONTACTS: 6.4 MM
- CONTACT 37 TO SIGNAL CONTACTS: 6.4 MM
- CONTACT 36 TO SIGNAL CONTACTS: 2.0 MM

CONTACT CURRENT RATING:

- POWER CONTACTS POS. 36-38: 40 AMPERES CONTINUOUS, ALL CONTACTS UNDER LOAD
- POWER CONTACTS POS. 1-20: 28 AMPERES CONTINUOUS, ALL CONTACTS UNDER LOAD
- SIGNAL CONTACTS: 5 AMPERES NOMINAL

INITIAL CONTACT RESISTANCE PER IEC 512-2, TEST 2b:

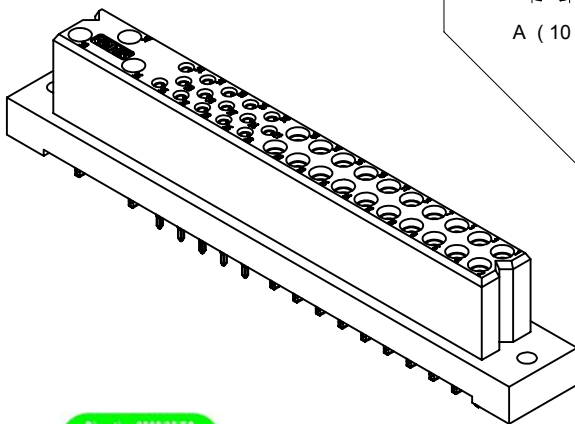
- POWER CONTACTS: 0.0007 OHM MAX.
- SIGNAL CONTACTS: 0.004 OHM MAX.

INSULATION RESISTANCE: 5 G OHM PER IEC 512-2, TEST 3a, METHOD A

**3. WORKING TEMPERATURE: -55°C TO +125°C**

**4. PRESS-FIT PART OF CONTACTS ARE PATENT PROTECTED**

**5. CONNECTOR IS PART MARKED: [PART\_NO.]\_CONEC\_[ABC]**



15	Signal contact (Pos. 21-35)	5		
20	Power contact type 3 (Pos. 1-20)	4		
1	Power contact type 2 (Pos. 36)	3		
2	Power contact type 1 (Pos. 37-38)	2		
1	Case 38pos. female	1		
quantity	part description	item	dwg no. / norm	material

THIS DRAWING MAY NOT BE COPIED OR REPRODUCED IN ANY WAY, AND MAY NOT BE PASSED ON TO A THIRD PARTY WITHOUT THE WRITTEN PERMISSION AND COPYRIGHT OF CONEC GmbH	finish:	tolerance	scale:	2:1
	see notes	ISO 2768-m	material:	see notes
		date	name	title:
		drawn	10.02.05	Mankopf
	appd.	10.02.05	Kühle	PRESS-FIT STRAIGHT
	norm			CompactPCI
	d-old			dwg no: [Inventor]
1x c	Ä 2207	18.04.05	Mkf.	DIN-
1x b	Ä 2168	21.02.05	Mkf.	A2
rev.	description	date	name	sh: 1
<b>CONEC</b>				part no: CPH38W23FGE3SK9X <span style="border: 1px solid black; border-radius: 50%; padding: 0 2px;">C</span>