



Terminals & Splices > Splices



Splice Type: **Closed End Splice**

Wire Size: **22 – 14 AWG**

Sealable: **No**

Splice Capacity: **3 + Ground**

Splice Features: **Standard**

## Features

### Product Type Features

|  |                        |
|--|------------------------|
| Splice Accessory Type                  | Wire Cap               |
| Splice Type                            | Closed End Splice      |
| Sealable                               | No                     |
| Wire Insulation Support Retention Type | Non-Insulation Support |

### Configuration Features

|                                   |               |
|-----------------------------------|---------------|
| Splice Capacity                   | 3 + Ground    |
| Compatible With Wire & Cable Type | Discrete Wire |

### Electrical Characteristics

|                   |         |
|-------------------|---------|
| Operating Voltage | 600 VAC |
|-------------------|---------|

### Body Features

|                       |          |
|-----------------------|----------|
| Splice Features       | Standard |
| Primary Product Color | Gray     |

### Contact Features

|                       |        |
|-----------------------|--------|
| Contact Base Material | Steel  |
| Barrel Type           | Closed |

### Mechanical Attachment

|                         |         |
|-------------------------|---------|
| Wire Insulation Support | Without |
|-------------------------|---------|

### Dimensions



|           |             |
|-----------|-------------|
| Wire Size | 22 – 14 AWG |
|-----------|-------------|

.04 in

|                |                   |
|----------------|-------------------|
| Product Length | 15.01 mm[.591 in] |
|----------------|-------------------|

### Usage Conditions

|                   |                 |
|-------------------|-----------------|
| Insulation Option | Fully Insulated |
|-------------------|-----------------|

|                             |        |
|-----------------------------|--------|
| Operating Temperature Range | 105 °C |
|-----------------------------|--------|

### Operation/Application

|                                    |        |
|------------------------------------|--------|
| Compatible With Wire Base Material | Copper |
|------------------------------------|--------|

### Industry Standards

|                             |    |
|-----------------------------|----|
| Government Qualified Splice | No |
|-----------------------------|----|

### Packaging Features

|                  |     |
|------------------|-----|
| Packaging Method | Bag |
|------------------|-----|

## Product Compliance

[For compliance documentation, visit the product page on TE.com>](#)

|                              |           |
|------------------------------|-----------|
| EU RoHS Directive 2011/65/EU | Compliant |
|------------------------------|-----------|

|                             |           |
|-----------------------------|-----------|
| EU ELV Directive 2000/53/EC | Compliant |
|-----------------------------|-----------|

|   |   |
|---|---|
| China RoHS 2 Directive MIIT Order No 32, 2016 | No Restricted Materials Above Threshold |
|---|---|

|  |   |
|--|---|
| EU REACH Regulation (EC) No. 1907/2006 | Current ECHA Candidate List: JUNE 2024 (241)<br>Candidate List Declared Against: JUNE 2024 (241)<br>Does not contain REACH SVHC |
|--|---|

|                 |   |
|-----------------|---|
| Halogen Content | Low Halogen - Br, Cl, F, I < 900 ppm per homogenous material. Also BFR/CFR/PVC Free |
|-----------------|---|

|                           |  |
|---------------------------|--|
| Solder Process Capability | Not reviewed for solder process capability |
|---------------------------|--|

#### Product Compliance Disclaimer

This information is provided based on reasonable inquiry of our suppliers and represents our current actual knowledge based on the information they provided. This information is subject to change. The part numbers that TE has identified as EU RoHS compliant have a maximum concentration of 0.1% by weight in homogenous materials for lead, hexavalent chromium, mercury, PBB, PBDE, DBP, BBP, DEHP, DIBP, and 0.01% for cadmium, or qualify for an exemption to these limits as defined in the Annexes of Directive 2011/65/EU (RoHS2). Finished electrical and electronic equipment products will be CE marked as required by Directive 2011/65/EU. Components may not be CE marked. Additionally, the part numbers that TE has identified as EU ELV compliant have a maximum concentration of 0.1% by weight in homogenous materials for lead, hexavalent chromium, and mercury, and 0.01% for cadmium, or qualify for an exemption to these limits as defined in the Annexes of Directive 2000/53/EC (ELV). Regarding the REACH Regulation, the information TE provides on SVHC in articles for this part number is based on the latest European Chemicals Agency (ECHA) 'Guidance on requirements for substances in articles' posted at this URL: <https://echa.europa.eu/guidance-documents/guidance-on-reach>

## Compatible Parts



TE Part # 2324697-2  
PUSH GRIP CONNECTOR 2P



TE Part # 2324697-3  
PUSH GRIP CONNECTOR 3P



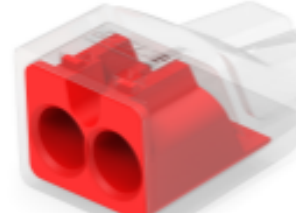
TE Part # 2324697-4  
PUSH GRIP CONNECTOR 4P



TE Part # 2324697-5  
PUSH GRIP CONNECTOR 5P



TE Part # 2324697-6  
PUSH GRIP CONNECTOR 6P



TE Part # 2388553-2  
PUSH-IN CONNECTOR, 2 POS



TE Part # 2388553-3  
PUSH-IN CONNECTOR, 3 POS

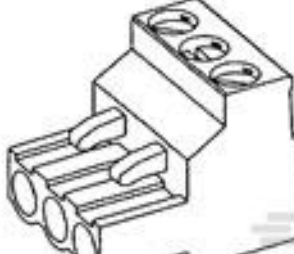


TE Part # 2388553-4  
PUSH-IN CONNECTOR, 4 POS



TE Part # 2388553-5  
PUSH-IN CONNECTOR, 5 POS

## Customers Also Bought



TE Part #796634-4  
4 POS 5.08MM R/A PLUG,TRM BLK



TE Part #1-640387-0  
10P MTA156 HDR ASSY SQ R/A



TE Part #2-520181-2  
ULTRA-FAST 187 ASY REC 22-18 AWG TPBR



TE Part #173722-1  
187 PL EX REC. 26-20AWG PTBR



## Documents

### Product Drawings

[CPGI-WC-WG-GR-BULK](#)

English

### Datasheets & Catalog Pages

[Twist Splice Wire Connectors flyer](#)

English

[Twist Splice wire connectors](#)