



## CONSMP005-G

### SMP Jack Cable-Mount Connector

The CONSMP005-G is an SMP right angle jack (female socket) connector designed for use with .047, or equivalent semi-rigid coaxial cable. Operating from 0 GHz to 26.5 GHz, the CONSMP005-G combines superior performance, compact size, and a convenient snap-on mating interface to provide a reliable, easy-to-use connector. Additionally, all Linx connectors meet RoHS lead free standards and are tested to meet requirements for corrosion resistance, vibration, mechanical and thermal shock.

#### FEATURES

- 0 to 26.5 GHz operation
- Gold plating
  - Superior corrosion resistance
- SMP jack (female socket) connection
  - Gold plated beryllium copper center contact
- Right angle body
- Solder type coaxial cable-mount for use with
- .047 semi-rigid cable

#### APPLICATIONS

- Cellular IoT
  - LTE-M (Cat-M1), NB-IoT
- Cellular
  - 5G/4G LTE/3G/2G
- WiFi/WLAN
  - WiFi 6/6E
- GNSS
  - GPS, Galileo, GLONASS, BeiDou, QZSS
- Radar, Satellite Communications, Experimental
- Industrial, Commercial, Enterprise

#### TABLE 1. ELECTRICAL SPECIFICATIONS

Parameter	Value	
Impedance	50 $\Omega$	
Frequency Range	0 to 26.5 GHz	
Voltage Rating	500 V RMS	
Contact Resistance	Center: $\leq 6.0$ m $\Omega$ Outer: $\leq 2.0$ m $\Omega$	
Select Frequencies	0 GHz to 18 GHz	18 GHz to 26.5 GHz
Insertion Loss (dB max.)	0.62	1.29
VSWR (max.)	1.9	2.7

## ORDERING INFORMATION

Part Number	Description
CONSMPO05-G	SMP right-angle jack (female socket) cable-mount connector

Available from Linx Technologies and select distributors and representatives.

## PRODUCT DIMENSIONS

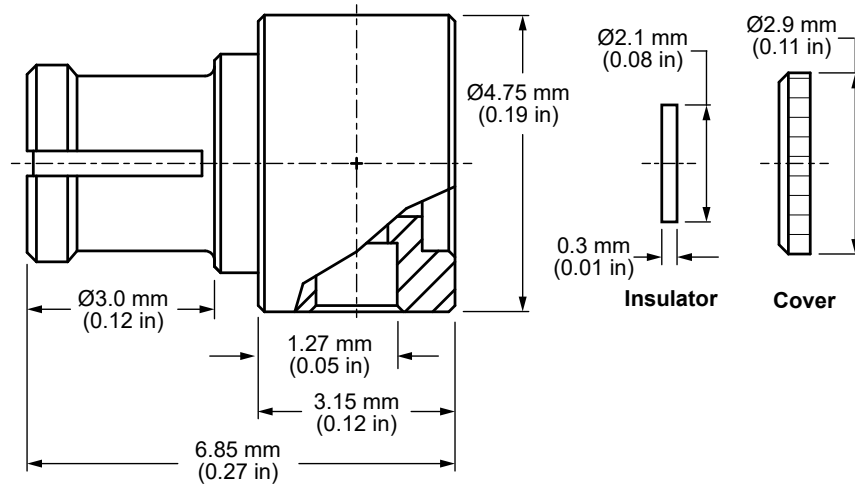


Figure 1. Product Dimensions for the CONSMPO05-G Connector

## 2. CONNECTOR COMPONENTS

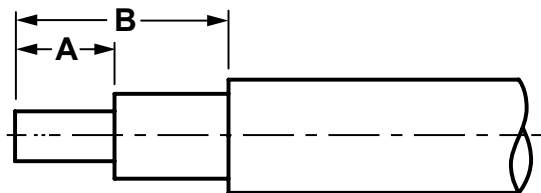
Connector Body	Beryllium Copper	Gold
Center Contact (female socket)	Beryllium Copper	Gold
Insulator	PTFE	-
Cover	Brass	Gold

## RECOMMENDED PCB FOOTPRINT

The CONSMPO05-G provides a solder type coaxial cable retention system for installation to the connector. The coaxial cable trim dimensions are provided below in Table 3.

TABLE 3. COAXIAL CABLE TRIM DIMENSIONS FOR THE CONSMPO05-G CONNECTOR

Coaxial Cable Types	A	B
.047 semi-rigid	0.7 mm (0.03 in)	1.6 mm (0.06 in)



## CONNECTOR PERFORMANCE

Table 4 shows insertion loss and VSWR values for the CONSMP005-G connector at commonly used frequencies. Insertion loss is the loss of signal power (gain) resulting from the insertion of a device in a transmission line. VSWR describes how efficiently power is transmitted through the connector. A lower VSWR value indicates better performance at a given frequency.

**TABLE 4. INSERTION LOSS AND VSWR FOR THE CONSMP005-G CONNECTOR**

Band	Low-Band Cellular/ ISM/LPWA	GNSS, Midband Cellular, Wifi	WiFi 6E	Ku
Frequency Range	400 MHz to 960 MHz	1.1 GHz to 5 GHz	5 GHz to 7.125 GHz	12 GHz to 18 GHz
Insertion Loss (dB max.)	0.11	0.23	0.29	0.62
VSWR (max.)	1.0	1.1	1.3	1.9

**TABLE 5. MECHANICAL SPECIFICATIONS**

Model	CONSMP005-G
Mounting Type	Cable Mount (solder type)
Fastening Type	Snap-on Coupling
Interface in Accordance with	MIL-STD-348B
Connector Durability	100 cycles min.
Weight	0.5 g (0.02 oz)

**TABLE 6. ENVIRONMENTAL SPECIFICATIONS**

MIL-STD, Method, Test Condition	
Corrosion (Salt spray)	MIL-STD-202 Method 101 test condition B
Thermal Shock	MIL-STD-202 Method 107 test condition C
Vibration	MIL-STD-202 Method 204 test condition B
Mechanical Shock	MIL-STD-202 Method 213 test condition B
Moisture Resistance	MIL-STD-202 Method 106 test condition D
Temperature Range	-65 °C to +165 °C
Environmental Compliance	RoHS

## PACKAGING INFORMATION

The CONSMP005-G connector is placed in sealed plastic bags of 100 pcs. Distribution channels may offer alternative packaging options.

---

## TE TECHNICAL SUPPORT CENTER

USA:	+1 (800) 522-6752
Canada:	+1 (905) 475-6222
Mexico:	+52 (0) 55-1106-0800
Latin/S. America:	+54 (0) 11-4733-2200
Germany:	+49 (0) 6251-133-1999
UK:	+44 (0) 800-267666
France:	+33 (0) 1-3420-8686
Netherlands:	+31 (0) 73-6246-999
China:	+86 (0) 400-820-6015

## te.com

TE Connectivity, TE, TE connectivity (logo), Linx and Linx Technologies are trademarks owned or licensed by the TE Connectivity Ltd. family of companies. All other logos, products and/or company names referred to herein might be trademarks of their respective owners.

The information given herein, including drawings, illustrations and schematics which are intended for illustration purposes only, is believed to be reliable. However, TE Connectivity makes no warranties as to its accuracy or completeness and disclaims any liability in connection with its use. TE Connectivity's obligations shall only be as set forth in TE Connectivity's Standard Terms and Conditions of Sale for this product and in no case will TE Connectivity be liable for any incidental, indirect or consequential damages arising out of the sale, resale, use or misuse of the product. Users of TE Connectivity products should make their own evaluation to determine the suitability of each such product for the specific application.

TE Connectivity warrants to the original end user customer of its products that its products are free from defects in material and workmanship. Subject to conditions and limitations TE Connectivity will, at its option, either repair or replace any part of its products that prove defective because of improper workmanship or materials. This limited warranty is in force for the useful lifetime of the original end product into which the TE Connectivity product is installed. Useful lifetime of the original end product may vary but is not warranted to exceed one (1) year from the original date of the end product purchase.

©2022 TE Connectivity. All Rights Reserved.

11/22 Original