



## CONSMB003.062-G

### SMB Jack PCB Edge Mount Connector

The CONSMB003.062-G is an SMB jack PCB surface-mount connector designed for reflow- solder mounting directly to a printed circuit board. Operating from 0 GHz to 6.5 GHz, the CONSMB003.062-G combines superior performance, compact size, and a convenient snap- on mating interface to provide a reliable, easy-to-use connector. Additionally, all Linx connectors meet RoHS lead free standards and are tested to meet requirements for corrosion resistance, vibration, mechanical and thermal shock.

#### FEATURES

- 0 to 6.5 GHz operation
- Gold plating
  - Superior corrosion resistance
- SMB jack (male pin) connection
  - Gold plated brass center contact
- Direct PCB attachment
- Reflow- or hand-solder assembly

#### APPLICATIONS

- LPWA
  - LoRaWAN®, Sigfox®, WiFi HaLow™ (802.11ah)
- Cellular IoT
  - LTE-M (Cat-M1), NB-IoT
- Cellular
  - 5G/4G LTE/3G/2G
- GNSS
  - GPS, Galileo, GLONASS, BeiDou, QZSS
- Industrial/Commercial/Enterprise
- ISM

#### TABLE 1. ELECTRICAL SPECIFICATIONS

Parameter	Value	
Impedance	50 Ω	
Frequency Range	0 to 6.5 GHz	
Voltage Rating	750 V RMS	
Contact Resistance	Center: ≤ 6.0 mΩ Outer: ≤ 1.0 mΩ	
Select Frequencies	400 MHz to 960 MHz	2.4 GHz
Insertion Loss (dB max)	-0.12	-0.36
VSWR (max)	1.1	1.6

## ORDERING INFORMATION

Part Number	Description
CONSMB003.062-G	SMB jack (male pin) PCB edge-mount connector

Available from Linx Technologies and select distributors and representatives.

## PRODUCT DIMENSIONS

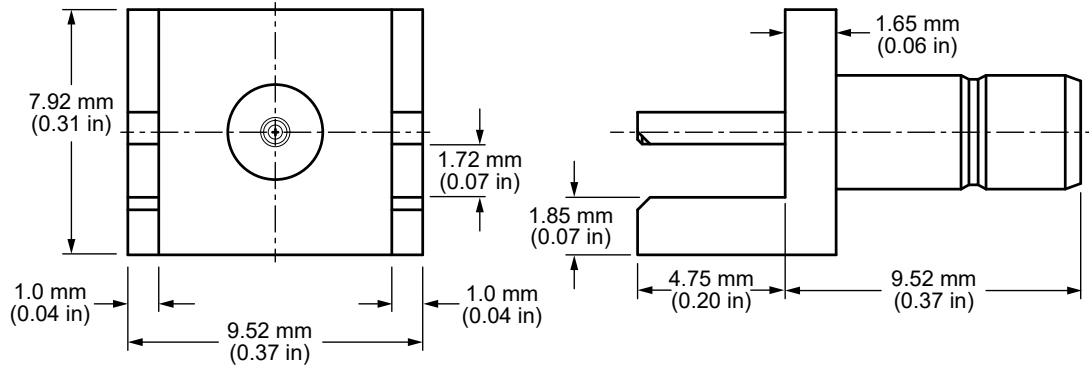


Figure 1. Product Dimensions for the CONSMB003.062-G Connector Table

## 2. CONNECTOR COMPONENTS

Model	CONSMB003.062-G	
Connector Part	Material	Finish
Connector Body	Brass	Gold
Center Contact (male pin)	Brass	Gold
Insulator	PTFE	-

## RECOMMENDED PCB FOOTPRINT

Figure 2 shows the connectors recommended PCB footprint and through hole sizes.

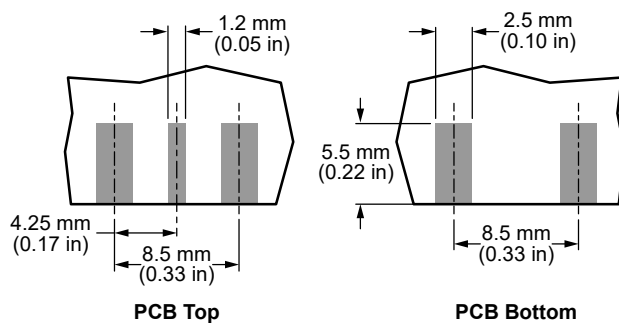


Figure 2. Recommended PCB Dimensions for the CONSMB003.062-G

## CONNECTOR PERFORMANCE

Table 3 shows insertion loss and VSWR values for the CONSMB003.062-G connector at commonly used frequencies.

Insertion loss is the loss of signal power (gain) resulting from the insertion of a device in a transmission line. VSWR describes how efficiently power is transmitted through the connector. A lower VSWR value indicates better performance at a given frequency.

**TABLE 3. INSERTION LOSS AND VSWR FOR THE CONSMB003.062-G CONNECTOR**

Band	Low-Band Cellular/ ISM/LPWA	GNSS	Midband Cellular	WiFi/ISM
Frequency Range	400 MHz to 960 MHz	1164 MHz to 1609 MHz	1427 MHz to 5000 MHz	2.4 GHz
Insertion Loss (dB max)	-0.12	-0.20	-0.45	-0.36
VSWR (max)	1.1	1.2	1.7	1.6

**TABLE 4. MECHANICAL SPECIFICATIONS**

Model	CONSMB003.062-G
Mounting Type	PCB Edge-Mount
Fastening Type	Snap-on Coupling
Interface in Accordance with	MIL-STD-348A
Connector Durability	500 cycles min.
Weight	1.4 g (0.05 oz)

**TABLE 5. ENVIRONMENTAL SPECIFICATIONS**

MIL-STD, Method, Test Condition	
Corrosion (Salt spray)	MIL-STD-202 Method 101 test condition B
Thermal Shock	MIL-STD-202 Method 107 test condition B
Vibration	MIL-STD-202 Method 204 test condition B
Mechanical Shock	MIL-STD-202 Method 213 test condition I
Temperature Range	-65 °C to +165 °C
Environmental Compliance	RoHS

## REFLOW SOLDER PROFILE

Figure 3 shows the time and temperature data for reflow soldering the connector to a PCB.

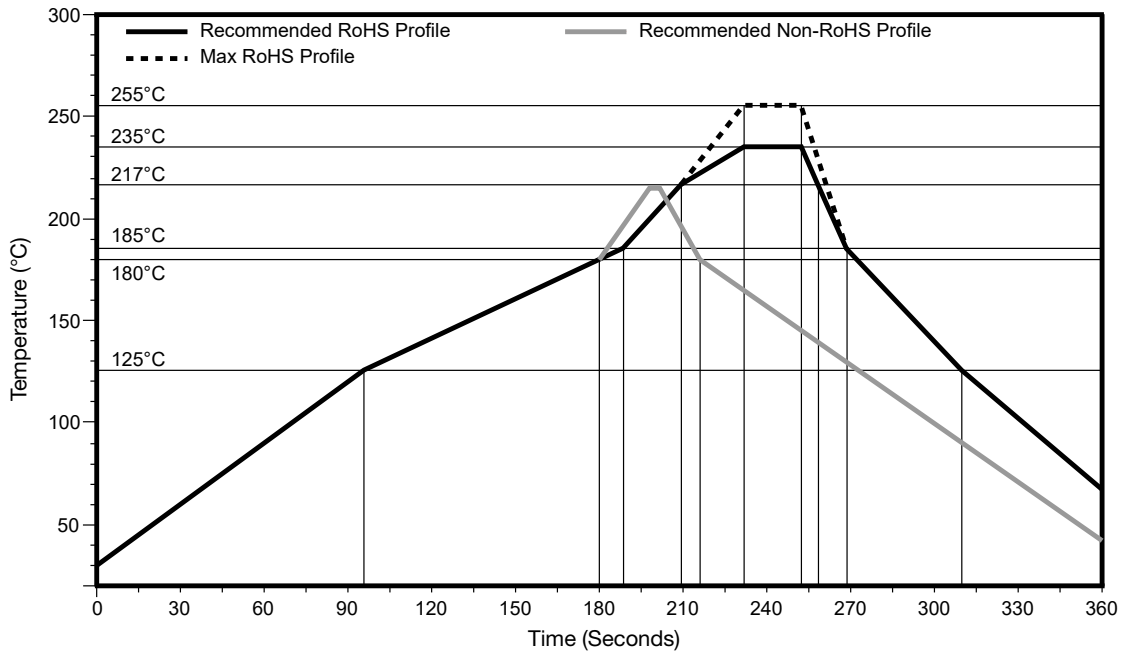


Figure 3. Recommended Reflow Solder Profile

## PACKAGING INFORMATION

The CONSMB003.062-G connector is placed in sealed trays of 100 pcs. Trays are packaged in cartons of 1700 pcs. Distribution channels may offer alternative packaging options.

---

## CONNECTOR & ADAPTER DEFINITIONS AND USEFUL FORMULAS

**VSWR** - Voltage Standing Wave Ratio. VSWR is a unitless ratio that describes how efficiently power is transmitted through the connector. A lower VSWR value indicates better performance at a given frequency. VSWR is easily derived from Return Loss.

$$VSWR = \frac{10^{\left[\frac{\text{Return Loss}}{20}\right]} + 1}{10^{\left[\frac{\text{Return Loss}}{20}\right]} - 1}$$

**Insertion Loss** - Insertion Loss - The loss of signal power (gain) resulting from the insertion of a device in a transmission line. Insertion loss can be derived from the power transmitted to the load before the insertion of the component  $P_T$  and the power transmitted to the load after the insertion of the component  $P_R$ .

$$\text{Insertion Loss (dB)} = 10 \log_{10} \frac{P_T}{P_R}$$

### TE TECHNICAL SUPPORT CENTER

USA:	+1 (800) 522-6752
Canada:	+1 (905) 475-6222
Mexico:	+52 (0) 55-1106-0800
Latin/S. America:	+54 (0) 11-4733-2200
Germany:	+49 (0) 6251-133-1999
UK:	+44 (0) 800-267666
France:	+33 (0) 1-3420-8686
Netherlands:	+31 (0) 73-6246-999
China:	+86 (0) 400-820-6015

### te.com

TE Connectivity, TE, TE connectivity (logo), Linx and Linx Technologies are trademarks owned or licensed by the TE Connectivity Ltd. family of companies. All other logos, products and/or company names referred to herein might be trademarks of their respective owners.

The information given herein, including drawings, illustrations and schematics which are intended for illustration purposes only, is believed to be reliable. However, TE Connectivity makes no warranties as to its accuracy or completeness and disclaims any liability in connection with its use. TE Connectivity's obligations shall only be as set forth in TE Connectivity's Standard Terms and Conditions of Sale for this product and in no case will TE Connectivity be liable for any incidental, indirect or consequential damages arising out of the sale, resale, use or misuse of the product. Users of TE Connectivity products should make their own evaluation to determine the suitability of each such product for the specific application.

TE Connectivity warrants to the original end user customer of its products that its products are free from defects in material and workmanship. Subject to conditions and limitations TE Connectivity will, at its option, either repair or replace any part of its products that prove defective because of improper workmanship or materials. This limited warranty is in force for the useful lifetime of the original end product into which the TE Connectivity product is installed. Useful lifetime of the original end product may vary but is not warranted to exceed one (1) year from the original date of the end product purchase.

©2022 TE Connectivity. All Rights Reserved.

11/22 Original