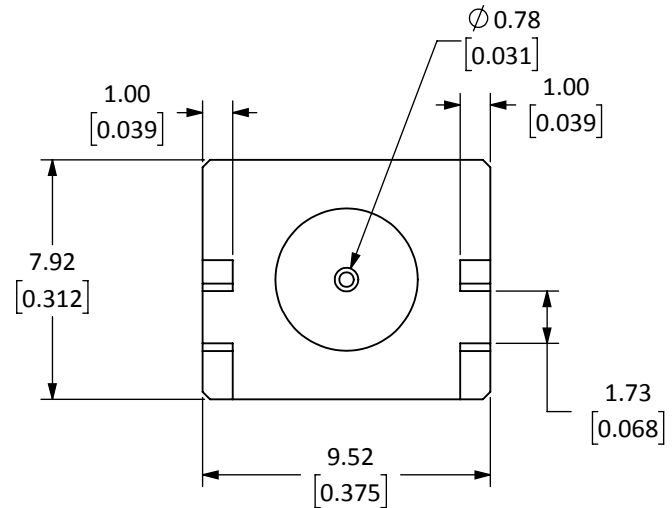
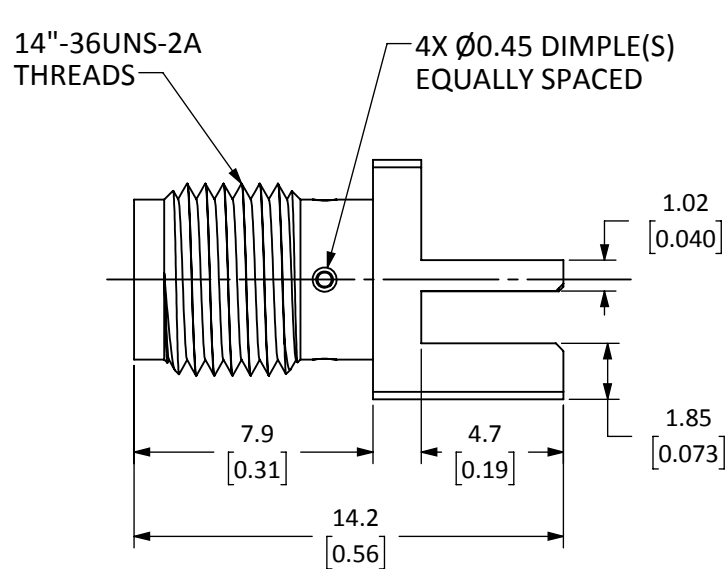


| | | |
|-------------------------------------|----------------|--------|
| Connector: SMA Jack (Female Socket) | | |
| Body Style | PCB Edge Mount | |
| Connector Part | Material | Finish |
| Body | Brass | Gold |
| Center Contact | BeCu | Gold |
| Insulator | PTFE | - |


| REVISIONS | | | |
|-----------|--|-----------|------|
| REV | DESCRIPTION | DATE | APPV |
| A | INITIAL RELEASE OF LINX INTERNAL DRAWING | 13-DEC-19 | SAH |



NOTES: (UNLESS OTHERWISE SPECIFIED)

1. ALL DIMENSIONS ARE IN MILLIMETERS [INCHES].
2. DIMENSIONS APPLY AFTER FINISHING.
3. MANUFACTURE TO BE COMPLIANT WITH EU RoHS DIRECTIVE, USE MATERIALS THAT DO NOT CONTAIN REACH SUBSTANCES OF VERY HIGH CONCERN >1000ppm, AND USE DRC CONFLICT-FREE SOURCED MATERIALS.
4. SAFETY BREAK ALL SHARP CORNERS AND EDGES 0.5 MAXIMUM.
5. SEE TABLE I FOR ELECTRICAL SPECIFICATIONS. (SHEET 2)
6. SEE TABLE II FOR ENVIRONMENTAL SPECIFICATIONS. (SHEET 2)
7. SEE TABLE III FOR MECHANICAL SPECIFICATIONS. (SHEET 2)

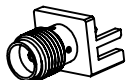
WARNING: THIS DRAWING CONTAINS PROPRIETARY INFORMATION THAT IS THE SOLE PROPERTY OF LINX TECHNOLOGIES, AND SHALL BE TREATED AS SUCH. NO DISCLOSURE OR REPRODUCTION OF THIS DOCUMENT IS PERMITTED, IN WHOLE OR IN PART, WITHOUT THE EXPRESS WRITTEN PERMISSION OF LINX TECHNOLOGIES OR ITS DESIGNATED AGENTS.

| | | |
|-----------|---|---|
| MATERIAL: | TOLERANCES (IN MILLIMETERS): .X ±0.2 .XX ±0.1 .XXX ±0.05 | PROJECTION:  ANGLES: ±5° |
| FINISH: | DRAWN: B.MURPHY ENGR: D.VARATHARAJAN | DT: 19-NOV-19 DT: 13-DEC-19 |



TITLE:
**SMA FEMALE EDGE MOUNT
FOR 0.062" BOARD, GOLD**

| | | |
|------------|-------------------------|--------------|
| SIZE | DWG. NO. | REV |
| A | CON SMA020.062-G | A |
| SCALE: 4:1 | DO NOT SCALE DRAWING | SHEET 1 OF 2 |



SCALE 1 : 1

5 TABLE I

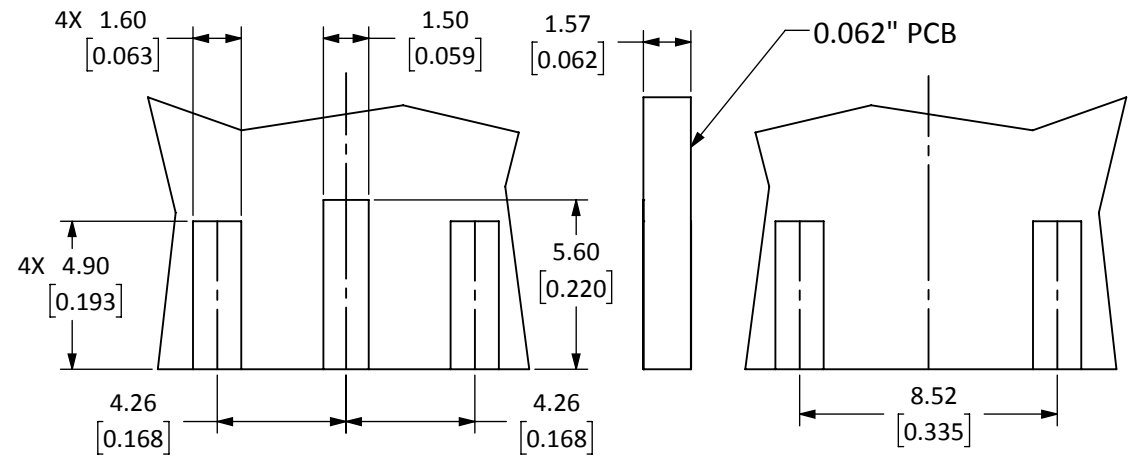
| Electrical Data | Detail |
|-----------------------|--|
| Impedance | 50 Ω |
| Frequency Range | 0 to 18 GHz |
| Insulation Resistance | 5000 M Ω Min |
| Voltage Rating | 500 V RMS |
| Contact Resistance | Center: 2 m Ω Max Outer: 2 m Ω Max |
| VSWR | 1.2 Max @ 6 GHz |

6 TABLE II

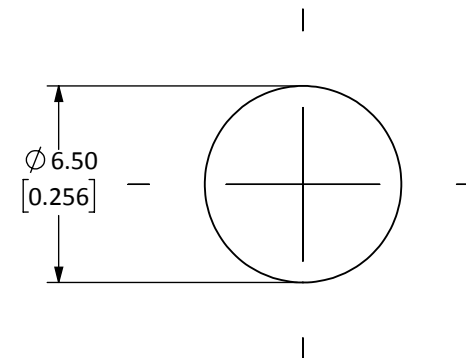
| Environmental Data | Detail |
|--------------------------|---|
| Corrosion (Salt Spray) | MIL-STD-202 Method 101 Test Condition B |
| Thermal Shock | MIL-STD-202 Method 107 Test Condition B |
| Vibration | MIL-STD-202 Method 204 Test Condition D |
| Mechanical Shock | MIL-STD-202 Method 213 Test Condition I |
| Temperature Range | -65°C to +165°C |
| Environmental Compliance | ROHS |

7 TABLE III

| Mechanical Data | Detail |
|------------------------|------------------------------|
| Mounting Type | Board Edge |
| Fastening Type | 1/4"-36UNS Threaded Coupling |
| Recommended Torque | 0.57 N.m (5 in.lbs) |
| Coupling Nut Retention | 60 lbs Min |
| Connector Durability | 500 Cycles Min |
| Weight | 1.95 g (0.07 oz) |



RECOMMENDED FOOTPRINT



RECOMMENDED MOUNTING HOLE

| SIZE | DWG. NO. | REV |
|------------|----------------------|--------------|
| A | CONSMA020.062-G | A |
| SCALE: 4:1 | DO NOT SCALE DRAWING | SHEET 2 OF 2 |