



Wire Protection & Management > Interconnect Devices > SolderSleeve Shield Terminators



Operating Temperature (Max): **200 °C**

Expanded Inside Diameter (Min): **2.67 mm [.105 in]**

Recovered Inside Diameter (Max): **.51 mm [.02 in]**

Pre-Installed Lead: **No**

Resistance Properties: **Immersion Protection**

## Features

### Configuration Features

Pre-Installed Lead	No
--------------------	----

### Dimensions

Expanded Inside Diameter (Min)	2.67 mm [.105 in]
Recovered Inside Diameter (Max)	.51 mm [.02 in]

### Usage Conditions

Operating Temperature (Max)	200 °C
Resistance Properties	Immersion Protection
Wire Temperature (Max)	150 °C

## Product Compliance

[For compliance documentation, visit the product page on TE.com>](#)

EU RoHS Directive 2011/65/EU	Compliant
EU ELV Directive 2000/53/EC	Compliant
China RoHS 2 Directive MIIT Order No 32, 2016	No Restricted Materials Above Threshold
EU REACH Regulation (EC) No. 1907/2006	Current ECHA Candidate List: JUNE 2024 (241) Candidate List Declared Against: JUNE 2024 (241) Does not contain REACH SVHC
Halogen Content	Low Bromine/Chlorine - Br and Cl < 900 ppm per homogenous material. Also BFR

/CFR/PVC Free

Solder Process Capability

Not applicable for solder process capability

Product Compliance Disclaimer

This information is provided based on reasonable inquiry of our suppliers and represents our current actual knowledge based on the information they provided. This information is subject to change. The part numbers that TE has identified as EU RoHS compliant have a maximum concentration of 0.1% by weight in homogenous materials for lead, hexavalent chromium, mercury, PBB, PBDE, DBP, BBP, DEHP, DIBP, and 0.01% for cadmium, or qualify for an exemption to these limits as defined in the Annexes of Directive 2011/65/EU (RoHS2). Finished electrical and electronic equipment products will be CE marked as required by Directive 2011/65/EU. Components may not be CE marked. Additionally, the part numbers that TE has identified as EU ELV compliant have a maximum concentration of 0.1% by weight in homogenous materials for lead, hexavalent chromium, and mercury, and 0.01% for cadmium, or qualify for an exemption to these limits as defined in the Annexes of Directive 2000/53/EC (ELV). Regarding the REACH Regulation, the information TE provides on SVHC in articles for this part number is based on the latest European Chemicals Agency (ECHA) 'Guidance on requirements for substances in articles' posted at this URL: <https://echa.europa.eu/guidance-documents/guidance-on-reach>

### Compatible Parts



TE Part # EG8162-000  
HL1920E-230V-EURO

### Also in the Series | RAYCHEM S200

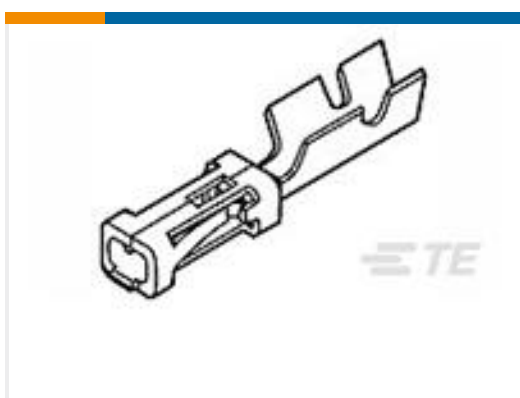


PCB Headers & Receptacles(2)



SolderSleeve Shield Terminators(11)

### Customers Also Bought



TE Part #86016-2  
MOD IV RECP LP



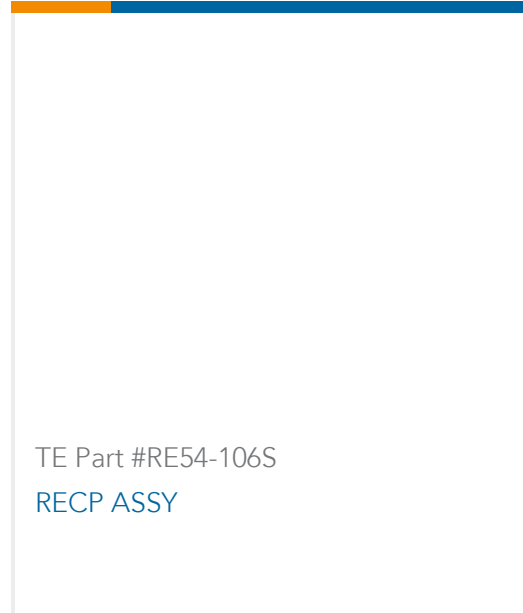
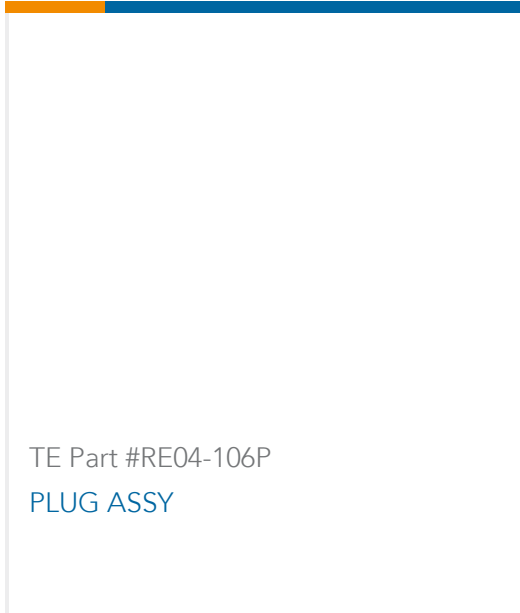
TE Part #CN5421-000  
S200-5-00-TC



TE Part #YDTS26F19-35PNV001  
PLUG ASSY



TE Part #38941-16  
CONTACTS



## Documents

### Product Drawings

[S200-1-00-TC](#)

English

### Datasheets & Catalog Pages

[Raychem S200 Shield Terminators](#)

English

### Product Specifications

[S200 SolderSleeve Shield Terminators](#)

English