



RAYCHEM

TE Internal #: CN1022-000

Splices, 14 – 12 AWG Wire Size, 1.92 – 2.94 mm² Wire Size,
 Sealable, Serrated, .085 in [2.16 mm] Barrel Inside Diameter, 3831 –
 5874 CMA Wire Size

[View on TE.com >](#)

Terminals & Splices > Splices



Wire Size: 1.92 – 2.94 mm²

Sealable: **Yes**

Splice Features: **Serrated**

Barrel Inside Diameter: 2.16 mm [.085 in]

Features

Product Type Features

Splice Accessory Type	Splice
Sealable	Yes
Wire Insulation Support Retention Type	Non-Insulation Support

Configuration Features

Number of Serrations	6
Compatible With Wire & Cable Type	Discrete Wire

Body Features

Insulation Material	Heat Shrink Radiation-Crosslinked Polyvinylidene Fluoride
Product Weight	1.91 g
Splice Features	Serrated

Contact Features

Contact Base Material	Copper Alloy
Barrel Type	Closed

Termination Features

Termination Method to Wire & Cable	Crimp
------------------------------------	-------

Dimensions

Wire Size	3831 – 5874 CMA
Barrel Inside Diameter	2.16 mm[.085 in]



Product Length	38.2 mm[1.52 in]
----------------	------------------

Usage Conditions

Fluid Resistance	Immersion
Insulation Option	Fully Insulated
Operating Temperature Range	-65 – 150 °C[-85 – 302 °F]

Industry Standards

Government Qualified Splice	Yes
-----------------------------	-----

Packaging Features

Packaging Quantity	100
Packaging Method	Bag/Box

Product Compliance

[For compliance documentation, visit the product page on TE.com>](#)

EU RoHS Directive 2011/65/EU	Compliant
EU ELV Directive 2000/53/EC	Compliant
China RoHS 2 Directive MIIT Order No 32, 2016	No Restricted Materials Above Threshold
EU REACH Regulation (EC) No. 1907/2006	Current ECHA Candidate List: JUNE 2024 (241) Candidate List Declared Against: JAN 2024 (240) Does not contain REACH SVHC
Halogen Content	Low Bromine/Chlorine - Br and Cl < 900 ppm per homogenous material. Also BFR /CFR/PVC Free
Solder Process Capability	Not applicable for solder process capability

Product Compliance Disclaimer

This information is provided based on reasonable inquiry of our suppliers and represents our current actual knowledge based on the information they provided. This information is subject to change. The part numbers that TE has identified as EU RoHS compliant have a maximum concentration of 0.1% by weight in homogenous materials for lead, hexavalent chromium, mercury, PBB, PBDE, DBP, BBP, DEHP, DIBP, and 0.01% for cadmium, or qualify for an exemption to these limits as defined in the Annexes of Directive 2011/65/EU (RoHS2). Finished electrical and electronic equipment products will be CE marked as required by Directive 2011/65/EU. Components may not be CE marked. Additionally, the part numbers that TE has identified as EU ELV compliant have a maximum concentration of 0.1% by weight in homogenous materials for lead, hexavalent chromium, and mercury, and 0.01% for cadmium, or qualify for an exemption to these limits as defined in the Annexes of Directive 2000/53/EC (ELV). Regarding the REACH Regulation, the information TE provides on SVHC in articles for this part number is based on the latest European Chemicals Agency (ECHA) 'Guidance on requirements for substances in articles' posted at this URL: <https://echa.europa.eu/guidance-documents/guidance-on-reach>

Compatible Parts

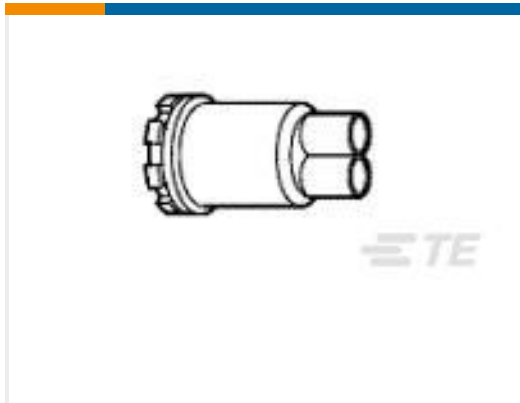


TE Part # EG8162-000
HL1920E-230V-EURO



TE Part # 992008-000
AD-1377-CRIMP-TOOL-3-CVTY

Customers Also Bought



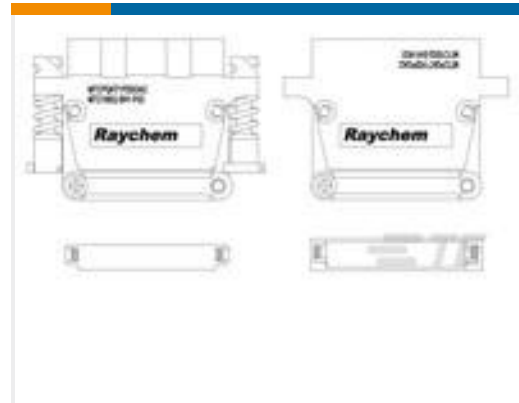
TE Part #450122-001
CES-3-D1



TE Part #C22084-000
MTCPOKT1P2PGAC



TE Part #ZPF000000000003648
724-8021-16



TE Part #F88806-000
MTCPOKT2R22SGAC



TE Part #65022-002
JUNCTION ASSY



TE Part #715325N001
SO63-3-9036-20CS2677



TE Part #F22831-000
MTCPOKT1R2PGCA

Documents

Datasheets & Catalog Pages

[1654025_Sec8_ColdAppliedSplices](#)

English

[1654025_Sec8_D-436](#)

English

[Harness Repair Products Quick Reference Guide](#)

English

Product Specifications

[Installation Procedure for In-Line Cold Applied Splice, Series D-436-3X-COLD](#)

English