



MODEL: CMT-1614-85T | **DESCRIPTION:** MAGNETIC BUZZER TRANSDUCER

FEATURES

- through hole
- SPL 85 dB
- magnetic
- externally driven

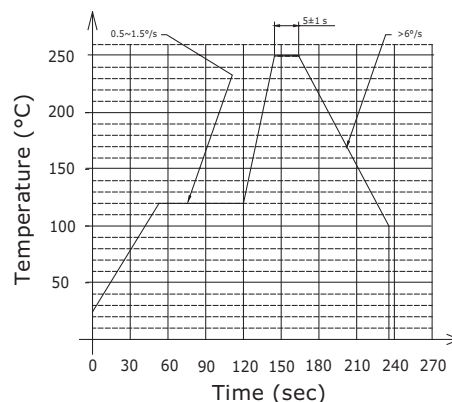

SPECIFICATIONS

| parameter | conditions/description | min | typ | max | units |
|-----------------------|---|-----|-------|------|--------------------|
| rated voltage |  | | 12.0 | | Vo-p |
| operating voltage |  | 9.0 | | 15.0 | Vo-p |
| current consumption | at rated voltage, 2,048 Hz, 1/2 duty square wave | | | 40 | mA |
| rated frequency | | | 2,048 | | Hz |
| sound pressure level | at 10 cm, rated voltage, 2,048 Hz, 1/2 duty square wave | 85 | | | dB |
| coil resistance | | 103 | 115 | 127 | Ω |
| dimensions | $\varnothing 16.0 \times 14.0$ | | | | mm |
| weight | | | 5.0 | | g |
| material | PPS (S-206) | | | | |
| terminal | pins (red copper with gold plating) | | | | |
| operating temperature | | -30 | | 70 | $^{\circ}\text{C}$ |
| storage temperature | | -40 | | 85 | $^{\circ}\text{C}$ |
| RoHS | yes | | | | |

Notes: 1. All specifications measured at $25 \pm 3^{\circ}\text{C}$, humidity at 60~70%, under 86~106 kPa pressure, unless otherwise noted.

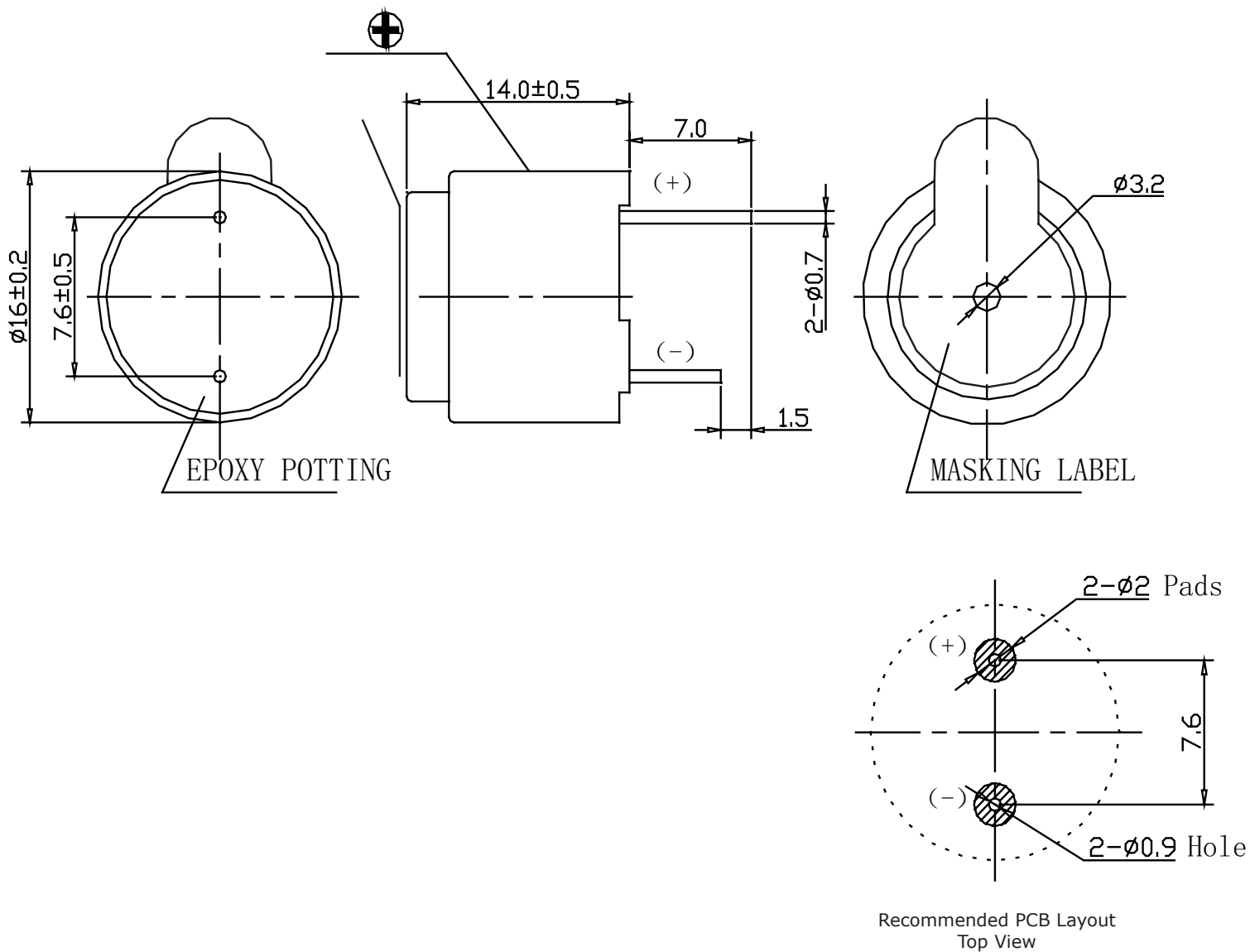
SOLDERABILITY

| parameter | conditions/description | min | typ | max | units |
|----------------|--|-----|-----|-----|--------------------|
| wave soldering | see recommended wave soldering profile | | | 250 | $^{\circ}\text{C}$ |

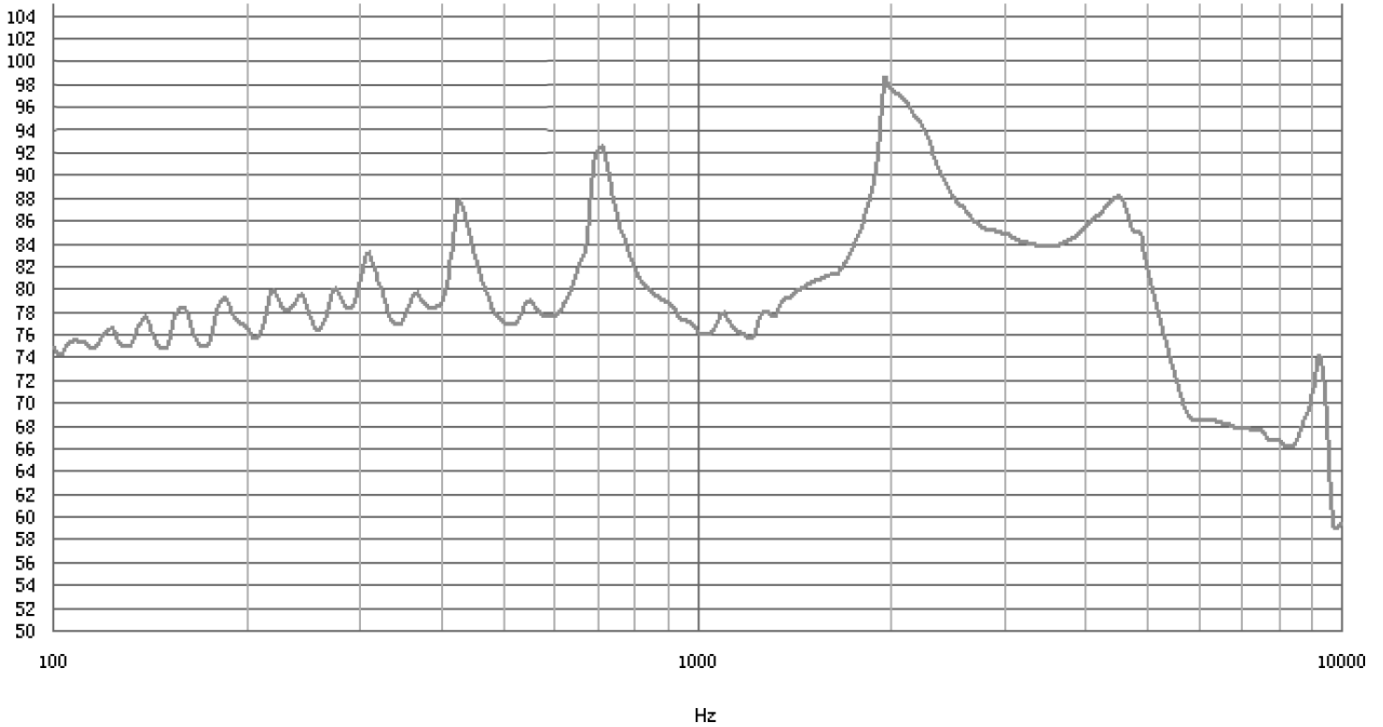


MECHANICAL DRAWING

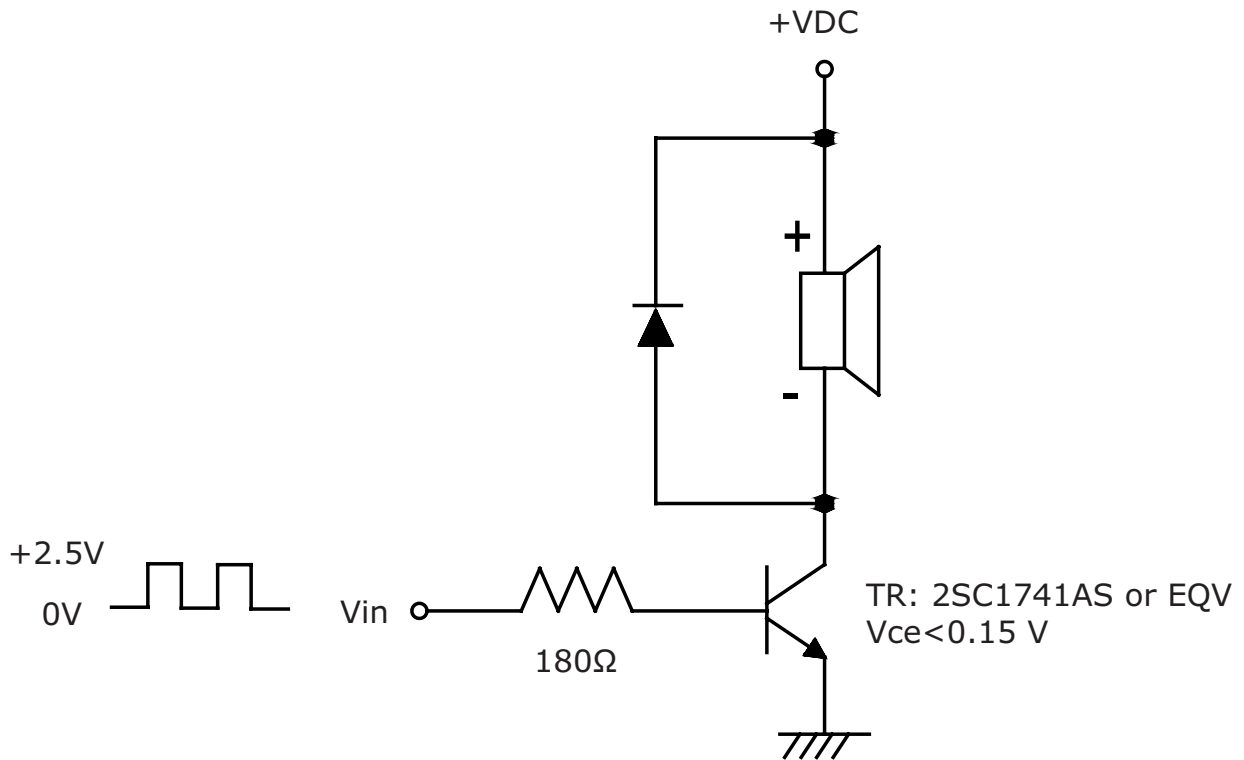
units: mm
tolerance: ± 0.5 mm



FREQUENCY RESPONSE CURVE



APPLICATION CIRCUIT

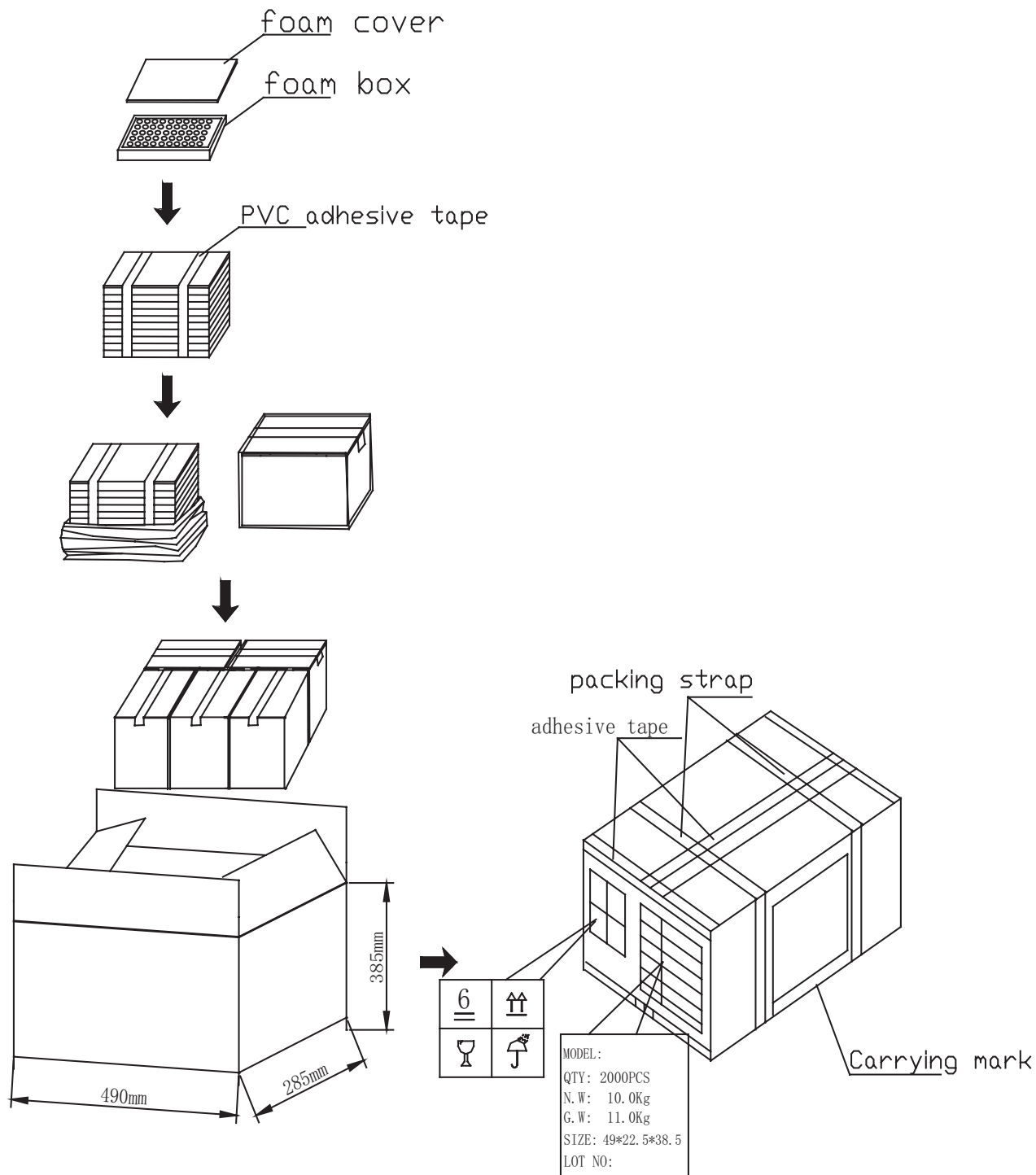


PACKAGING

units: mm

Carton Size: 490 x 285 x 385 mm

Carton QTY: 2,000 pcs per carton



REVISION HISTORY

| rev. | description | date |
|------|-----------------|------------|
| 1.0 | initial release | 07/17/2019 |

The revision history provided is for informational purposes only and is believed to be accurate.



CUI INC[®]

Headquarters
20050 SW 112th Ave.
Tualatin, OR 97062
800.275.4899

Fax 503.612.2383
cui.com
techsupport@cui.com

CUI offers a one (1) year limited warranty. Complete warranty information is listed on our website.

CUI reserves the right to make changes to the product at any time without notice. Information provided by CUI is believed to be accurate and reliable. However, no responsibility is assumed by CUI for its use, nor for any infringements of patents or other rights of third parties which may result from its use.

CUI products are not authorized or warranted for use as critical components in equipment that requires an extremely high level of reliability. A critical component is any component of a life support device or system whose failure to perform can be reasonably expected to cause the failure of the life support device or system, or to affect its safety or effectiveness.