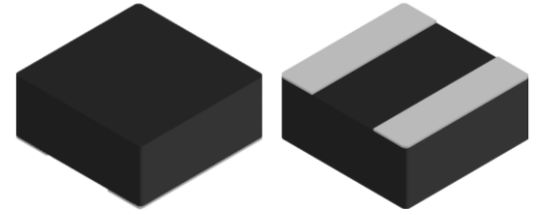


# CMI-CMMP7030HL-SERIES

## Features

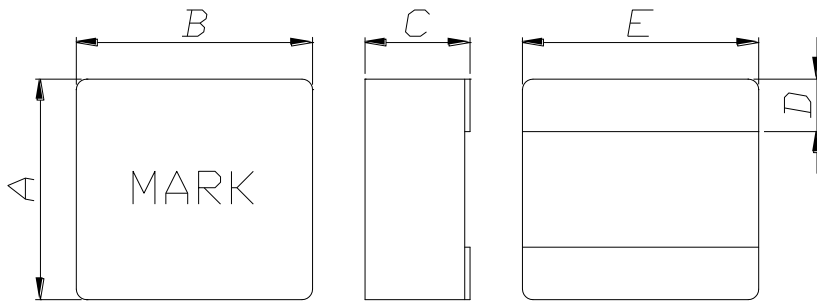
- ▶ High current and low profile
- ▶ Metal powder molding type for EMC protection.
- ▶ Available tape and reel for auto insertion.
- ▶ Halogen-Free / RoHS compliant.



## Applications

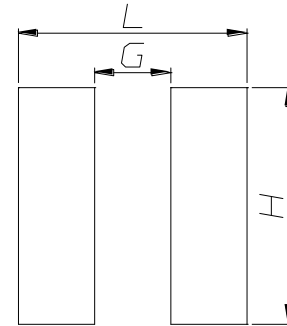
- ▶ For DC/DC converter, AV equipment digital consumer electronics

### Dimension (Unit:mm)



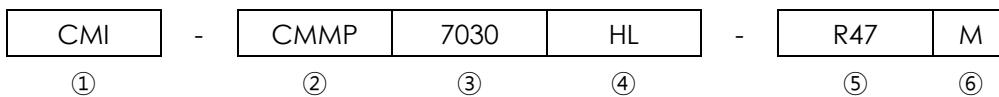
A	B	C	D	E
7.0±0.3	6.6±0.3	3.0 Max.	1.8±0.3	7.0±0.3

### Land Pattern (Unit:mm)



L	G	H
8.4	3.7	7.5

## Regulation of part number



- ① CoilMaster's initial
- ② Series Name : Car Magic Material Power inductor
- ③ Core Size (unit:mm)
- ④ Type
- ⑤ Typical inductance value (0.47uH)
- ⑥ Inductance tolerance (±20%)

## Specifications

Part Number	Inductance (uH) $\pm 20\%$	DCR(mohm) Max(Typ)	IDC1(A) Max(Typ)	IDC2(A) Max(Typ)	Test Frequency (Hz)
CMI-CMMP7030HL-R47M	0.47	5.4(4.5)	28.00(30.00)	16.20(18.00)	1M
CMI-CMMP7030HL-R68M	0.68	7.2(6.0)	22.00(24.00)	13.90(15.40)	1M
CMI-CMMP7030HL-1R0M	1.0	10.2(8.5)	17.00(19.00)	10.60(11.80)	1M
CMI-CMMP7030HL-1R5M	1.5	12.0(10.0)	15.50(17.50)	9.90(11.00)	1M
CMI-CMMP7030HL-2R2M	2.2	14.4(12.0)	12.50(13.50)	8.30(9.20)	1M
CMI-CMMP7030HL-3R3M	3.3	21.6(18.0)	10.50(11.50)	7.40(8.10)	1M
CMI-CMMP7030HL-4R7M	4.7	30.0(25.0)	9.00(10.00)	6.80(7.60)	1M
CMI-CMMP7030HL-5R6M	5.6	45.6(38.0)	8.00(9.00)	5.50(6.00)	1M
CMI-CMMP7030HL-6R8M	6.8	50.4(42.0)	7.50(8.50)	5.30(5.90)	1M
CMI-CMMP7030HL-8R2M	8.2	57.6(48.0)	6.50(7.50)	5.00(5.50)	1M
CMI-CMMP7030HL-100M	10	66.0(55.0)	6.00(6.50)	4.80(5.30)	1M
CMI-CMMP7030HL-150M	15	96.0(80.0)	5.00(5.50)	3.90(4.30)	1M
CMI-CMMP7030HL-220M	22	138(115)	4.10(4.60)	3.00(3.30)	1M

- Isat: When based on the inductance change rate (approximately 30% below in the initial value)
- Itemp: When based on the temperature increase (Temperature increase of approximately 40°C by self heating)
- Operating Temperature Range(including self temperature) : -40°C ~ +150 °c

Note 1 : Circuit design, component placement, PCB trace size and thickness, airflow and other cooling. Provision all affect the part Temperature. Part temperature should be verified in the end application.

▪ You can also contact us by e-mail : [coilmaster@coilmaster.com](mailto:coilmaster@coilmaster.com)

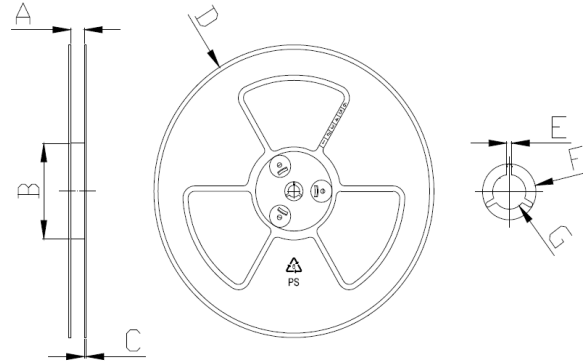
- All specifications are subject to change without notice.
- Update date : 2020.11.12

[www.coilmaster.com](http://www.coilmaster.com)

## Packaging

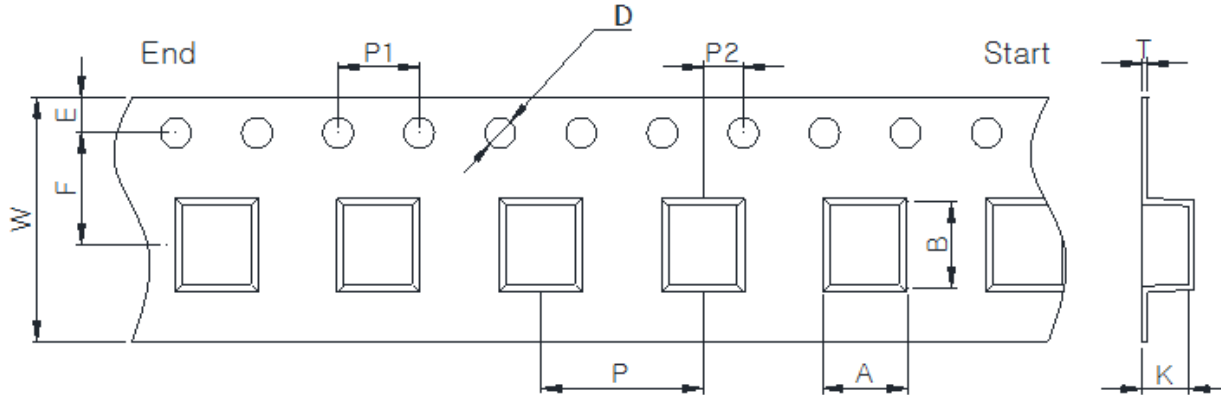
(1) Package quantity : 1,000 (pcs/reel)

(2) Reel Dimensions (unit:mm)



A	B	C	D	E	F	G
16.50	100.0	2.00	330.0	2.30	21.50	13.00
+0.50	+1.00	+0.10	+3.00	+0.30	+0.30	+0.50
-0.50	-1.00	-0.10	-3.00	-0.30	-0.30	-0.20

(3) Tape Dimensions



W	A	B	K	E	F	P	P1	P2	D	T
16.00	7.00	7.50	3.20	1.75	7.50	12.00	4.00	2.00	1.50	0.35
+0.30	+0.10	+0.10	+0.10	+0.10	+0.10	+0.10	+0.10	+0.10	+0.10	+0.05
-0.10	-0.10	-0.10	-0.10	-0.10	-0.10	-0.10	-0.10	-0.10	-0.00	-0.05

Ilisan Sales Office (KOREA) +82)31-904-1444  
 Shenzhen Sales Office (CHINA) +86)755-8663-6929  
 Hungary Sales office (EUROPE) +36)30-913-7706

H.K Sales Office (HONGKONG) +852)2711-5551  
 LA Sales Office (USA) +1)866-446-3586

• You can also contact us by e-mail : [coilmaster@coilmaster.com](mailto:coilmaster@coilmaster.com)

- All specifications are subject to change without notice.
- Update date : 2020.11.12

[www.coilmaster.com](http://www.coilmaster.com)