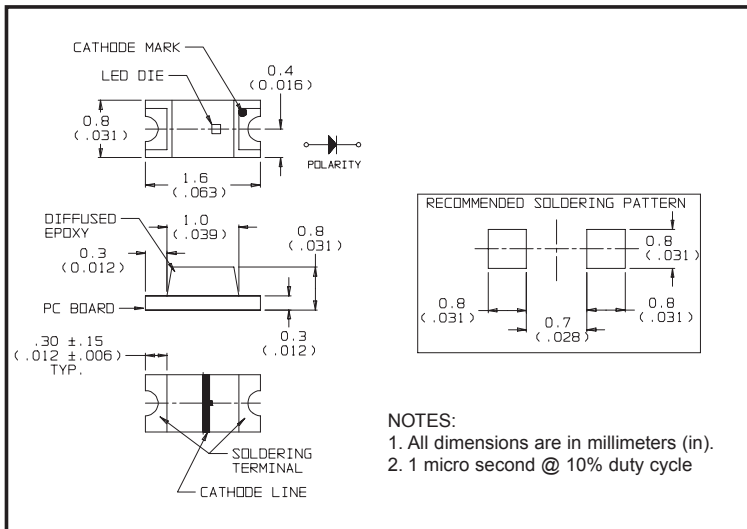


CMDA6 Series HIGH BRIGHTNESS 0603 Package Size Surface Mount LED Description and Features



Features

- High brightness
- Small size
- Industrial standard 0603 Footprint
- Diffused optics
- Top emitting
- Compatible with IR solder profiles
- Ideal for use with Light Pipes
- Available in 8 mm tape on 7" diameter reel
- Packaged 4,000 pieces per reel

Applications

- LCD backlighting
- Push button backlighting
- Front panel indicator
- Symbol indicator
- Microdisplays
- Small message panel signage

CAUTION: CMDA6AG and CMDA6CB are Class 1 ESD sensitive per MIL-STD-1686. Please observe appropriate precautions during handling and processing.

Electro-Optical Characteristics and Ratings

Part Number	Output Color	Diffusion	Package Color	Test Current (mA)	Forward Voltage Typ. (V)	Forward Voltage Max. Typ. (V)	Luminous Intensity Min. (mcd)	Luminous Intensity Typ. (mcd)	Peak Wavelength (nm)	Viewing Angle (Degrees)
CMDA6CB7D1S	Blue	Diffused	Clear	20	3.4	3.9	16	55	469	140
CMDA6AG7D1S	Green	Diffused	Clear	20	3.4	3.9	40	145	520	140
CMDA6BA7D1S	Orange	Diffused	Clear	20	1.9	2.4	25	90	609	170
CMDA6AR7D1S	Red	Diffused	Clear	20	1.9	2.4	25	90	637	170
CMDA6DY7D1S	Amber	Diffused	Clear	20	1.9	2.4	25	90	595	170

Absolute Maximum Ratings to = 25°C

Part Number	Power Dissipation (mW)	Operating Temperature (°C)	Storage Temperature (°C)	Peak Forward Current Max. (See note 2) (mA)	Reverse Voltage (IR = 100 mA) (V)	Lead Solder Time at 230°C (Seconds)
CB	98	-30 to +85	-40 to +85	50	5	10
AG	98	-30 to +85	-40 to +85	100	5	10
BA	75	-30 to +85	-40 to +85	100	5	10
AR	75	-30 to +85	-40 to +85	100	5	10
DY	75	-30 to +85	-40 to +85	50	5	10

The model numbers listed above are standard off the shelf parts. For the user who may have a requirement calling for various color/electrical specifications, a part number can be determined by calling the factory.