



Identification & Labeling > Printable Tags



Printable Tag Grade: **Military**

Operating Temperature Range: -55 – 135 °C [-67 – 275 °F]

Primary Product Color: **White**

Features

Product Type Features

Printable Tag Grade	Military
---------------------	----------

Body Features

Primary Product Color	White
-----------------------	-------

Mechanical Attachment

Number of Tie-Wrap Holes	6
--------------------------	---

Dimensions

Product Length	50.8 mm[2 in]
Product Height	12.7 mm[.5 in]

Usage Conditions

Operating Temperature Range	-55 – 135 °C[-67 – 275 °F]
-----------------------------	----------------------------

Printer/Label Features

Printer Technology	Dot Matrix
--------------------	------------

Packaging Features

Packaging Quantity	250
--------------------	-----

Product Compliance

[For compliance documentation, visit the product page on TE.com>](#)

EU RoHS Directive 2011/65/EU	Compliant
EU ELV Directive 2000/53/EC	Compliant
China RoHS 2 Directive MIIT Order No 32, 2016	No Restricted Materials Above Threshold
EU REACH Regulation (EC) No. 1907/2006	

Current ECHA Candidate List: JUNE 2024 (241)

Candidate List Declared Against: JUNE 2024 (241)

Does not contain REACH SVHC

Halogen Content

Not Low Halogen - contains Br or Cl > 900 ppm.

Solder Process Capability

Not applicable for solder process capability

Product Compliance Disclaimer

This information is provided based on reasonable inquiry of our suppliers and represents our current actual knowledge based on the information they provided. This information is subject to change. The part numbers that TE has identified as EU RoHS compliant have a maximum concentration of 0.1% by weight in homogenous materials for lead, hexavalent chromium, mercury, PBB, PBDE, DBP, BBP, DEHP, DIBP, and 0.01% for cadmium, or qualify for an exemption to these limits as defined in the Annexes of Directive 2011/65/EU (RoHS2). Finished electrical and electronic equipment products will be CE marked as required by Directive 2011/65/EU. Components may not be CE marked. Additionally, the part numbers that TE has identified as EU ELV compliant have a maximum concentration of 0.1% by weight in homogenous materials for lead, hexavalent chromium, and mercury, and 0.01% for cadmium, or qualify for an exemption to these limits as defined in the Annexes of Directive 2000/53/EC (ELV). Regarding the REACH Regulation, the information TE provides on SVHC in articles for this part number is based on the latest European Chemicals Agency (ECHA) 'Guidance on requirements for substances in articles' posted at this URL: <https://echa.europa.eu/guidance-documents/guidance-on-reach>

Compatible Parts



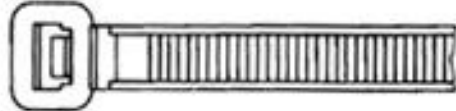
TE Part # 1-2186500-1
T3212-PRINTER



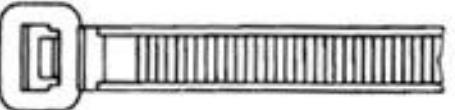
TE Part # 1-2186503-1
T3224-SWARE-PRINTER




TE Part # 4-160968-1
CABLE TY 134X2.6 NAT



TE Part # 4-160968-2
CABLE TY 134X2.6 BLACK



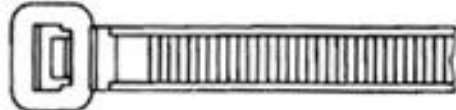
TE Part # 4-160971-2
CABLE TY 140X3.6 BLACK



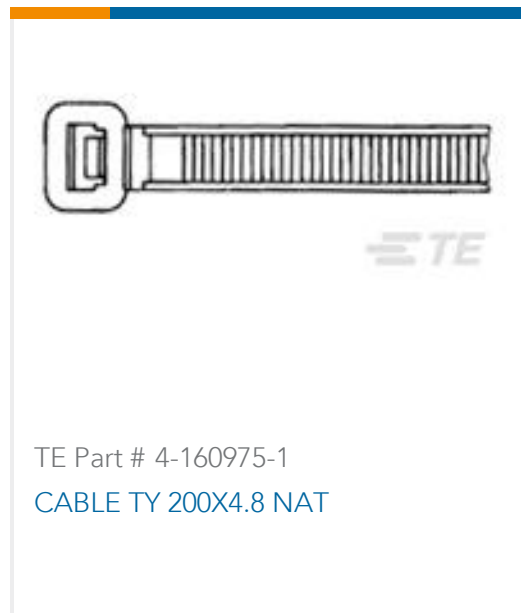
TE Part # 4-160975-2
CABLE TY 200X4.8 BLA



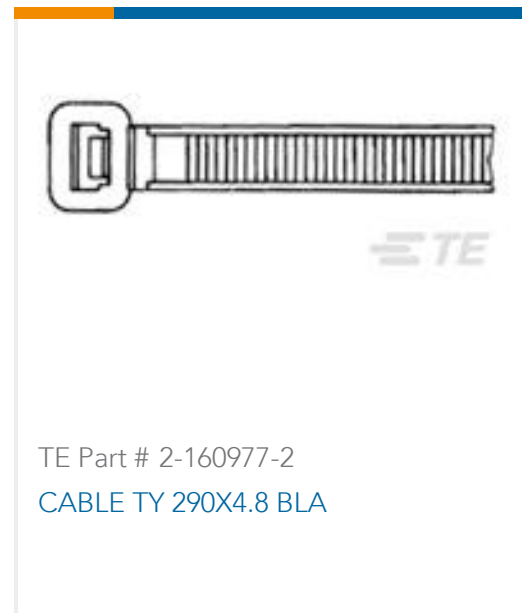
TE Part # 2-100715-1
CABLE TY 150X3,6NAT



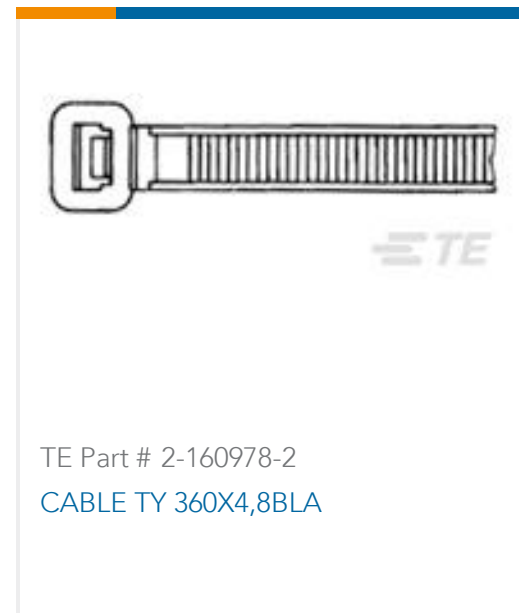
TE Part # 2-160975-1
CABLE TY 200X4.8 NAT



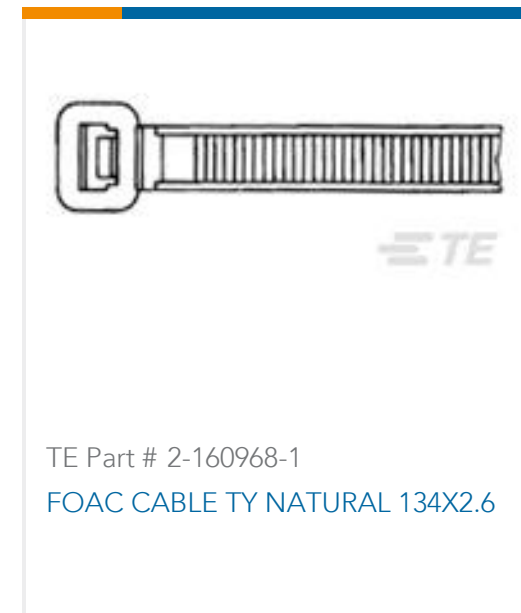
TE Part # 4-160975-1
CABLE TY 200X4.8 NAT



TE Part # 2-160977-2
CABLE TY 290X4.8 BLA



TE Part # 2-160978-2
CABLE TY 360X4,8BLA



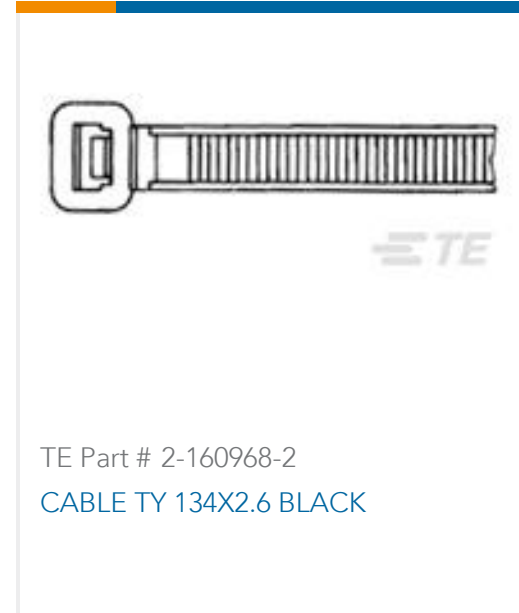
TE Part # 2-160968-1
FOAC CABLE TY NATURAL 134X2.6



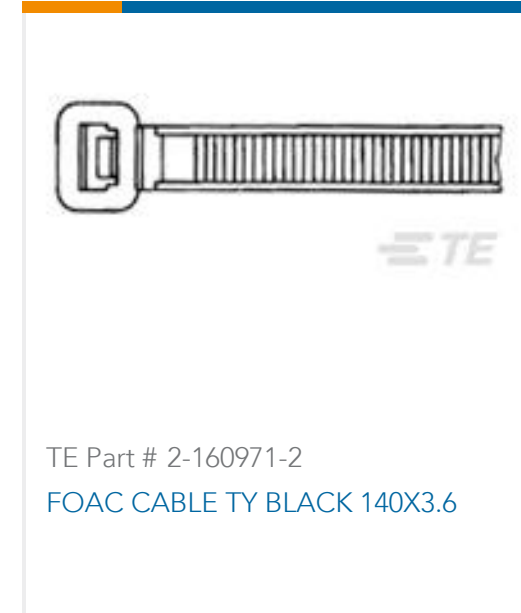
TE Part # 1-2186501-1
T3212-SWARE-PRINTER



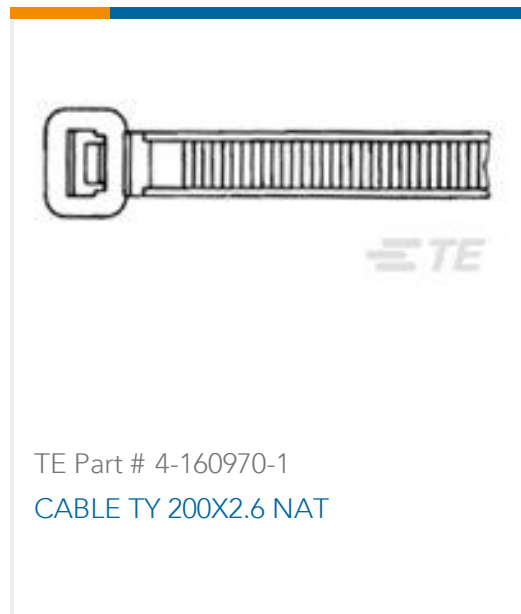
TE Part # 1-2186502-1
T3224-PRINTER



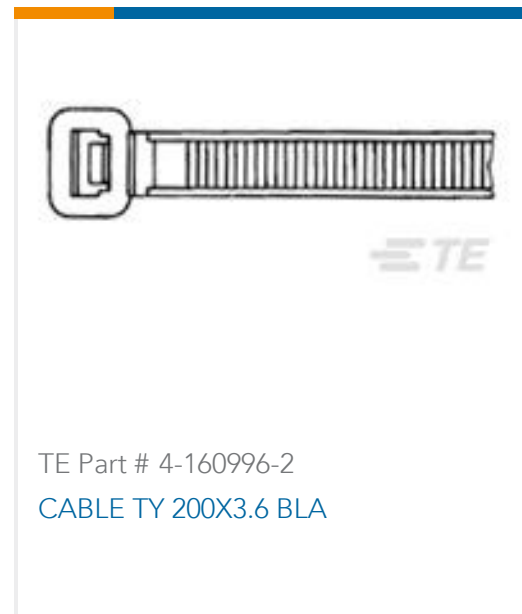
TE Part # 2-160968-2
CABLE TY 134X2.6 BLACK



TE Part # 2-160971-2
FOAC CABLE TY BLACK 140X3.6



TE Part # 4-160970-1
CABLE TY 200X2.6 NAT



TE Part # 4-160996-2
CABLE TY 200X3.6 BLA



TE Part # 2-160995-2
CABLE TY 430X4.8 BLA

Customers Also Bought




TE Part #0641-2-1631L
CONT PIN



TE Part #38941-20L
CONT PIN



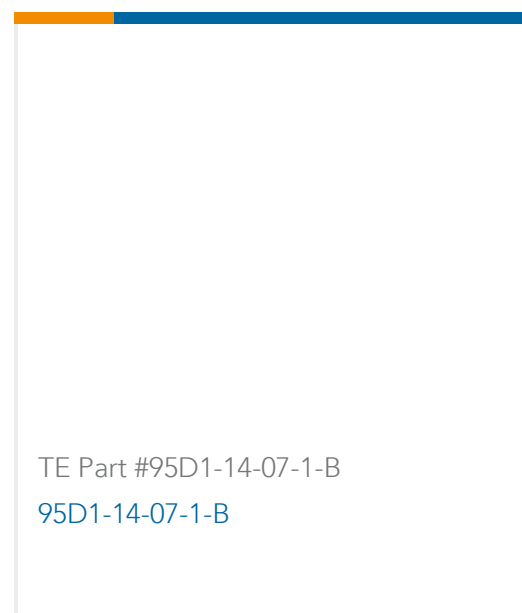
TE Part #36154
PIDG R 22-16 COMM 22-18 MIL 10



TE Part #218685-000
22759/34-22-3



TE Part #488267-000
CWT-11-W122-9



TE Part #95D1-14-07-1-B
95D1-14-07-1-B



TE Part #YDBC54H-1419PNV001
HERM RECP



TE Part #6485470001
CM-SCE-1/4-4H-9



Documents

Product Drawings

[CM-SCE-1/2-6H-9](#)

English

Datasheets & Catalog Pages

[CM-SCE Technical Datasheet](#)

English

Product Specifications

[CABLE MARKER INSTALLATION GUIDE](#)

English

[Product Specification](#)

English