

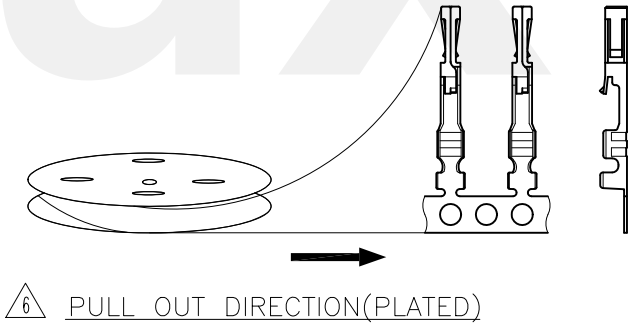
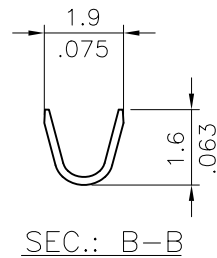
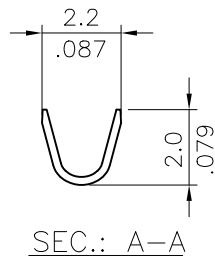
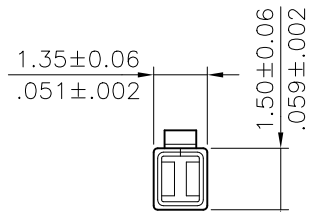
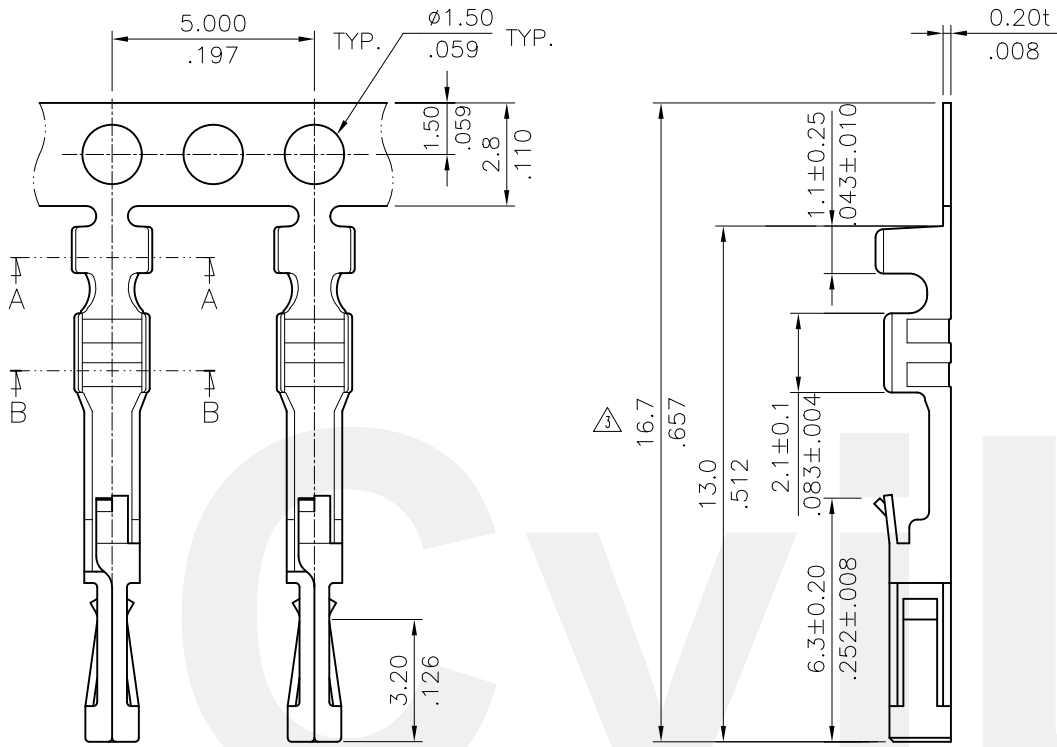
* Material: Phosphor Bronze

Wire Range	Insulation Diameter	Reel Q'ty
AWG #22~#28	1.70 (.067) MAX.	15,000 PCS.

Ordering Code

$\frac{CI33}{①}$
 $\frac{T02}{②}$
 $\frac{1}{③}$
 $\frac{P}{④}$
 $\frac{E}{⑤}$
 $\frac{0}{⑥}$

- ① Series No.
- ② Type: T02= AWG #22 ~ #28
- ③ Plating: 1= 2.03 μ m(80 μ ") Min. Tin over 0.76 μ m(30 μ ") Nickel
- ④ Material: P= Phosphor Bronze
- ⑤ Plating method: E= Pre-tinned
- ⑥ Option: 0= Standard



CIVILUX CORP
 2015.07.02
 ISSUED

RoHS Compliant

SYM	NAME	DATE	REVISIONS	APPROVED BY:	DATE	UNIT: mm / inch	TITLE:	 瀚荃股份有限公司 CviLux Corporation
⑥	Karen	6/13-15'	ECNT115140/ECRT115017			UNIT: mm / inch	CRIMP TERMINAL	
⑤	Enya	7/9-13'	ECR13071-0 / ECN13182-0	DRAWN BY:	Karen 6/22-15'	TOLERANCE UNLESS OTHERWISE SPECIFIED	MATERIAL:	
④	Karen	7/14-12'	ECN12164-0/ECR12024-0	ENGINEER:	Sun 6/23-15'	.X \pm 0.20/.008 X* \pm 1*	FINISH:	
③	Jim	1/29/07'	ECN07038 ECR07010-0	CHECKED BY:	Eisley 6/23-15'	.XX \pm 0.10/.004 .X* \pm	DRAWING NO. CI3304SK	PART NO. CI33T021PE0
②				APPROVED BY:	Eisley 6/23-15'	.XXX \pm 0.05/.002 .XX* \pm	SCALE 5 / 1	SHEET 1 OF 1