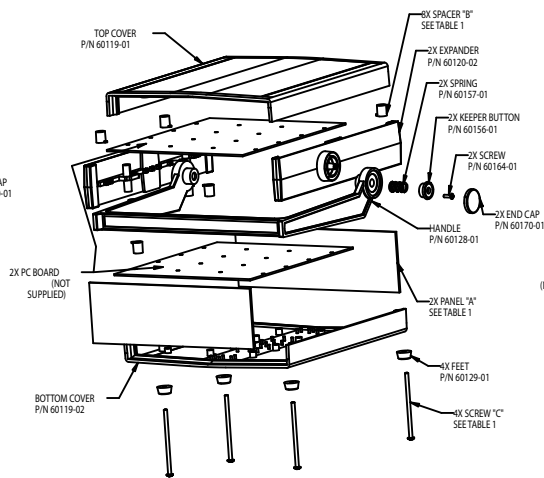
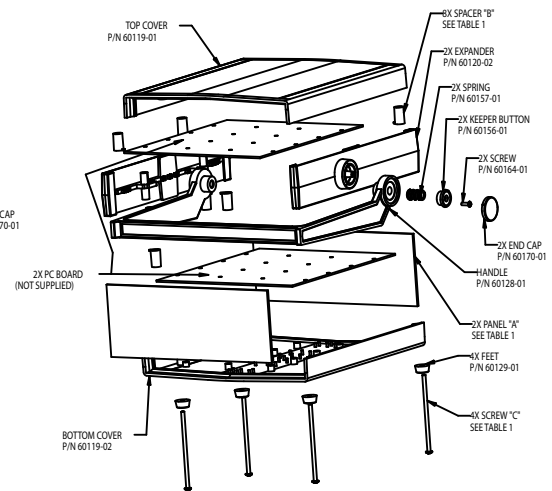


CH-200/CH-225



CH-250/CH-275



CH-300/CH-325

CH 325	60121-06	30130-05	60613-04	79478
CH 300	60121-05	30130-01	60613-04	79477
CH 275	60121-04	60130-03	60613-17	79476
CH 250	60121-03	60130-02	60613-17	60160
CH 225	60121-02	60130-04	60613-05	79475
CH 200	60121-01	60163-05	79474
HOUSING TYPE	PANEL "A"	SPACER "B"	SCREW "C"	USER DIAGRAM NOTE 2

TABLE 1

NOTE

1. THE CH23 KIT WILL BUILD ALL HOUSINGS LISTED IN TABLE 1.
2. FOR DETAILED DIAGRAM AND CIRCUIT BOARD SIZE SEE USER DIAGRAM LISTED IN TABLE 1.

PACNTEC[®]
1-610-361-4200

CH23 KIT
SEE NOTE 1

VISIT **PACNTEC**[®]
ON THE WORLD WIDE WEB
www.pactecenclosures.com

COLOR / MATERIAL CODE		
COLOR	94HB	94VO
BLACK	000	028
PC BONE	039	060

DRAWING NUMBER	REV
83892	A