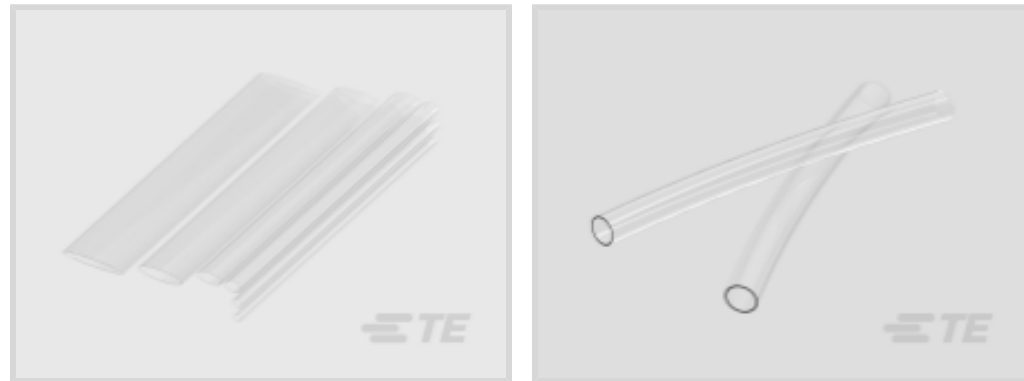




Heat Shrink Tubing > CGPT 3:1 Heat Shrink Tubing



Primary Product Color: **Clear**

Wall Type: **Single Wall**

Expanded Inside Diameter (Min): **24 mm [.945 in]**

Recovered Inside Diameter (Max): **8 mm [.315 in]**

Shrink Ratio: **3:1**

[All CGPT 3:1 Heat Shrink Tubing \(84\)](#)

Features

Product Type Features

Wall Type	Single Wall
-----------	-------------

Electrical Characteristics

Operating Voltage (Max)	.6 kV
-------------------------	-------

Body Features

Fluid Type	Gasoline, Hydraulic Fluid, Lubricating Oil
Primary Product Color	Clear
Shrink Ratio	3:1
Primary Product Material	Irradiated Modified Polyolefin
Flexibility	Flexible

Dimensions

Recovered Wall Thickness (Tolerance)	.2 mm[.008 in]
Recovered Wall Thickness (Nominal)	1 mm[.039 in]
Expanded Inside Diameter (Min)	24 mm[.945 in]
Recovered Inside Diameter (Max)	8 mm[.315 in]
Tubing Size Range	8 – 24 mm[.315 – .945 in]

Usage Conditions



Shrink Temperature (Min)	80 °C
Tubing Flammability Type	Non-Flame-Retardant
Operating Temperature Range	-40 – 135 °C
Recovery Temperature	120 °C

Operation/Application

Mechanical Resistance	Fluids, Mechanical Damage, Strain Relief
-----------------------	--

Product Availability

Applicable Region	Asia, EMEA
-------------------	------------

Packaging Features

Packaging Method	Box
------------------	-----

Other

Meets Low Outgassing Requirements	No
Product Source	Czech Republic

Product Compliance

[For compliance documentation, visit the product page on TE.com>](#)

EU RoHS Directive 2011/65/EU	Compliant
EU ELV Directive 2000/53/EC	Compliant
China RoHS 2 Directive MIIT Order No 32, 2016	No Restricted Materials Above Threshold
EU REACH Regulation (EC) No. 1907/2006	Current ECHA Candidate List: JUNE 2024 (241) Candidate List Declared Against: JUNE 2024 (241) Does not contain REACH SVHC
Halogen Content	Low Halogen - Br, Cl, F, I < 900 ppm per homogenous material. Also BFR/CFR/PVC Free
Solder Process Capability	Not applicable for solder process capability

Product Compliance Disclaimer

This information is provided based on reasonable inquiry of our suppliers and represents our current actual knowledge based on the information they provided. This information is subject to change. The part numbers that TE has identified as EU RoHS compliant have a maximum concentration of 0.1% by weight in homogenous materials for lead, hexavalent chromium, mercury, PBB, PBDE, DBP, BBP, DEHP, DIBP, and 0.01% for cadmium, or qualify for an exemption to these limits as defined in the Annexes of Directive 2011/65/EU (RoHS2). Finished electrical and electronic equipment products will be CE marked as required by Directive 2011/65/EU. Components may not be CE marked. Additionally, the part numbers that TE has identified as EU ELV compliant have a maximum concentration of 0.1% by weight in homogenous materials for lead, hexavalent chromium, and mercury, and 0.01% for cadmium, or qualify for an exemption to these limits as defined in the Annexes of Directive 2000/53/EC (ELV). Regarding the REACH Regulation, the information TE provides

on SVHC in articles for this part number is based on the latest European Chemicals Agency (ECHA) 'Guidance on requirements for substances in articles' posted at this URL: <https://echa.europa.eu/guidance-documents/guidance-on-reach>

Compatible Parts



TE Part # EG1114-000
CV1981-ST-230V1600W-EU

Also in the Series | RAYCHEM CGPT

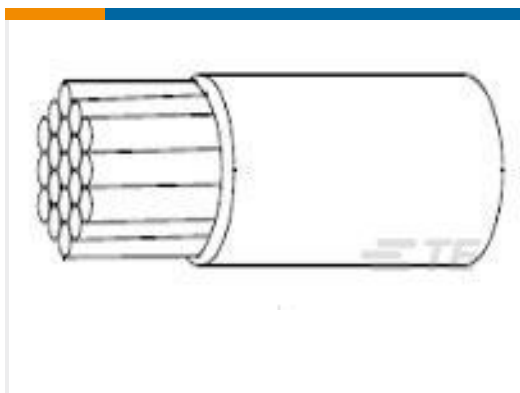


Heat Shrink Tubing(341)



Power Cable Tubing & Accessories(8)

Customers Also Bought



TE Part #216265-005
55A0111-26-4



TE Part #381522-000
MWTM-25/8-1000/S(S10)



TE Part #1-2112041-2
26POS, MIXED,TAB HSG,ASSY,
SEALED



TE Part #K1156317
Battery Disconnecter 35-525-260-R-A2



TE Part #K1145705
Push button switch TS-111-RT11



TE Part #637809-000
EPKJ-0249(S5)



TE Part #AS112-35SN-993W
RECEPT.CABLE COUP.TYPE 1



TE Part #AS216-35PN
RECEPT.BOX MNTG.TYPE 2



Documents

Product Drawings

[CGPT-24/8-X-SP](#)

English

Datasheets & Catalog Pages

[Measuring_Single_Wall_Tubing](#)

English

[Selecting_Correct_Tubing_1216](#)

English

[cgpt-tubing](#)

English

Product Specifications

[Application Specification](#)

English