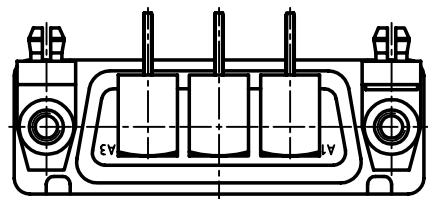
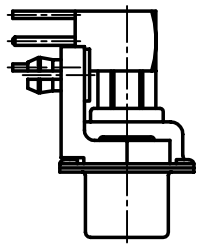
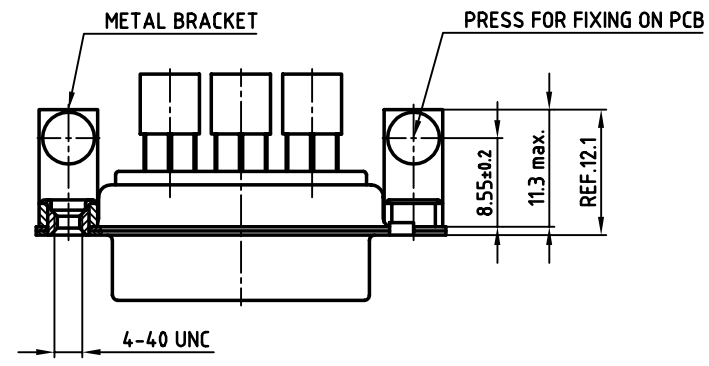
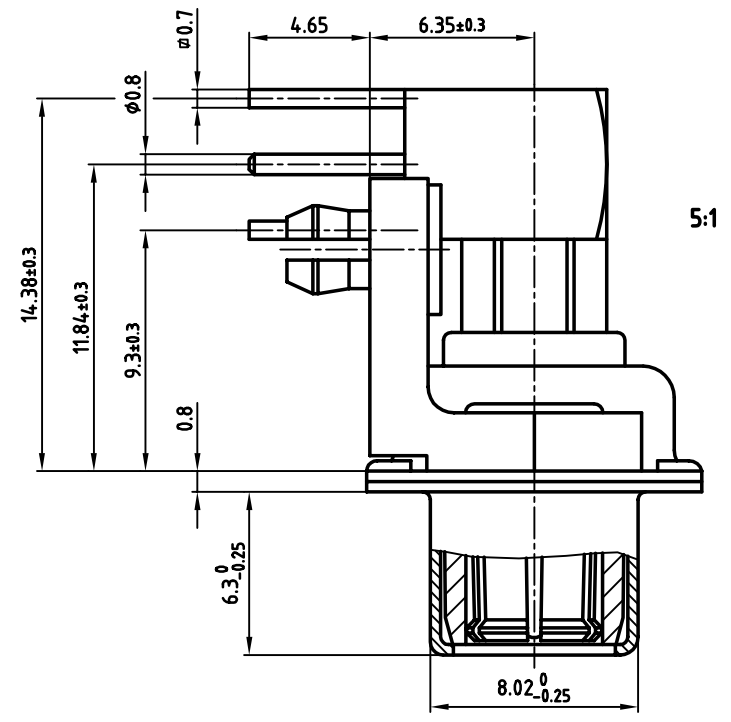
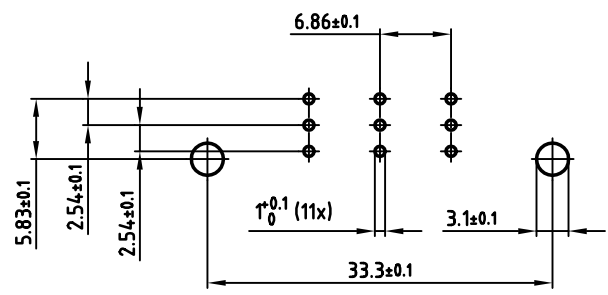
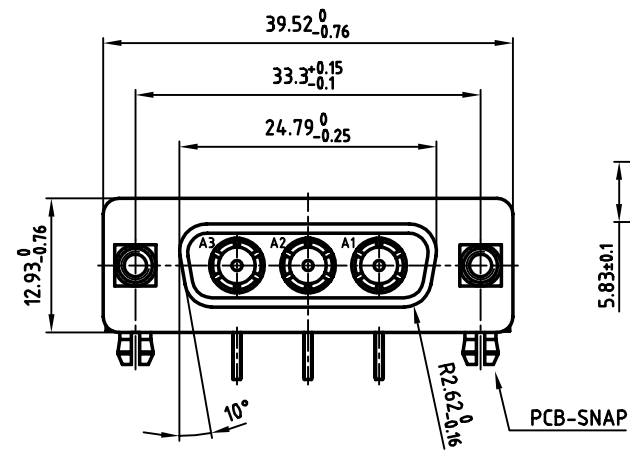


used for: D-SUB COMBINATION



NOTES:

- METALSHELLS: STEEL; TIN PLATED
- INSULATORS: PBTP/GF UL 94 V-0; GREEN
- COAXIAL CONTACTS: COPPER ALLOY
PLATING: INNER CONDUCTOR: MIN: 50µ" HARD GOLD OVER MIN. 50µ" NICKEL
OUTER CONDUCTOR: MIN. 30µ" HARD GOLD OVER MIN. 50µ" NICKEL
- IMPEDANCE COAXIAL CONTACT: 75 OHM
- PCB-SNAP: COPPER ALLOY; TIN PLATED
PCB-HOLE $\phi 3.1 \pm 0.1$, PCB THICKNESS 1.6mm
- BRACKETS: STEEL; TIN PLATED
- MAXIMUM TORQUE VALUE FOR THREAD: 6" LBS

THIS DRAWING MAY NOT BE COPIED OR REPRODUCED IN ANY WAY, AND MAY NOT BE PASSED ON TO A THIRD PARTY WITHOUT WRITTEN PERMISSION. OWNERSHIP AND COPYRIGHT OF CONEC GmbH DO NOT ALTER CAD DRAWING BY HAND	CONEC CORPORATION BRAMPTON, ONTARIO		tolerance				scale: 2:1 (5:1) material: SEE NOTES	
	1997	date	name		title: D-SUB COMBINATION FEMALE 90° 3W3S COAXIAL CONTACTS threaded insert, metal bracket and snap			
	drawn	07.08.	Barcinski		dwg no: CAD/ REL.13 DIN-A 3 sh: 1/1			
	appd.	07.08.	Mickenbecker		product no: CFM3W3S-K110			
	norm							
d-old				rev. description date name				