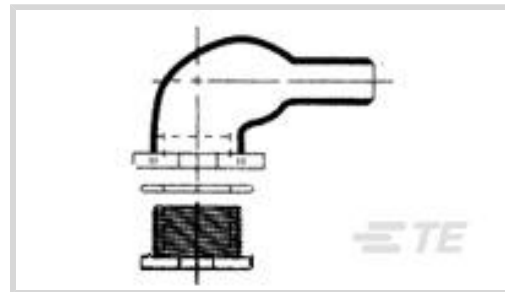




Wire Protection & Management > Heat Shrink Shapes > Cable Entry Seals



Seal Type: **O-Ring**

Primary Product Material: **Nylon, Polyolefin**

Number of Branches & Legs: **1**

Expanded Inside Diameter (Min): **14 mm [.55 in]**

Recovered Inside Diameter (Max): **7.1 mm [.28 in]**

Features

Configuration Features

Adhesive Requirement	Adhesive Precoat
Number of Branches & Legs	1

Body Features

Seal Type	O-Ring
Primary Product Material	Nylon, Polyolefin

Mechanical Attachment

Thread Size	1-12
-------------	------

Housing Features

Body Orientation	Right Angle
------------------	-------------

Dimensions

Overall Length (Supplied)	35.56 mm[1 in]
	1 in
Expanded Inside Diameter (Min)	14 mm[.55 in]
Recovered Inside Diameter (Max)	7.1 mm[.28 in]
Drill Size	1
Compatible Cable Diameter Range	7.36 – 10.92 mm[.29 – .43 in]

Usage Conditions

Flammability Performance	Flame-Retardant
--------------------------	-----------------



Product Compliance

[For compliance documentation, visit the product page on TE.com>](#)

EU RoHS Directive 2011/65/EU	Compliant
EU ELV Directive 2000/53/EC	Compliant
China RoHS 2 Directive MIIT Order No 32, 2016	No Restricted Materials Above Threshold
EU REACH Regulation (EC) No. 1907/2006	Current ECHA Candidate List: JUNE 2024 (241) Candidate List Declared Against: JUNE 2024 (241) Does not contain REACH SVHC
Halogen Content	Not Yet Reviewed for halogen content
Solder Process Capability	Not applicable for solder process capability

Product Compliance Disclaimer

This information is provided based on reasonable inquiry of our suppliers and represents our current actual knowledge based on the information they provided. This information is subject to change. The part numbers that TE has identified as EU RoHS compliant have a maximum concentration of 0.1% by weight in homogenous materials for lead, hexavalent chromium, mercury, PBB, PBDE, DBP, BBP, DEHP, DIBP, and 0.01% for cadmium, or qualify for an exemption to these limits as defined in the Annexes of Directive 2011/65/EU (RoHS2). Finished electrical and electronic equipment products will be CE marked as required by Directive 2011/65/EU. Components may not be CE marked. Additionally, the part numbers that TE has identified as EU ELV compliant have a maximum concentration of 0.1% by weight in homogenous materials for lead, hexavalent chromium, and mercury, and 0.01% for cadmium, or qualify for an exemption to these limits as defined in the Annexes of Directive 2000/53/EC (ELV). Regarding the REACH Regulation, the information TE provides on SVHC in articles for this part number is based on the latest European Chemicals Agency (ECHA) 'Guidance on requirements for substances in articles' posted at this URL: <https://echa.europa.eu/guidance-documents/guidance-on-reach>

Also in the Series | RAYCHEM CES



Cable Entry Seals(19)



Cable Transitions & Breakouts(2)

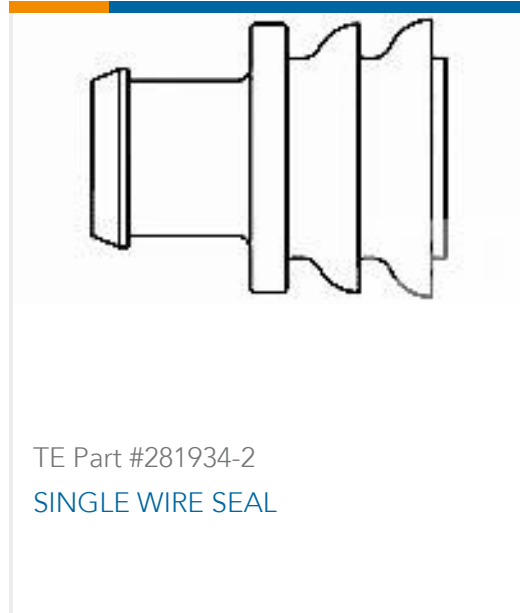


Feedthroughs(3)



Heat Shrink Boots(1)

Customers Also Bought



Documents

Product Drawings

[CES-1R](#)

English

Datasheets & Catalog Pages

[Raychem Molded Parts Visual Guide](#)

English

Product Specifications

[Product Specification](#)

English

[Raychem S1297 and /97 Hot Melt Adhesive](#)

English