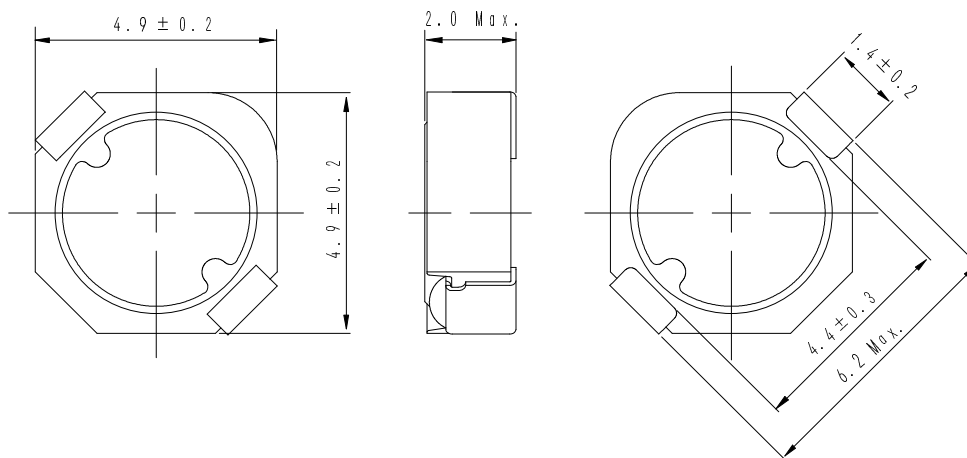
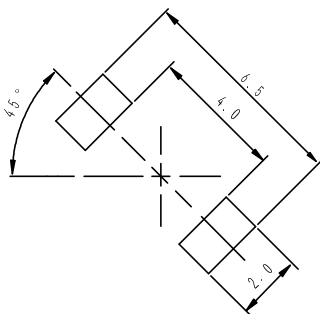


Type: CDRH4D18C , CDRH4D18C/LD
◆ Product Description

- 5.1×5.1 mm Max.(L×W), 2.0mm Max. Height.
- Inductance range: 1.1~100 μ H.
- Rated current range: 0.25~2.4A(CDRH4D18C);
0.2~2.1A (CDRH4D18C /LD);
- Custom design is available.


◆ Feature

- Magnetically shielded construction.
- Ideally used in Mobile phone,PDA,MP3,HDD,DSC/DVC,Note book PC,etc as DC-DC converter inductors.
- Qualification to AEC-Q200.
- RoHS Compliance and Halogen free.

◆ Dimensions (mm)

◆ Land Pattern (mm)


Type: CDRH4D18C , CDRH4D18C/LD
◆ Specification (CDRH4D18C)

Part No. ※	Stamp	Inductance (μ H) (100kHz/1V)	D.C.R.(Ω) Max.(Typ.) (at 20°C)	Rated Current (A) ※1-1
CDRH4D18CNP-1R1P□	A	1.1 \pm 25%	29m(23m)	2.4
CDRH4D18CNP-2R2P□	B	2.2 \pm 25%	39m(31m)	1.7
CDRH4D18CNP-3R0P□	C	3.0 \pm 25%	61m(49m)	1.5
CDRH4D18CNP-4R7P□	D	4.7 \pm 25%	110m(88m)	1.15
CDRH4D18CNP-6R8P□	E	6.8 \pm 25%	125m(100m)	1.05
CDRH4D18CNP-100P□	F	10 \pm 25%	156m(125m)	830m
CDRH4D18CNP-150P□	G	15 \pm 25%	194m(155m)	700m
CDRH4D18CNP-220P□	H	22 \pm 25%	323m(258m)	600m
CDRH4D18CNP-330P□	I	33 \pm 25%	550m(440m)	460m
CDRH4D18CNP-470P□	J	47 \pm 25%	783m(626m)	410m
CDRH4D18CNP-680P□	K	68 \pm 25%	1.16(925m)	305m
CDRH4D18CNP-101P□	L	100 \pm 25%	1.51(1.21)	250m

◆ Specification (CDRH4D18C/LD)

Part No. ※	Stamp	Inductance (μ H) (100kHz/1V)	D.C.R.(m Ω) Max.(Typ.) (20°C)	Saturation Current (A) ※1-2	Temperature Rise Current (A) ※2
CDRH4D18CLDNP-1R1P□	A	1.1 \pm 25%	24(19)	2.10	3.50
CDRH4D18CLDNP-2R2P□	B	2.2 \pm 25%	31(25)	1.30	2.80
CDRH4D18CLDNP-3R3P□	C	3.3 \pm 25%	49(39)	1.10	2.20
CDRH4D18CLDNP-4R7P□	D	4.7 \pm 25%	61(49)	0.90	2.00
CDRH4D18CLDNP-6R3P□	E	6.3 \pm 25%	74(59)	0.75	1.60
CDRH4D18CLDNP-100P□	F	10 \pm 25%	110(88)	0.60	1.20
CDRH4D18CLDNP-150P□	G	15 \pm 25%	151(121)	0.50	1.05
CDRH4D18CLDNP-220P□	H	22 \pm 25%	202(162)	0.42	0.90
CDRH4D18CLDNP-330P□	I	33 \pm 25%	327(262)	0.35	0.69
CDRH4D18CLDNP-470P□	J	47 \pm 25%	456(365)	0.31	0.57
CDRH4D18CLDNP-680P□	K	68 \pm 25%	632(506)	0.26	0.46
CDRH4D18CLDNP-101P□	L	100 \pm 25%	962(770)	0.20	0.35

Type: CDRH4D18C , CDRH4D18C/LD
※ Description of part name

CDRH4D18CLDNP-1R1P□

— B Box
 — C Carrier Tape

※1-1. Rated current: The DC current at which the inductance decreases to 65% of its nominal value or when $\Delta t=40^{\circ}\text{C}$, whichever is lower($T_a=20^{\circ}\text{C}$).

※1-2. Saturation Current: The DC current at which the inductance decreases to 65% of its nominal value.

※2. Temperature rise current: The DC current at which the temperature rise is $\Delta t=40^{\circ}\text{C}$.($T_a=20^{\circ}\text{C}$)