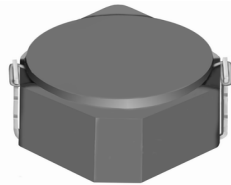


# SMD Power Inductor CDRH3D23/HP



Halogen Free



## Description

- Ferrite drum core construction.
- Magnetically shielded.
- L × W × H: 3.92 × 3.92 × 2.5 mm Max.
- Product weight: 112mg(Ref.)
- Moisture Sensitivity Level: 1
- RoHS compliance.
- Halogen Free available.

## Environmental Data

- Operating temperature range: -40°C~+105°C (including coil's self temperature rise)
- Storage temperature range: -40°C~+105°C
- Solder reflow temperature: 260 °C peak.

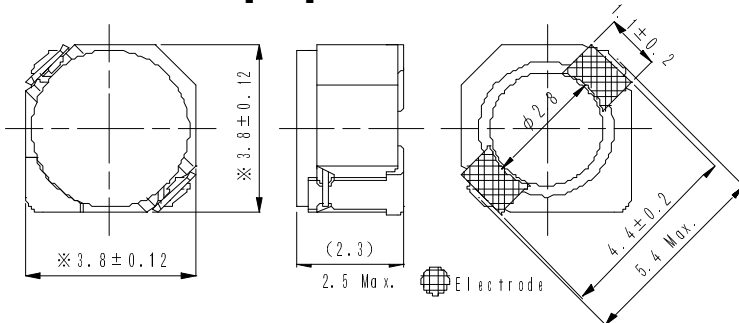
## Packaging

- Carrier tape and reel packaging
- 7.0" diameter reel
- 500pcs per reel

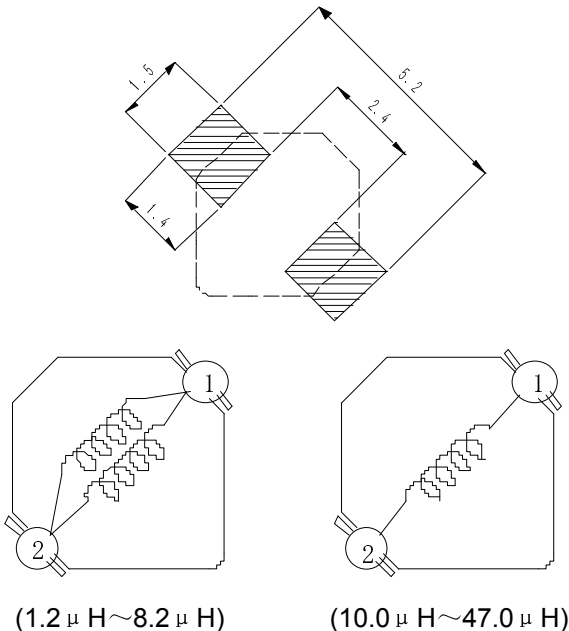
## Applications

- Ideally used in Mobilephone, PDA, MP3, DSC/DVC, etc. as DC-DC converter inductors.

## Dimension - [mm]



## Land pattern and Schematics - [mm]



# SMD Power Inductor CDRH3D23/HP



## Electrical Characteristics

Part Name	Stamp	Inductance ( $\mu$ H) [within] ※1	D.C.R (m $\Omega$ ) Max. (Typ.) (at 20°C)	Saturation Current (A) ※2		Temperature Rise Current (A) ※3
				at 20°C	at 105°C	
CDRH3D23HPNP-1R2PC	<u>B</u>	1.2 $\pm$ 25%	40.4(32.3)	3.52	3.00	2.55
CDRH3D23HPNP-2R2PC	<u>E</u>	2.2 $\pm$ 25%	50.3(40.2)	2.6	2.24	2.25
CDRH3D23HPNP-2R7PC	<u>F</u>	2.7 $\pm$ 25%	62.3(49.8)	2.4	2.08	2.0
CDRH3D23HPNP-3R3PC	<u>G</u>	3.3 $\pm$ 25%	70.0(56.0)	2.2	1.9	1.85
CDRH3D23HPNP-4R7PC	<u>J</u>	4.7 $\pm$ 25%	95.5(76.4)	1.84	1.57	1.60
CDRH3D23HPNP-5R6PC	<u>K</u>	5.6 $\pm$ 25%	102(81.2)	1.66	1.44	1.50
CDRH3D23HPNP-6R8PC	<u>L</u>	6.8 $\pm$ 25%	136(109)	1.52	1.30	1.30
CDRH3D23HPNP-8R2PC	<u>N</u>	8.2 $\pm$ 25%	145(116)	1.36	1.18	1.25
CDRH3D23HPNP-100MC	A	10 $\pm$ 20%	198(158)	1.28	1.08	1.02
CDRH3D23HPNP-120MC	B	12 $\pm$ 20%	249(199)	1.14	0.97	0.95
CDRH3D23HPNP-150MC	C	15 $\pm$ 20%	276(221)	1.02	0.88	0.90
CDRH3D23HPNP-220MC	E	22 $\pm$ 20%	383(306)	0.80	0.65	0.70
CDRH3D23HPNP-330MC	G	33 $\pm$ 20%	555(444)	0.68	0.58	0.58
CDRH3D23HPNP-470MC	J	47 $\pm$ 20%	798(638)	0.56	0.48	0.45

※1. Inductance measuring condition: at 100kHz.

※2. Saturation current: The value of D.C. current when the inductance decreases to 70% of it's nominal value.

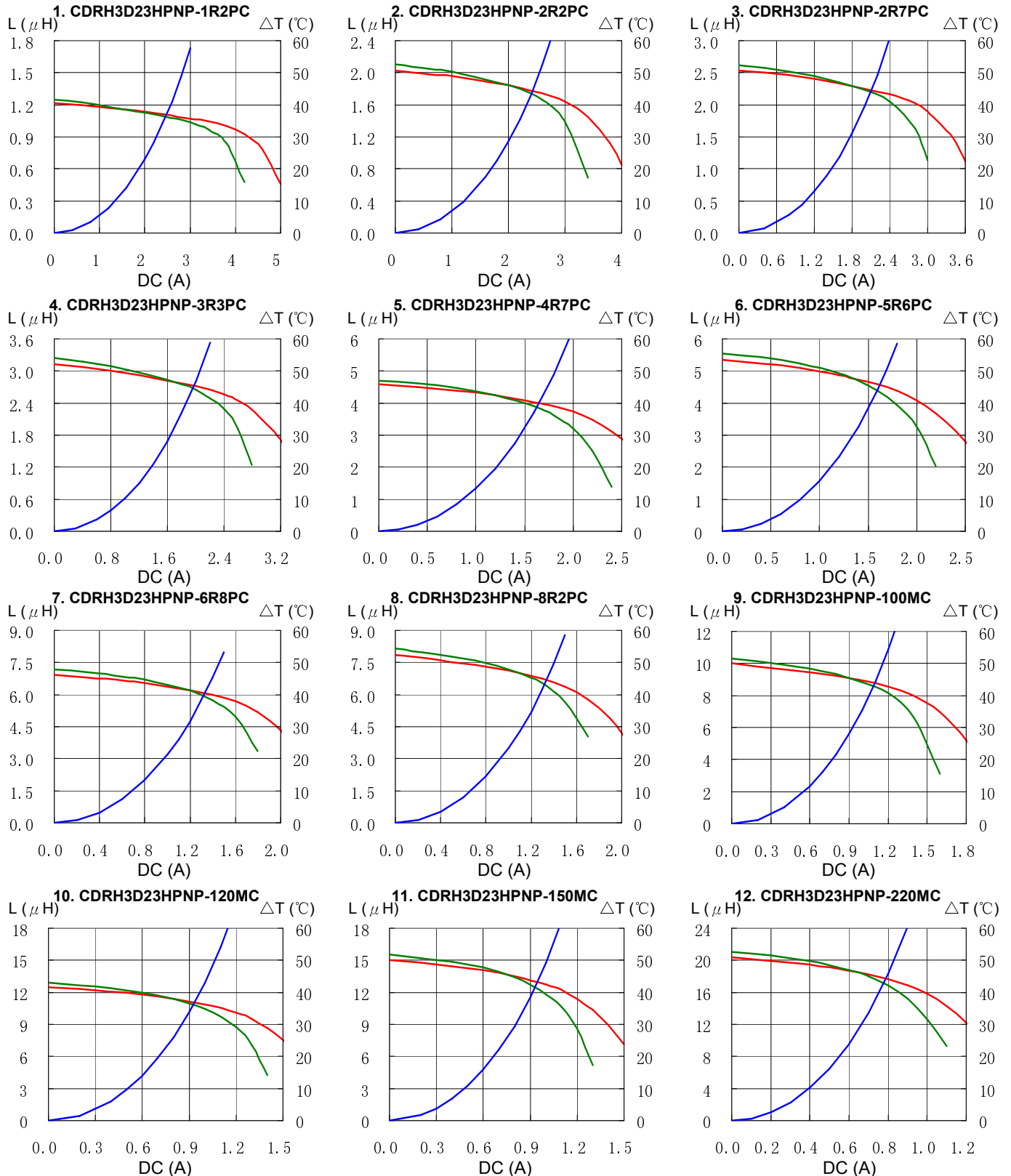
※3. Temperature rise current: The value of D.C. current when the temperature rise is  $\Delta t=40^{\circ}\text{C}$  ( $T_a=20^{\circ}\text{C}$ ).

# SMD Power Inductor CDRH3D23/HP



## Saturation Current & Temperature Rise Graph

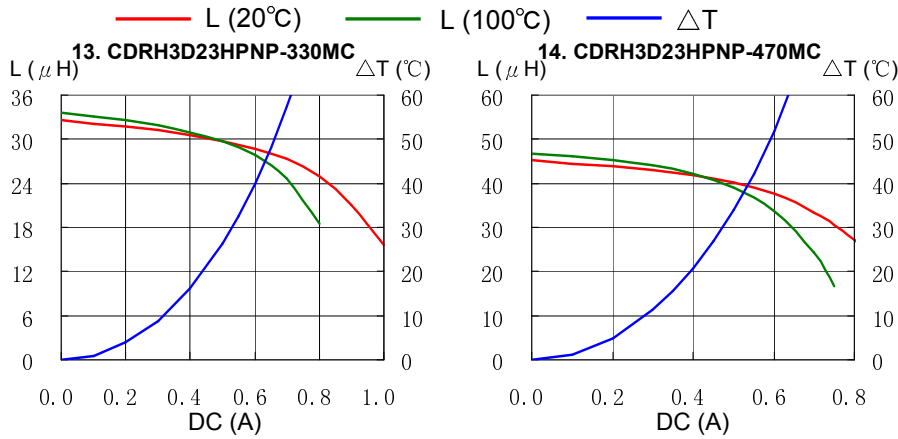
— L (20°C) — L (100°C) —  $\Delta T$



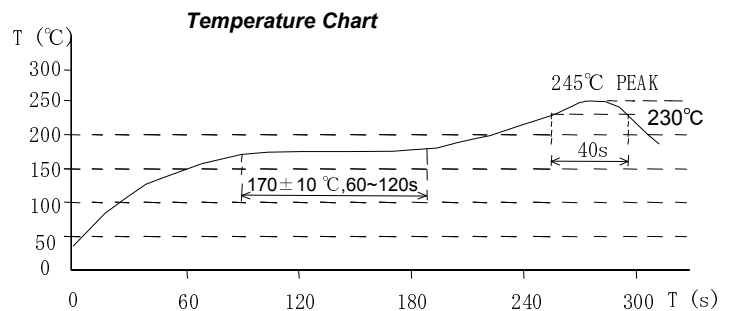
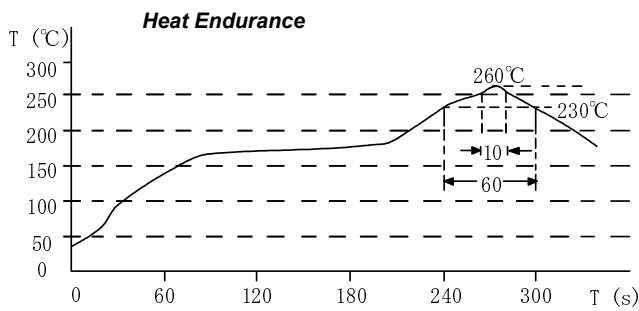
# SMD Power Inductor CDRH3D23/HP



## Saturation Current & Temperature Rise Graph



## Solder Reflow Condition



Please refer to the sales offices on our website - <http://www.sumida.com>

**Hong Kong**  
Tel.+852-2880-6781  
FAX.+852-2565-9600  
[sales@hk.sumida.com](mailto:sales@hk.sumida.com)

**Saitama(Japan)**  
Tel.+81-48-691-7300  
FAX.+81-48-691-7340  
[sales@jp.sumida.com](mailto:sales@jp.sumida.com)

**Chicago**  
Tel.+1-847-545-6700  
FAX. +1-847-545-6720  
[sales@us.sumida.com](mailto:sales@us.sumida.com)

**Shanghai**  
Tel.+86-21-5836-3299  
FAX.+86-21-5836-3266  
[shanghai.sales@cn.sumida.com](mailto:shanghai.sales@cn.sumida.com)

**Seoul**  
Tel.+82-2-6237-0777  
FAX.+82-2-6237-0778  
[sales@kr.sumida.com](mailto:sales@kr.sumida.com)

**Oberzell**  
Tel.+49-8591-937-0  
FAX. +49-8591-937-103  
[contact@eu.sumida.com](mailto:contact@eu.sumida.com)

**Shenzhen**  
Tel.+86-755-8291-0228  
FAX.+86-755-8291-0338  
[shenzhen.sales@cn.sumida.com](mailto:shenzhen.sales@cn.sumida.com)

**Singapore**  
Tel.+65-6296-3388  
FAX.+65-6841-4426  
[sales@sg.sumida.com](mailto:sales@sg.sumida.com)

**Neumarkt**  
Tel.+49-9181-4509-110  
FAX. +49-9181-4509-310  
[infocomp@eu.sumida.com](mailto:infocomp@eu.sumida.com)

**Taipei**  
Tel.+886-2-8751-2737  
FAX.+886-2-8751-2738  
[sales@tw.sumida.com](mailto:sales@tw.sumida.com)

**San Jose**  
Tel.+1-408-321-9660  
FAX.+1-408-321-9308  
[sales@us.sumida.com](mailto:sales@us.sumida.com)