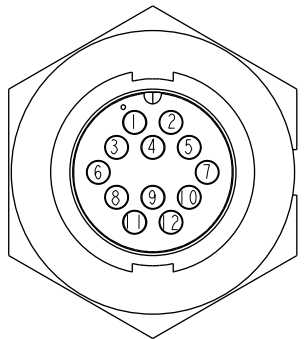
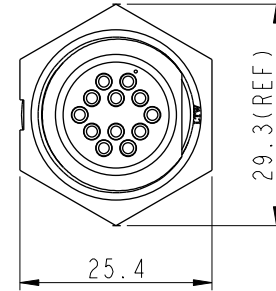
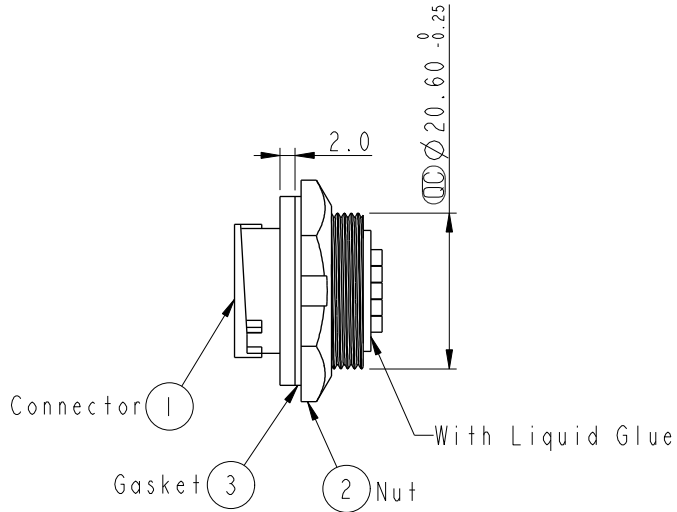
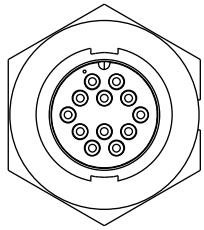


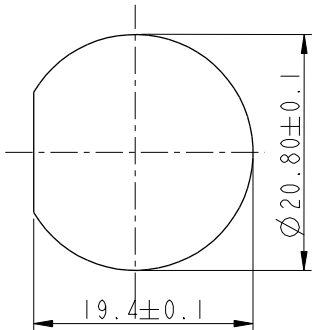
| | | | | |
|------|------------|------------|------|-------------|
| REV. | ECN NO. | DATE | SIGN | DESCRIPTION |
| B | LEN-8B0235 | 2008/10/03 | Shin | Add Note |

ALTW
CONFIDENTIAL
2012-04-16
R&D DEPT.

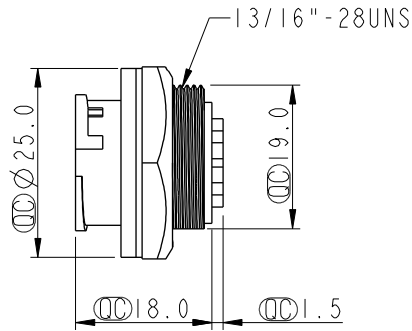
ALTW
DCC. DEPT.
CONFIDENTIAL
2012-05-31
ISSUED



Pin Assignments
Front View



Recommender Panel Cut-Out



Note:

* \varnothing Important Dimension To Check.

* Waterproof Rate: IP67

* Housing: Nylon+GF, Black

* Pin: Copper Alloy, Gold Plated.

* Nut: Nylon+GF, Black

* Gasket: EPDM, Black

$\triangle B$ * Use with waterproof cap or dust cap
Maximum Panel Thickness: 3.0mm

$\triangle B$ * Use without waterproof cap or dust cap
Maximum Panel Thickness: 4.0mm

| | | |
|------------|----------|--|
| UNIT:mm | | |
| TOLERANCE | .X ±0.25 | |
| .XX ±0.1 | | |
| .XXX ±0.05 | | |
| ANGLES | ±1° | |

| | | | |
|---|----------------|---------------------------------|--|
| TITLE Middle, Panel Lock 12Pin M Conn. M Pin | | | |
| SCALE 1:1 | SIZE A4 | SHEET 1 OF 1 | |
| REV. B | WC-REV. A.2 | \varnothing : Inspection item | |

Amphenol LTW
安費諾亮泰企業股份有限公司

| | | |
|------------------------------|-----------------------|--------------------|
| ITEM NO. CD-12RMMS-LC7001 | DRAWN BY SamChang | DATE 2012-04-16 |
| DWG NO. CD-12RMMS-LC7001 | CHECKED BY Jeffrey | DATE 2012-05-31 |
| CUSTOMER ALTW | APPROVED BY Lion | DATE 2012-05-31 |

THIS DOCUMENT IS SUBJECT TO CHANGE WITHOUT NOTICE. IT IS CONFIDENTIAL AND A PROPERTY OF AMPHENOL LTW. DISCLOSURE TO THIRD PARTY HAS TO BE AUTHORIZED BY AMPHENOL LTW.