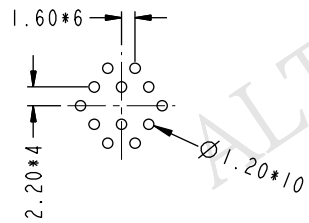
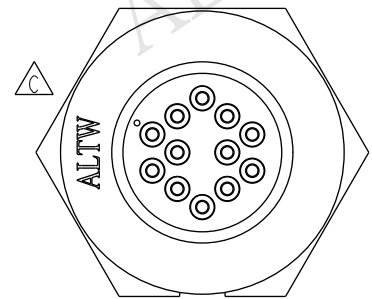
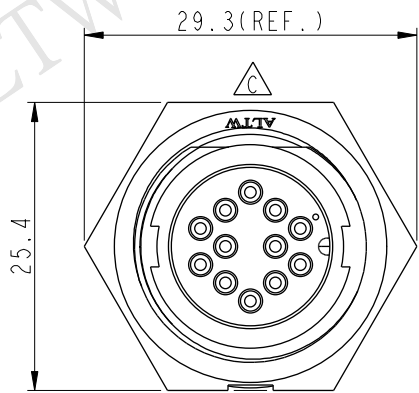
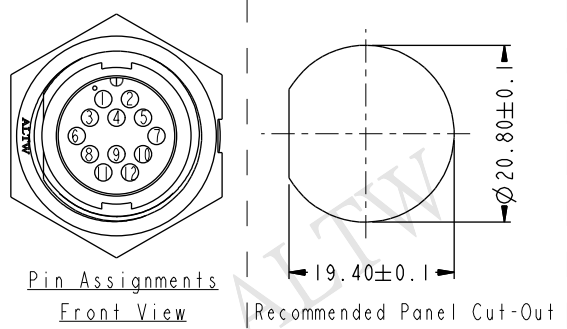
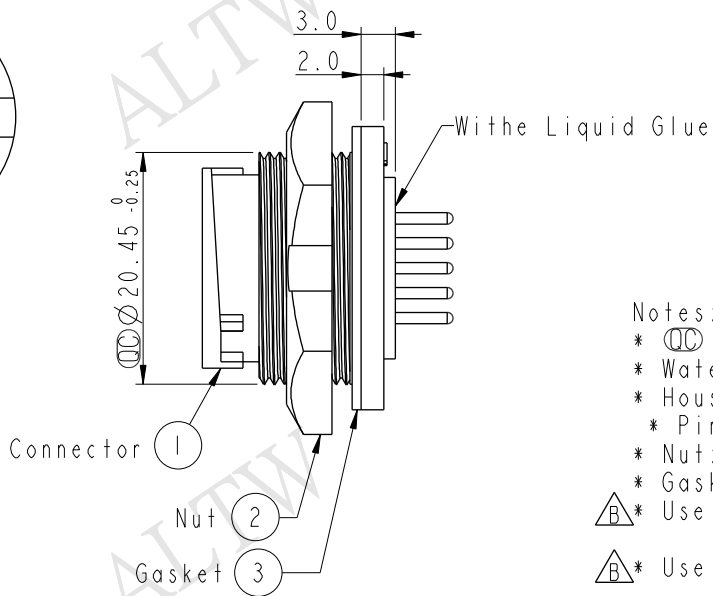
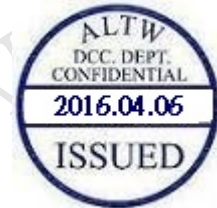
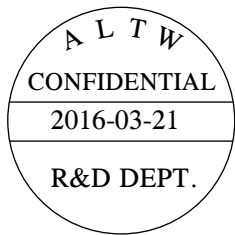


REV.	ECN NO.	DATE	SIGN	DESCRIPTION
B	LEN-8B0083	2008/09/25	Shin	Add Note
C	LEN1630619	2016/03/21	Ruru	Change Logo



12 Pin Male Connector
Male Pin PCB Layout



- Notes:
- * \varnothing Important Dimension To Check.
 - * Waterproof Rate: IP67
 - * Housing: Black, Nylon+GF
 - * Pin: Copper Alloy, Gold Plated
 - * Nut: Nylon+GF
 - * Gasket: EPDM
 - * $\triangle A$ Use with waterproof cap or dust cap
Panel Thickness Max: 3.0mm
 - * $\triangle B$ Use without waterproof cap or dust cap
Panel Thickness Max: 4.0mm

UNIT:mm		TITLE Middle Panel Lock 12Pin M Conn M Pin		Amphenol LTW 安費諾亮泰企業股份有限公司	ITEM NO CD-12PMMP-LC7001	DRAWN BY Ruru	DATE 2016-03-21
		TOLERANCE .X ±0.25 .XX ±0.1 .XXX ±0.05 ANGLES ±1°	SCALE 1:1		SIZE A4	SHEET 1 OF 1	DWG NO CD-12PMMP-LC7001
		REV. C	WC-REV. A.3	\varnothing : Inspection item	CUSTOMER ALTW	APPROVED BY Lisa	DATE 2016-03-21

THIS DOCUMENT IS SUBJECT TO CHANGE WITHOUT NOTICE. IT IS CONFIDENTIAL AND A PROPERTY OF Amphenol LTW. DISCLOSURE TO THIRD PARTY HAS TO BE AUTHORIZED BY Amphenol LTW.