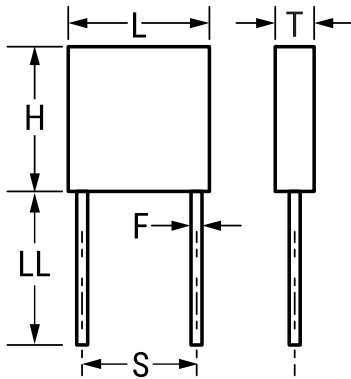


KEMET Part Number: C062G103J5G5CR
(CCR06CG103JR)

LDD Mil C0G PRF20, Ceramic, Military/High Reliability, 0.01 uF, 5%, 50 VDC, C0G, R (0.01%/1000 Hrs), Lead Spacing = 5.08mm



| Dimensions | |
|------------|------------------------|
| L | 7.37mm +/-0.25mm |
| H | 7.37mm +/-0.25mm |
| T | 2.29mm +/-0.25mm |
| S | 5.08mm +/-0.38mm |
| LL | 31.75mm MIN |
| F | 0.64mm +0.102/-0.051mm |

| Packaging Specifications | |
|--------------------------|-----------|
| Packaging: | Bulk, Bag |
| Packaging Quantity: | 100 |

| General Information | |
|--------------------------|--|
| Supplier: | KEMET |
| Series: | LDD Mil C0G PRF20 |
| Style: | Radial |
| RoHS: | No |
| Prop 65: | ⚠ WARNING: Cancer and reproductive harm - www.p65warnings.ca.gov . |
| REACH: | SVHC (Pb - CAS 7439-92-1) |
| Termination: | Lead (SnPb) |
| Failure Rate: | R (0.01%/1000 Hrs) |
| Testing and Reliability: | MIL-PRF-20 |
| Qualifications: | MIL-PRF-20 |
| Notes: | Lead Length Shown Is For Parts Supplied In Bulk, See Packaging Specifications For Lead Lengths When Not Provided In Bulk |

| Specifications | |
|----------------------------------|-----------|
| Capacitance: | 0.01 uF |
| Capacitance Tolerance: | 5% |
| Voltage DC: | 50 VDC |
| Dielectric Withstanding Voltage: | 125 V |
| Temperature Range: | -55/+125C |
| Temperature Coefficient: | C0G |
| Dissipation Factor: | 0.15% |
| Insulation Resistance: | 100 GOhms |

Statements of suitability for certain applications are based on our knowledge of typical operating conditions for such applications, but are not intended to constitute - and we specifically disclaim - any warranty concerning suitability for a specific customer application or use. This Information is intended for use only by customers who have the requisite experience and capability to determine the correct products for their application. Any technical advice inferred from this Information or otherwise provided by us with reference to the use of our products is given gratis, and we assume no obligation or liability for the advice given or results obtained.