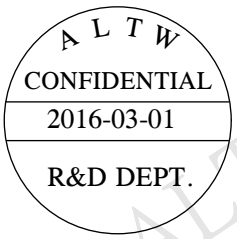


THIS DOCUMENT IS SUBJECT TO CHANGE WITHOUT NOTICE. IT IS CONFIDENTIAL AND A PROPERTY OF Amphenol LTW. DISCLOSURE TO THIRD PARTY HAS TO BE AUTHORIZED BY Amphenol LTW.

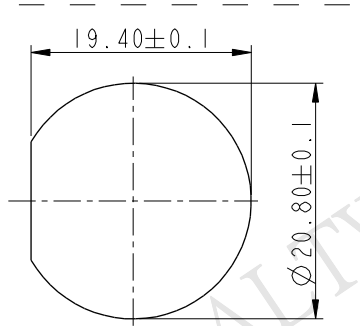
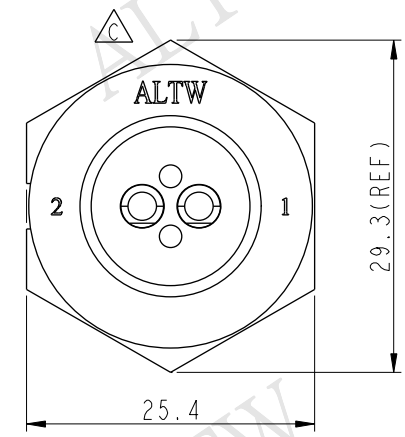
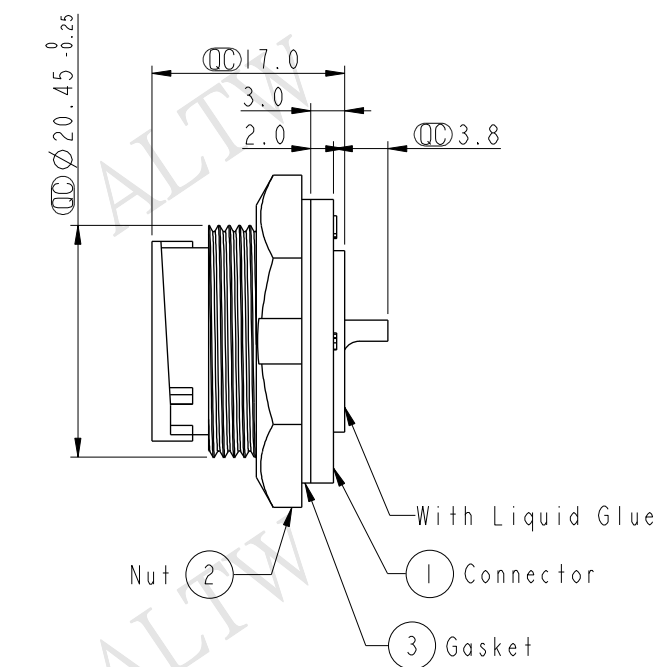
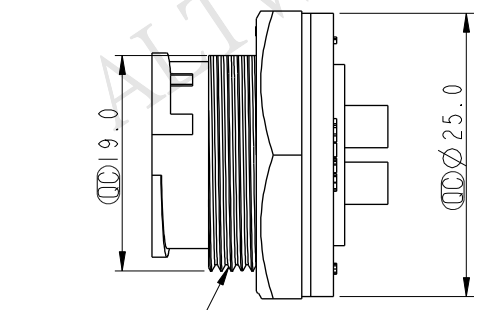
REV.	ECN NO.	DATE	SIGN	DESCRIPTION
B	LEN-8B0169	2008/09/25	Shin	Add Note
C	LEN1630257	2016/03/01	Ruru	Change Logo



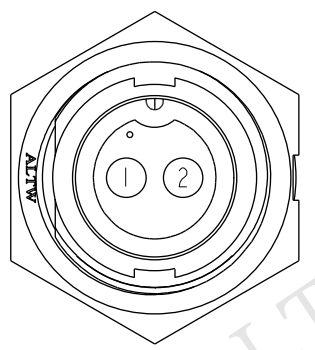
Note:

- \*  $\varnothing$  Important Dimension.
- \* Waterproof Rate: IP67
- \* Housing: Black, Nylon+GF
- \* Pin: Copper Alloy, Gold Plated
- \* Gasket: Black, EPDM
- \* Nut: Black, Nylon+GF.

- $\triangle A$ \* Use with waterproof cap or dust cap  
Panel Thickness Max: 3.0mm
- $\triangle B$ \* Use without waterproof cap or dust cap  
Panel Thickness Max: 4.0mm



Recommended Panel Cut-Out



Pin Assignments Front View

UNIT:mm	
TOLERANCE	
.X	±0.25
.XX	±0.1
.XXX	±0.05
ANGLES	±1°

TITLE MIDDLE Panel Lock 2Pin M Conn F Pin			
SCALE 1:1	SIZE A4	SHEET 1 OF 1	
REV. C	WC-REV. A.2	$\varnothing$ : Inspection item	

**Amphenol LTW**  
安費諾亮泰企業股份有限公司

ITEM NO. CC-02PMFS-LC7001	DRAWN BY Ruru	DATE 2016-03-01
DWG NO. CC-02PMFS-LC7001	CHECKED BY Rita	DATE 2016-03-01
CUSTOMER ALTW	APPROVED BY Lisa	DATE 2016-03-01