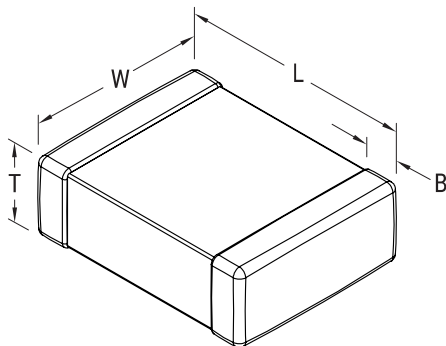


CBR-SMD RF COG, Ceramic, High Q, 18 pF, 5%, 25 V, COG, SMD, Fixed, RF, Ultra High Q, Low ESR, Class I, 0201



Dimensions

L	0.6mm +/-0.03mm
W	0.3mm +/-0.03mm
T	0.3mm +/-0.03mm
B	0.15mm +/-0.05mm

Packaging Specifications

Packaging:	T&R, 180mm, Plastic Tape
Packaging Quantity:	15000

General Information

Supplier:	KEMET
Series:	CBR-SMD RF COG
Style:	SMD Chip
Description:	SMD, Fixed, RF, Ultra High Q, Low ESR, Class I
Features:	Ultra High Q, Low ESR, Class I
RoHS:	Yes
Termination:	Tin
Marking:	No
Miscellaneous:	Minimum Q = 1160
Notes:	Solder Reflow Only
Chip Size:	0201

Specifications

Capacitance:	18 pF
Capacitance Tolerance:	5%
Voltage DC:	25 VDC
Dielectric Withstanding Voltage:	62.5 V
Temperature Range:	-55/+125C
Temperature Coefficient:	COG
Dissipation Factor:	0.132%
Aging Rate:	0% Loss/Decade Hour
Insulation Resistance:	10 GOhms
Quality Factor:	1160