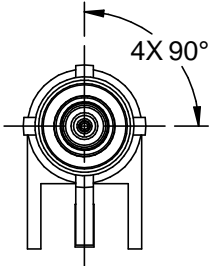
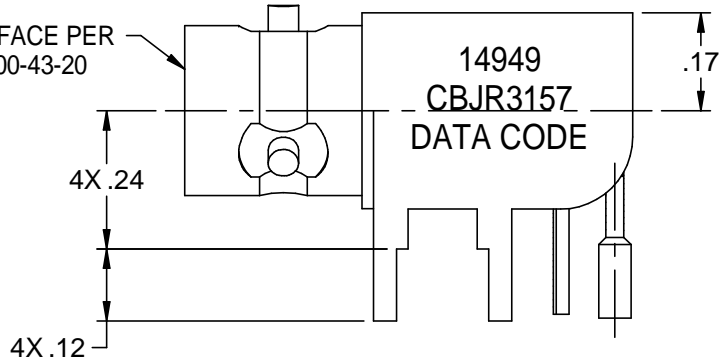


CBJR157

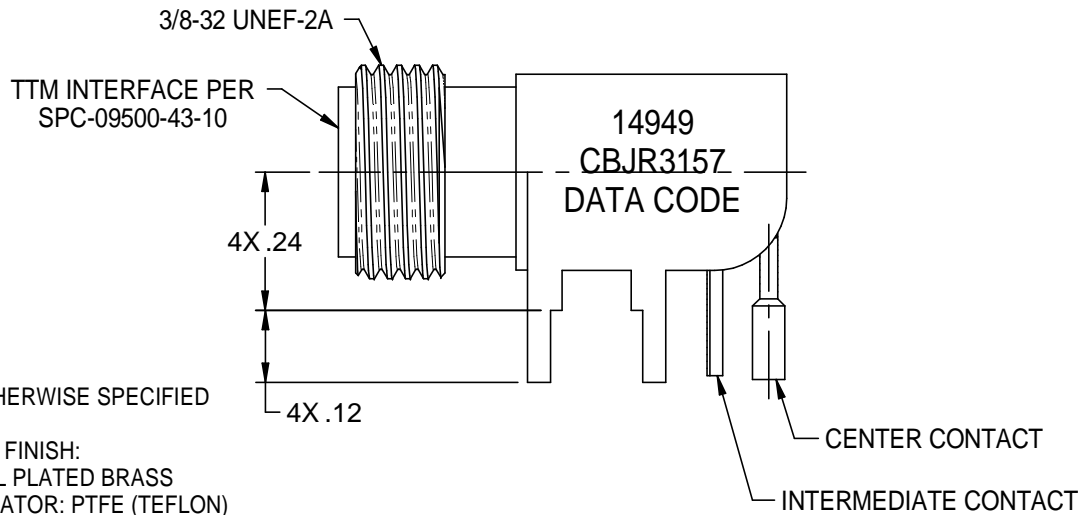
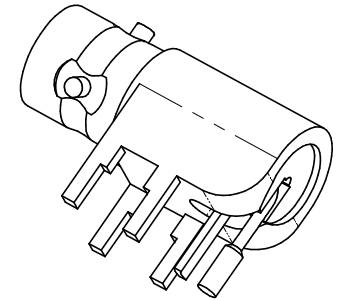
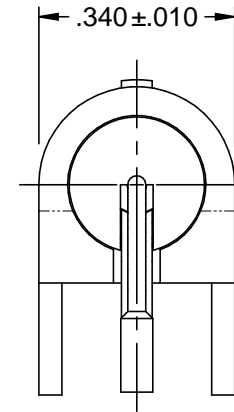


CBJR157FL

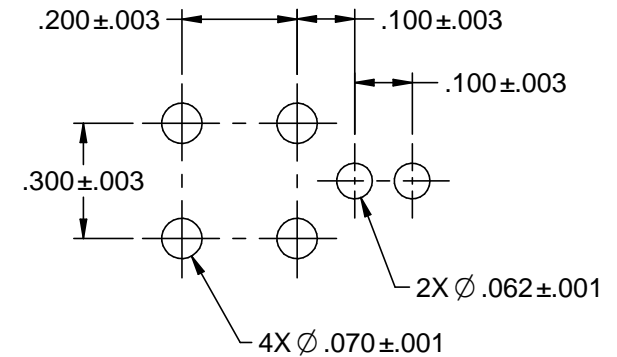
TRS INTERFACE PER  
SPC-09500-43-20



CBJR157 SHOWN



CBJR3157 SHOWN



RECOMMENDED MTG  
HOLE PATTERN

NOTES: UNLESS OTHERWISE SPECIFIED

1. MATERIALS AND FINISH:
  - 1.1 BODY: NICKEL PLATED BRASS
  - 1.2 OUTER INSULATOR: PTFE (TEFLON)
  - 1.3 INTERMEDIATE CONTACT: GOLD PLATED BERYLLIUM COPPER
  - 1.4 DIELECTRIC: PTFE (TEFLON)
  - 1.5 CENTER CONTACT: GOLD PLATED BERYLLIUM COPPER
  - 1.6 BODY LEGS: PRE-TINNED
2. ELECTRICAL:
  - 2.1 IMPEDANCE: NON-CONSTANT
  - 2.2 FREQUENCY (MAX): 500 MHz

	3RD ANGLE PROJECTION	<b>TROMPETER</b>	
		Title: TRS / TTM, PC, RIGHT ANGLE, JACK	
<small>This PROPRIETARY Document is property of Cinch Connectivity Solutions. It is confidential in nature, non-transferable, and issued with the clear understanding that it is not to be traced or copied without permission and is returnable upon demand.</small>	UNLESS OTHERWISE SPECIFIED	Model No. CBJRX157XX	
	.XX ± .02 .XXX ± .005 ANGLES ± 2°	Size A	DO NOT SCALE DRAWING
<small>INTERPRET DRAWING IN ACCORDANCE WITH ASME Y14.5-2009.</small>		Sheet 1 of 1	