

CB7765-000 ✓ ACTIVE

RAYCHEM | RAYCHEM RW-200

TE Internal #: CB7765-000

Black, 2:1, Single Wall Tubing, Shrinks To .187 in [4.75 mm],  
Crosslinked Fluoroelastomer, .375 in [9.53 mm] Inner Diameter,  
RAYCHEM RW-200

[View on TE.com >](#)



Heat Shrink Tubing > Single Wall RW 200: Heat Shrink Tubing, 2:1 Shrink Ratio



Primary Product Color: **Black**

Wall Type: **Single Wall**

Expanded Inside Diameter (Min): **9.53 mm [ .375 in ]**

Recovered Inside Diameter (Max): **4.75 mm [ .187 in ]**

Shrink Ratio: **2:1**

[All Single Wall RW 200: Heat Shrink Tubing, 2:1 Shrink Ratio \(12\)](#)

## Features

### Product Type Features

Wall Type	Single Wall
-----------	-------------

### Body Features

Material Systems Code	200
Fluid Type	Aviation Fuel, Hydraulic Fluid, Lubricating Oil, Water
Primary Product Color	Black
Shrink Ratio	2:1
Primary Product Material	Crosslinked Fluoroelastomer
Flexibility	Flexible

### Dimensions

Recovered Wall Thickness (Nominal)	1.15 mm[.045 in]
Expanded Inside Diameter (Min)	9.53 mm[.375 in]
Recovered Inside Diameter (Max)	4.75 mm[.187 in]
Tubing Size Range	4.75 - 9.53 mm[.187 - .373 in]

### Usage Conditions

Shrink Temperature (Min)	175 °C
Tubing Flammability Type	Flame-Retardant



Operating Temperature Range	-40 - 200 °C
Recovery Temperature	175 °C

**Operation/Application**

Mechanical Resistance	Fluids
-----------------------	--------

**Packaging Features**

Packaging Method	Piece
------------------	-------

**Other**

Meets Low Outgassing Requirements	No
Product Source	US

**Product Compliance**

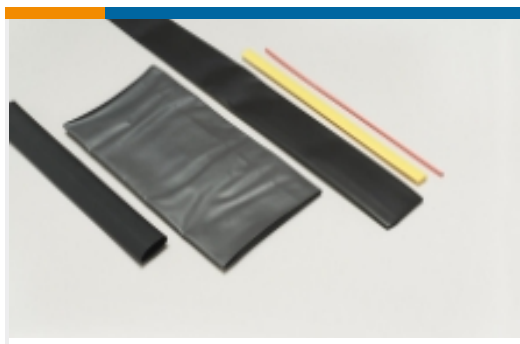
[For compliance documentation, visit the product page on TE.com>](#)

EU RoHS Directive 2011/65/EU	Compliant
EU ELV Directive 2000/53/EC	Compliant
China RoHS 2 Directive MIIT Order No 32, 2016	No Restricted Materials Above Threshold
EU REACH Regulation (EC) No. 1907/2006	Current ECHA Candidate List: JAN 2024 (240) Candidate List Declared Against: JAN 2024 (240) Does not contain REACH SVHC
Halogen Content	Low Bromine/Chlorine - Br and Cl < 900 ppm per homogenous material. Also BFR /CFR/PVC Free
Solder Process Capability	Not applicable for solder process capability

Product Compliance Disclaimer

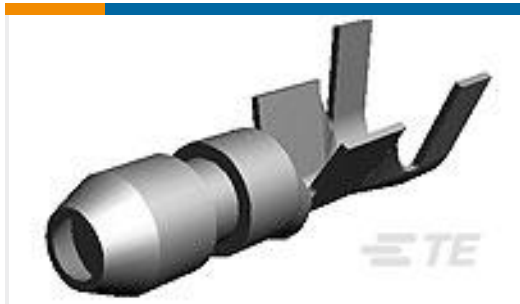
This information is provided based on reasonable inquiry of our suppliers and represents our current actual knowledge based on the information they provided. This information is subject to change. The part numbers that TE has identified as EU RoHS compliant have a maximum concentration of 0.1% by weight in homogenous materials for lead, hexavalent chromium, mercury, PBB, PBDE, DBP, BBP, DEHP, DIBP, and 0.01% for cadmium, or qualify for an exemption to these limits as defined in the Annexes of Directive 2011/65/EU (RoHS2). Finished electrical and electronic equipment products will be CE marked as required by Directive 2011/65/EU. Components may not be CE marked. Additionally, the part numbers that TE has identified as EU ELV compliant have a maximum concentration of 0.1% by weight in homogenous materials for lead, hexavalent chromium, and mercury, and 0.01% for cadmium, or qualify for an exemption to these limits as defined in the Annexes of Directive 2000/53/EC (ELV). Regarding the REACH Regulation, the information TE provides on SVHC in articles for this part number is based on the latest European Chemicals Agency (ECHA) 'Guidance on requirements for substances in articles' posted at this URL: <https://echa.europa.eu/guidance-documents/guidance-on-reach>

**Also in the Series | RAYCHEM RW-200**



Heat Shrink Tubing(24)

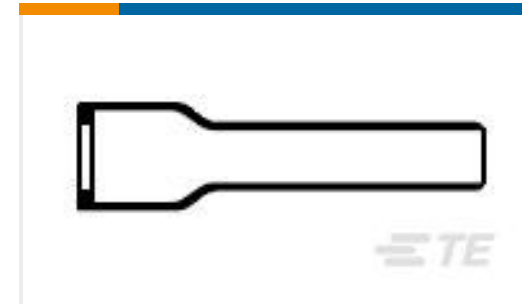
## Customers Also Bought



TE Part # 170003-5  
SHUR PLUG 156 REC 20-14 AWG TPBR



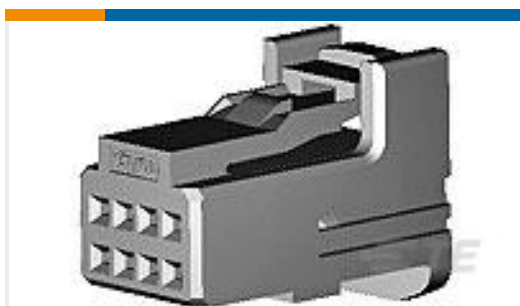
TE Part # 2035363-3  
1X6 GENERATION Y ASSY KEY C



TE Part # 811138-000  
202D211-12-0



TE Part # CV21364001  
RW-175-E-3/8-X-SP



TE Part # 1717109-2  
0.64 III 16POS PLUG ASSY



TE Part # 2822362-2  
070 EJ MK-2 SENSOR PLUG ASSY 2P GREEN



TE Part # 2035363-1  
1X6 GENERATION Y ASSY KEY B



TE Part # 1456985-4  
1X6 Fem unsealed LP assy Key C w /CPA



TE Part # 184393-2  
2X2 PLUG ASSEMBLY, B KEY, GRAY



TE Part # RSM00-19-33S  
RECP ASSY

## Documents

### Product Drawings

[RW-200-3/8-0-SP](#)

English

### Datasheets & Catalog Pages

[1654025\\_Sec3\\_RW-200\\_RW-200E](#)

English

[raychem-tubing-product-selection-guide](#)

English



---

**Product Specifications**

**Tubing Customer Specification Report**

English

**Raychem Fluoroelastomer Tubing Flexible, Fluid Resistant, Heat-Shrinkable**

English